

提示:

- 1、本图册内所涉及的有关参数仅提供参考，最终以图纸及型式试验报告为准。
- 2、图册图片颜色与实物可能存在色差，以实物为准。
- 3、涉及所有解释权归本公司所有。

Reminder:

1. The relevant parameters mentioned in this atlas are for reference only, and the final drawings and type test reports shall prevail.
2. There may be color differences between the pictures in the brochure and the actual product, and the actual product shall prevail.
3. All interpretation rights belong to our company.



微信公众号

选择华辉
我们承诺你安全

Select HUAHUI
We promise you safety

广东华辉电梯配件有限公司

GUANGDONG HUAHUI ELEVATOR ACCESSORY CO.,LTD

佛山生产基地地址: 佛山市南海区桂城街道三山东区村港口路西侧
Address : West of Gangkou Road, Dong qu SanShan,Guicheng street,Nanhai district,
Foshan City,Guangdong Province,P.R.China.

肇庆生产基地地址: 肇庆市鼎湖区永安镇永安工业区永盛路9号
Address : No.9 Yongsheng Road, Yong'an Industrial Zone, Yong'an Town, Dinghu
District, Zhaoqing City, Guangdong Province, P.R.China

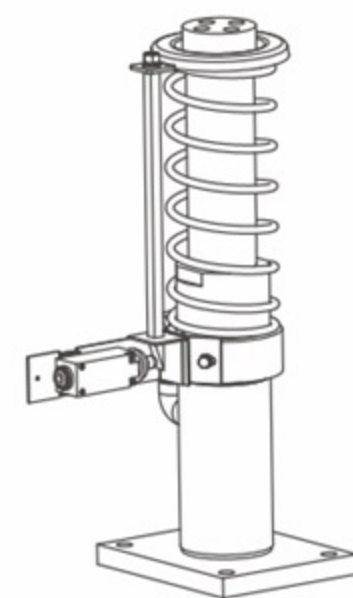
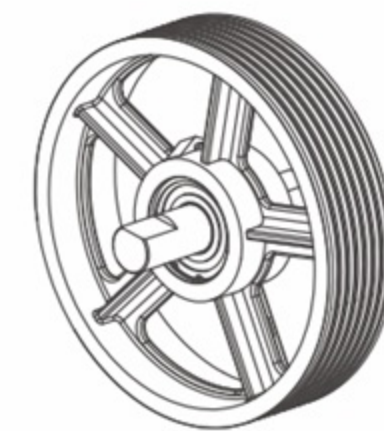
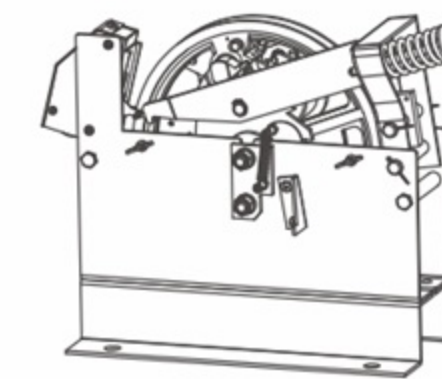
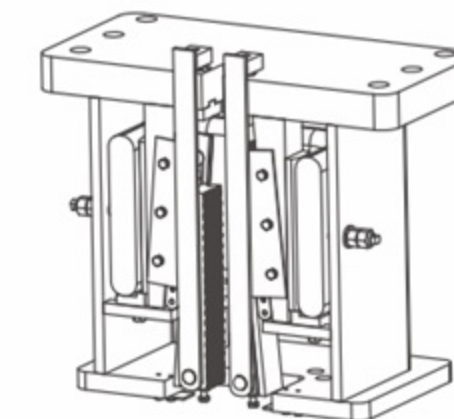
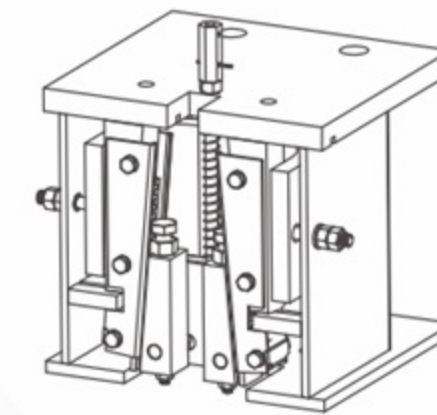
电话(Tel): 0757-81819357 86797580

传真(Fax): 0757-86797095 81819351

网址(URL): www.gdhhdtpj.com

邮箱(E-mail): FSHHCZL@163.com

2026 • 广东华辉电梯配件有限公司



2026 Edition



HUAHUI
广东华辉

省级专精特新企业
国家高新技术企业
ISO 9001认证企业
ISO 14001认证企业
ISO 45001认证企业

超大载重电梯安全部件

导向轮优质方案供应商

专注
电梯配件



40
多年

Company Profile

公司简介

广东华辉电梯配件有限公司是一家拥有研发制造电梯升降设备安全保护装置40多年底蕴的公司。最早于1983年成立于东莞，1986年迁至佛山南海，当时名为粤华电梯配件厂，1994年7月更名为华辉电梯设备厂，于2010年8月变更为广东华辉电梯配件有限公司。我们专注于升降设备安全保护装置研发和制造，覆盖行业包含电梯升降设备、军工升降设备、船舶升降设备、特殊工况升降平台等多个领域。

我司获评“国家高新技术企业”、“广东省专精特新企业”、“国家科技型企业”、“国家创新型企业”、“工程技术研究中心”，通过了“ISO9001质量管理体系认证”、“CE欧盟认证”、“EAC欧亚认证”。作为具备独立研发能力与自主知识产权的自主品牌企业，公司累计获得发明专利13项，高新技术产品6项，实用新型专利50项。

从2017年开始我司重点攻坚大吨位、高速度、防爆等特殊工况安全钳，成功研发并可实现量产总允许质量30吨、额定速度1m/s的超大载重安全钳和多种吨位载重的防爆安全钳，并且已应用在电梯大型升降设备、军工装备等设备上，该项研发成果已是行业内领军级别。

公司拥有佛山、肇庆两大生产基地，共有建筑面积50000多平方米，配有速度10米每秒、载荷二十多吨的试验塔，设有数十条自动生产及自动焊接线、五轴加工中心、机械手数控加工机床、CNC加工设备中心、超大功率激光机、百吨数控折弯机等先进的加工设备，可年产电梯安全部件高达350000台套。

我们一直以优质的产品和上乘的服务在国内、国外客户中获得高度的认可，随着我们产品的硬核输出到韩国(South Korea)、越南(Vietnam)、俄罗斯(Russia)、欧洲(Europe)、非洲(Africa)、东南亚(Southeast Asia)、中东(Middle East)等国家与地区，广东华辉电梯配件有限公司现已是国内外知名的电梯安全部件和升降设备安全保护装置研发制造企业。

华辉始终遵循“信誉第一，用户至上”的原则，竭诚为国内外各位客户提供一流的产品和服务，共同为电梯事业的美好发展愿景而努力奋斗！

Guangdong Huahui Elevator Parts Co., Ltd. is a professional manufacturer with over 40 years of profound heritage in the R&D and manufacturing of safety protection devices for elevators and lifting appliances.

Established in Dongguan in 1983, the enterprise relocated to Nanhai District, Foshan in 1986, operating under the name Yuehua Elevator Parts Factory. It was renamed Huahui Elevator Equipment Factory in July 1994, and officially restructured and registered as Guangdong Huahui Elevator Parts Co., Ltd. in August 2010. We focus exclusively on the design, development and mass production of safety protection systems for lifting equipment, with mature applications covering commercial elevators, military lifting equipment, marine lifting devices, and special-condition lifting platforms. The company has been successively accredited as National High-Tech Enterprise, Guangdong Provincial Specialized, Refined, Distinctive and Innovative Enterprise, National Science and Technology Enterprise, National Innovative Enterprise, and is qualified as an Engineering Technology Research Center. We have obtained authoritative certifications including ISO9001 Quality Management System Certification, EU CE Certification and EAC Eurasian Conformity Certification. As an independent brand with full proprietary R&D capacity and independent intellectual property rights, Huahui holds a total of 13 authorized invention patents, 6 certified high-tech products, and 50 utility model patents.

Since 2017, the company has focused on core technical breakthroughs in heavy-duty, high-speed and explosion-proof safety gears for extreme working conditions. We have successfully developed and achieved stable mass production of ultra-heavy-load safety gears with a total permissible mass of 30 tons and rated speed of 1m/s, as well as full-series explosion-proof safety gears for various load ratings. These core products have been widely applied in large-scale lifting equipment and military lifting installations, with technical performance reaching the industry-leading level worldwide.

Huahui operates two large-scale production bases: Foshan Base and Zhaoqing Base, with a total construction area of more than 50,000 square meters. Equipped with a professional elevator test tower with a maximum running speed of 10m/s and load capacity exceeding 20 tons, the factory is furnished with dozens of automated production lines, automatic welding lines, and high-precision processing equipment including 5-axis machining centers, robotic CNC machine tools, centralized CNC processing systems, high-power laser cutters, and 100-ton CNC press brakes. Our annual production capacity of elevator safety components reaches 350,000 sets.

With reliable product performance and standardized professional services, we have earned wide recognition and high reputation from domestic and overseas customers. Our products are exported to South Korea, Vietnam, Russia, Europe, Africa, Southeast Asia, the Middle East and other regions across the globe. Today, Guangdong Huahui Elevator Parts Co., Ltd. has grown into a well-known international enterprise dedicated to R&D and manufacturing of elevator safety components and lifting equipment safety protection devices.

Adhering to the core principle of "Reputation First, Customer Supreme", Huahui is committed to providing top-tier products and professional services to global customers, and jointly promoting the steady and high-quality development of the global elevator and lifting equipment industry.



华辉肇庆生产基地

Enterprise Honor
企业荣誉



Tensioning Device Series

诚信铸造优质产品

限速器 OverSpeed Governor

型号 Type	额定速度V Rate speed	提拉力F(N) Pull force	钢丝绳直径(mm) Wire rope diameter	绳轮节圆直径 Sheave pitch diameter	页次 Page
XSG305	0.5 ~ 1.0/3.0/3.5	1200 ~ 2850	∅8 / ∅10	∅305	09
XSG603	0.25 ~ 1.75	850 ~ 1450	∅6	∅200	10
XSG607-B	0.25 ~ 2.5	1000 ~ 2000	∅8	∅240	11
XSG607	0.25 ~ 2.0	850 ~ 1950	∅8	∅240	12
XSG602	0.4 ~ 1.75	650 ~ 1750	∅8	∅240	13
XSG606	0.4 ~ 1.0	550 ~ 1450	∅6	∅180	14
XSG606B	0.4 ~ 1.0	600 ~ 1450	∅6	∅150	15
XSG605	0.4 ~ 2.0	850 ~ 1750	∅6	∅200	16
XSG608	0.25 ~ 3.0	650 ~ 1950	∅8	∅240	17
XSG502	0.25 ~ 1.75	800 ~ 1500	∅6	∅200	18

涨紧装置 Tension device

型号 Type	结构型式 Style	涨紧力F(N) Tension force	钢丝绳直径(mm) Wire rope diameter	绳轮节圆直径 Sheave pitch diameter	页次 Page
HHZJ01	垂直式	210 ~ 480	∅6 / ∅8	∅180 / ∅200 / ∅240	19
HHZJ02	垂直式A型	210 ~ 480	∅6 / ∅8	∅180 / ∅200 / ∅240	20
HHZJ03	摆臂式	250 ~ 400	∅6 / ∅8	∅180 / ∅200 / ∅240	21
HHZJ04	垂直式	300 ~ 530	∅8 / ∅10	∅305	22
HHZJ05	垂直式	>300	∅6 / ∅8	∅200 / ∅240	23
HHTZJ150	弹簧型	300 ~ 534	∅6	∅150	24
HHTZJ180	弹簧型	300 ~ 534	∅6	∅180	24
HHTZJ200	弹簧型	300 ~ 534	∅6	∅200	24
HHTZJ240	弹簧型	300 ~ 534	∅8	∅240	24
HHTZJ200-B	弹簧型	300 ~ 534	∅6	∅200	25

渐进式安全钳 Progressive type safety gear

型号 Type	认证类别 Certification	额定速度V(m/s) Rated speed	允许质量P+Q (kg) Allowable gross mass	导轨宽度 (mm) Width of guide rails	页次 Page
QJ100	GB	0.25 ~ 2.5	800 ~ 3000	10、16	26
QJ101/QJ103	GB	0.5 ~ 2.5	853 ~ 4259/2000 ~ 6500	10、16	27
QJ102/QJ102A	GB、CE/GB	0.25 ~ 2.5	1200 ~ 4000/700 ~ 3000	10、16/10 ~ 16	28
QJ105/QJ107	GB/GB、CE	0.5 ~ 2.5	2500 ~ 4200/4500 ~ 6500	10、16	29
QJ107B	GB	0.25 ~ 1.0	3500 ~ 9500	10、16、19	30
FB107	GB	0.5 ~ 1.0	2500 ~ 6500	10、16	31
QJ108	GB	0.25 ~ 1.75	10000 ~ 22000	16、19、28.6、31.75	32
QJ109	GB、CE	0.25 ~ 2.0	7000 ~ 12000	16、19、28.6、31.75	33
QJ110	GB	1.0 ~ 3.0	11300	16、19	34
QJ112	GB、CE	3.0 ~ 4.0	2500 ~ 4500	10、16、19	35
QJ113	GB	0.25 ~ 1.0	17000 ~ 30000	16、19、28.6、31.75	36
AQJ167	GB	0.25 ~ 2.5	1000 ~ 4000	10、16	37
AQJ313	GB	0.25 ~ 2.5	700 ~ 3000	10、16	38

瞬时式安全钳 Instantaneous safety gear

型号 Type	认证类别 Certification	额定速度V(m/s) Rated speed	允许质量P+Q (kg) Allowable gross mass	导轨宽度 (mm) Width of guide rails	页次 Page
QSG1500	GB	≤0.63	≤1500	10	40
QSX102	GB	≤0.63	≤4500	10、16	41
QSX103	GB	≤0.63	≤6400	10、16	42
QSX105	GB	≤0.63	≤15000	16、19	43
QSX106	GB/CE	≤0.63	≤19500	16、19、28.6、31.75	44
QS201	GB	≤0.63	≤13500	15.88、16	45
QS202	GB	≤0.63	≤24000	19	46

提拉机构 Lifting mechanism

型号 Type	适用梁宽(mm) Applicable beam width	电梯类别 The elevator category	页次 Page
HHTL01	220 ~ 224	客梯	47
HHTL02	220 ~ 224	客梯	48
HHTL03	180 ~ 390	货梯、汽车梯	49
HHTL03B	180 ~ 390	货梯、汽车梯	50
HHTL03B_D02	180 ~ 390	货梯、汽车梯	51
HHTL03D	180 ~ 390	客梯、货梯、汽车梯	52
HHTL04	180 ~ 320	客梯、货梯	53
HHTL05	/	客梯、货梯	54
HHTL06	170	别墅梯	55
HHTL06E	160	别墅梯、客梯	56

耗能型缓冲器 Hydraulic Buffer

型号 Type	认证类别 Certification	额定速度V(m/s) Rated speed	允许质量P+Q (kg) Allowable gross mass	缓冲行程H1 Stroke(mm)	自由高度H(mm) Free height	页次 Page
HYF80	GB	≤1.0	500 ~ 3000	80	336	57
HYF160	GB	≤1.5	500 ~ 3000	160	493	57
HYF210	GB	≤1.75	600 ~ 3000	210	604	57
HYF275	GB	≤2.0	500 ~ 3000	275	788	57
HYF425	GB	≤2.5	900 ~ 3500	425	1128	57
HYF70	GB	≤1.0	900 ~ 4300	70	312	58
HYF70B	GB	≤1.0	2500 ~ 6000	70	300	58
HYF175	GB	≤1.6	900 ~ 4500	175	550	58
HYF640	GB	≤3.0	1300 ~ 3500	640	1691	58
HYF1080	GB	≤4.0	1250 ~ 4550	1080	2908	58
HYF80B	GB	≤1.0	800 ~ 3000	80	280	59
HYF175B	GB	≤1.6	800 ~ 3000	175	526	59
HYF210B	GB	≤1.75	800 ~ 3000	210	607	59
HYF65	GB	≤1.0	950 ~ 5600	70	250	60
HYF65B	GB	≤1.0	900 ~ 3500	70	235	60
HYF80C	GB	≤1.0	900 ~ 4000	80	300	61
HY160C	GB	≤1.5	900 ~ 4200	160	484	61
HYF210C	GB	≤1.75	900 ~ 4200	210	610	61
HYF25D	GB	≤0.63	200 ~ 1800	30	123	62
HYF50D	GB	≤0.63	2000 ~ 5000	30	123	62
HYF80D	GB	≤1.0	600 ~ 3500	70	205	62
HYF175D	GB	≤1.6	600 ~ 3500	175	470	62
HYF210D	GB	≤1.75	600 ~ 3500	210	530	62

轿厢意外移动保护装置/轿厢上行超速度保护装置 UCMP/ACOP

型号 Type	认证类别 Certification	额定速度V(m/s) Rated speed	额定载量(kg) Rated load	系统质量(kg) System mass	页次 Page
HH307	GB	0.25 ~ 1.0	630 ~ 5000	1400 ~ 14700	63
SJJJ-UCMP-SJ	GB	0.5 ~ 2.0	800 ~ 3000	2400 ~ 9100	63

导靴 Tension device

型号 Type	额定速度V(m/s) Rated speed	额定载量(kg) Rated load	适用导轨宽度K(mm) Width of guide rails	电梯类别 Elevator Classification	页次 Page
YP50	≤2.5	≤2000	10, 16	客梯	65
YP60	≤2.0	≤1600	10, 16	客梯	65
YP60B	≤2.0	≤1600	10, 16	客梯	65
YP77	≤1.75	≤1600	10, 16	客梯	66
YP85	≤1.75	≤1350	10, 16	客梯	66
YP100	≤1.75	≤1600	10, 16	客梯	66
HH102A	≤1.0	≤2000	10, 16	货梯	67
HH101	≤0.63	≤1000	10, 16, 16.4	货梯	67
HH102	≤0.63	≤2000	10, 16, 16.4	货梯	67
HH103	≤0.63	≤3000	10, 16, 16.4	货梯	67
HH104	≤0.63	≤5000	10, 16, 16.4	货梯	67
HH104C	≤3.0	≤5000	10, 16, 19	货梯	68
HH102B	≤1.0	≤3000	10, 16, 16.4	货梯	68
HH103B	≤2.0	≤5000	10, 16	货梯	69
HH103C	≤2.0	≤6000	10, 16	货梯	69
HH103D	≤1.0	≤15000	10, 16	货梯	69
HH104D	≤1.0	≤3000	10, 16	货梯	70
HH105	≤0.63	≤15000	16, 19	货梯	70
HH105A	≤1.75	≤15000	16, 19, 28.6, 31.75	货梯	70
HH105B	≤0.63	≤15500	16, 19	货梯	71
HH106	≤3.5	≤2000	10 ~ 16	客梯	71
HH107/107B	≤3.5	≤2000	10 ~ 16	客梯	71
HH109	≤0.63	≤50000	16, 19, 28.6, 31.75	货梯	72
HH108	≤1.75	≤630	10, 16	客梯/家用梯	72
HH110	≤1.75	≤630	10 ~ 16	客梯/家用梯	72
YP20	≤1.0	≤630	10, 16	家用梯	73
YP21	≤1.0	≤630	10, 16	家用梯	73
YP22	≤1.0	≤630	10, 16	家用梯	74
YP23	≤1.0	≤630	10, 16	家用梯	74
HH113	≤1.75	≤630	10, 16.4	货梯/客梯(对重/副轨)	75
HH114	≤1.0	≤830	10, 16.4	货梯/客梯(对重/副轨)	75
HH116	≤1.75	≤630	10, 16	货梯/客梯	75

绳头组合 Rope hitch

型号 Type	认证类别 Certification	钢丝绳直径(mm) Diameter of wire rope	钢丝绳最小破断负荷(KN) The minimum breaking load of wire ropes	页次 Page
∅6/∅8	GB	∅6/∅8	17.8/28.1	76
∅10	GB	∅10	44	76
∅12	GB	∅12	63.3	76
∅13	GB	∅13	74.3	76
∅16	GB	∅16	113	77
HH225-∅8	GB	∅8	28.1	77
HH226-∅10	GB	∅10	44	77

导向轮/对重轮/轿顶轮装置 Deflection Sheave

型号 Type	减震类型 Damping type	额定速度V(m/s) Rated speed	允许质量P+Q (kg) Allowable gross mass	页次 Page
HH227	/	≤10	≤15000	78
HH229-A	弹簧型	≤3.0	≤3600	79
HH229-B	橡胶型	≤1.75	≤6500	79
HH229-C	四支螺杆橡胶弹簧型	≤1.75	≤2800	79
HH229-D	弹簧型	≤1.75	≤2800	80
HH230-A	弹簧型	≤2.5	≤3600	80
HH230-B	橡胶型	≤2.5	≤6400	80

其他配件 Other accessories

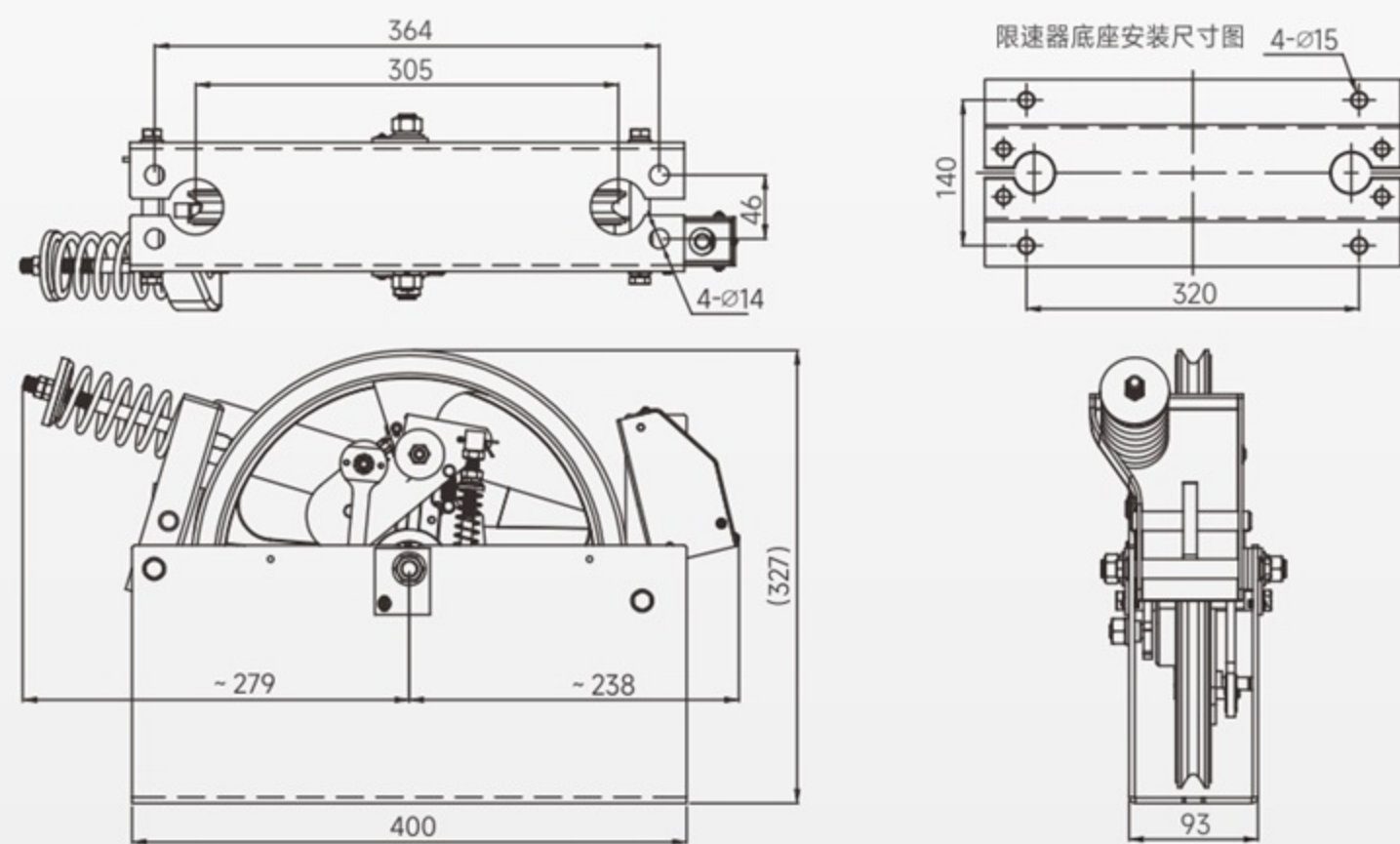
油杯, 接油盒, 井道灯, 主机减震胶, 轿厢减震胶, 平层支架等

XSG305

限速器
Speed Governor



安装示意图 Installation diagram



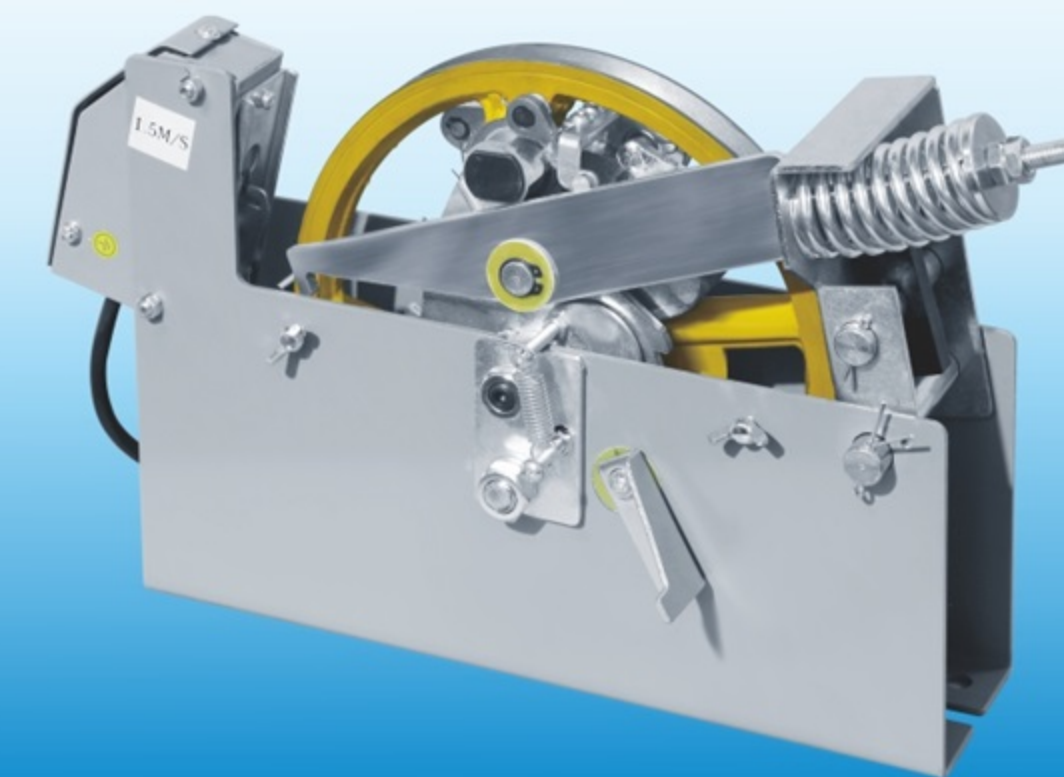
技术参数 Technical specification

型号 Type	额定速度V Rate speed	提拉力F(N) Pull force	钢丝绳直径(mm) Wire rope diameter	绳轮节圆直径 Sheave pitch diameter	认证类别 Certification
XSG305-10	0.5-1.0 m/s	1200 ~ 2850	φ10	φ305	GB
XSG305-30	3.0 m/s	1200 ~ 2850	φ8	φ305	GB
XSG305-35	3.5 m/s	1200 ~ 2850	φ8	φ305	GB

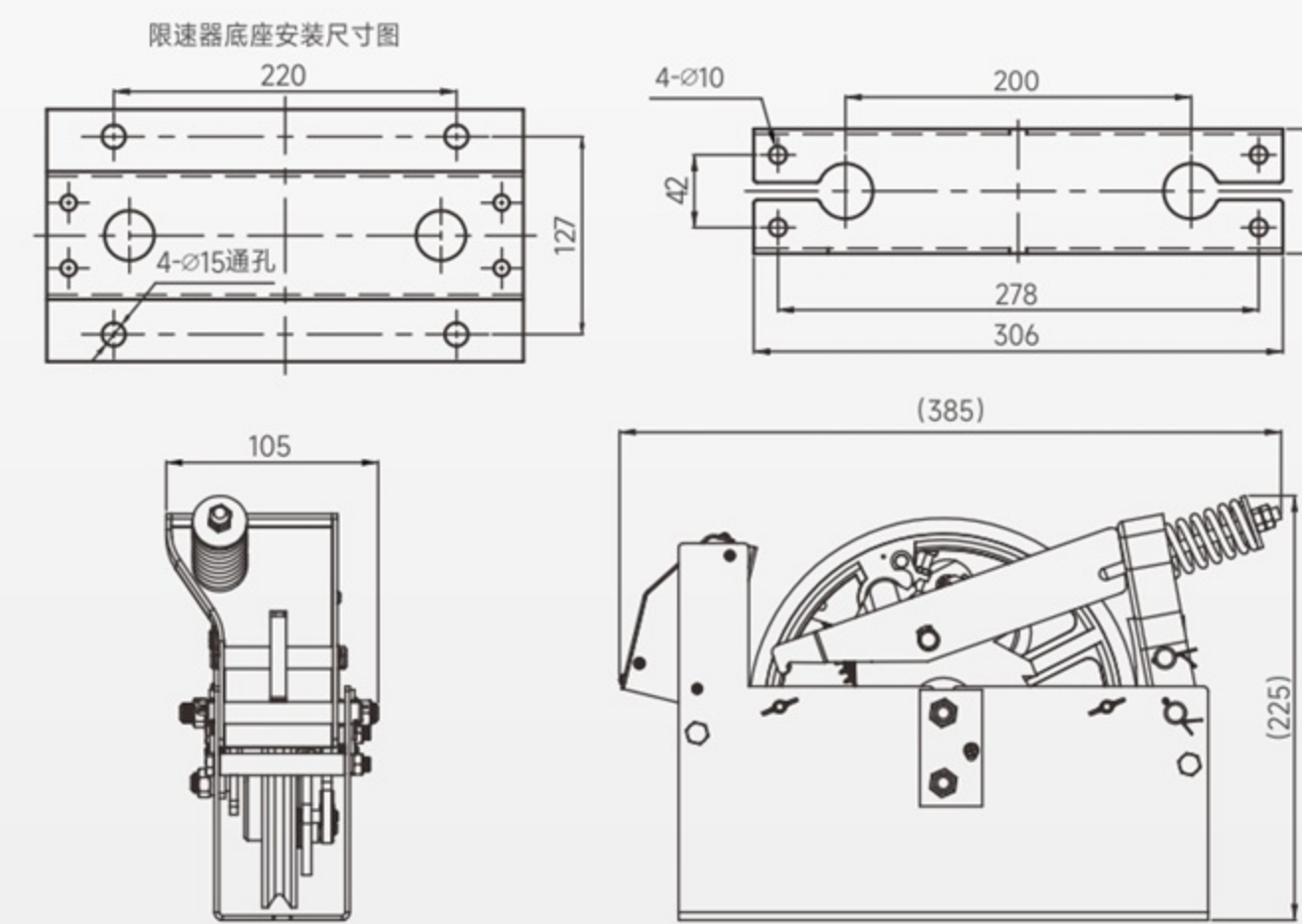
- ① 用于有机房电梯，控制单向安全钳动作(轿厢下行或对重下行)
Used for elevator with machine room, control one-way safety gear action (car down or counterweight down)
- ② 标配用于轿厢侧，用于对重侧时，下单注明用于对重侧
The standard configuration is used for the lift car side

XSG603

限速器
Speed Governor



安装示意图 Installation diagram



技术参数 Technical specification

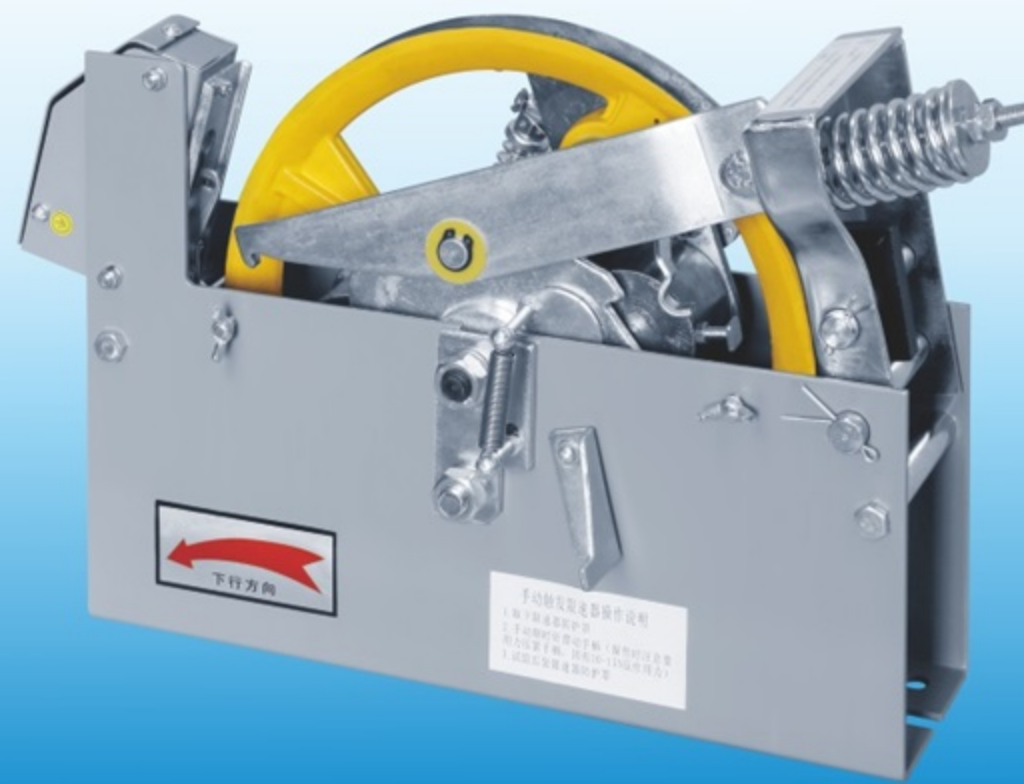
型号 Type	额定速度V Rate speed	提拉力F(N) Pull force	钢丝绳直径(mm) Wire rope diameter	绳轮节圆直径 Sheave pitch diameter	认证类别 Certification
XSG603-063	≤0.63 m/s	850 ~ 1450	φ6	φ200	GB
XSG603-10	0.75-1.0 m/s	850 ~ 1450	φ6	φ200	GB
XSG603-15	1.5 m/s	850 ~ 1450	φ6	φ200	GB
XSG603-175	1.75 m/s	850 ~ 1450	φ6	φ200	GB

- ① 用于有机房电梯，控制单向安全钳动作(轿厢下行或对重下行)
Used for elevator with machine room, control one-way safety gear action (car down or counterweight down)
- ② 标配用于轿厢侧，用于对重侧时，下单注明用于对重侧
The standard configuration is used for the lift car side

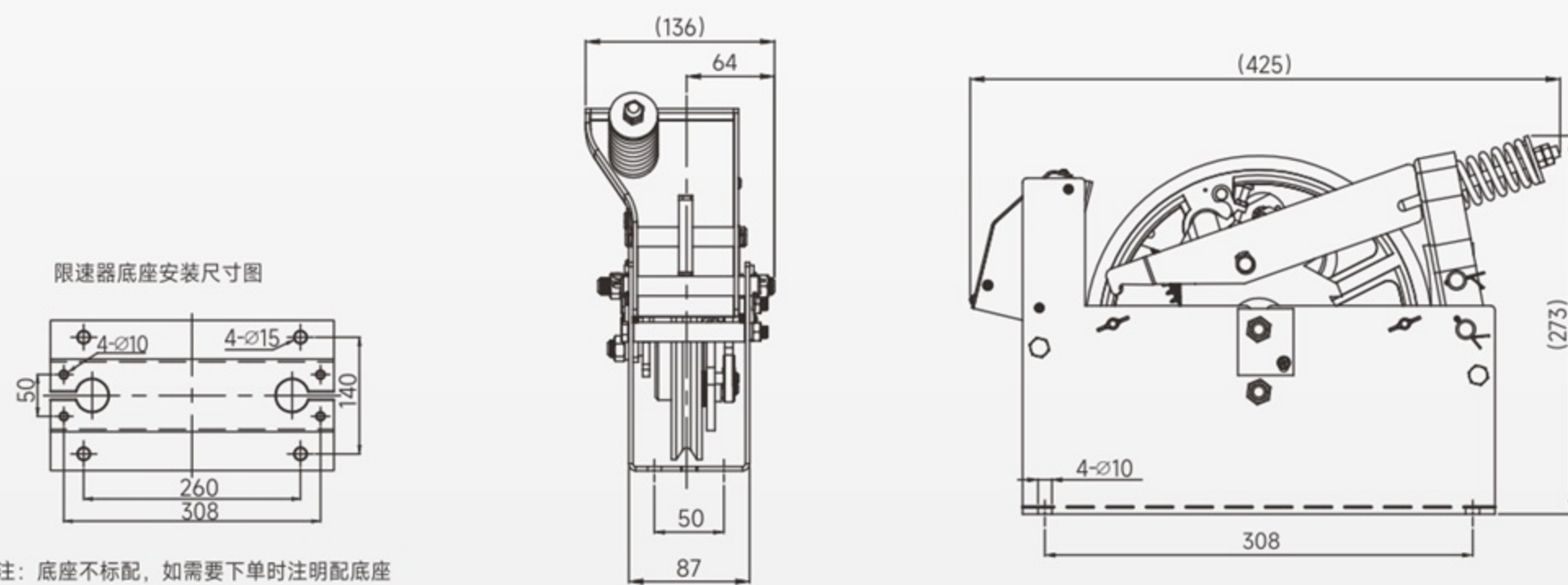
专利号: CN202321306335.7

XSG607-B

限速器
Speed Governor



安装示意图 Installation diagram



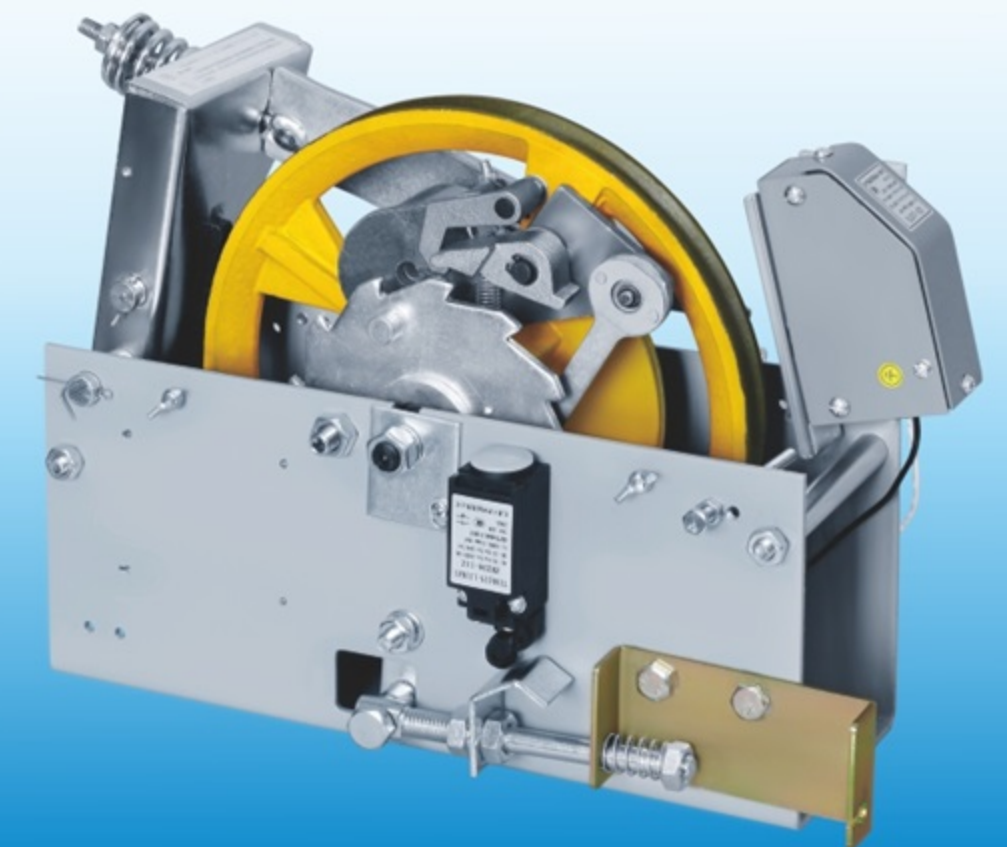
技术参数 Technical specification

型号 Type	额定速度V Rate speed	提拉力F(N) Pull force	钢丝绳直径(mm) Wire rope diameter	绳轮节圆直径 Sheave pitch diameter	认证类别 Certification
XSG607-B063	≤0.63 m/s	1000 ~ 2000	∅ 8	∅ 240	GB
XSG607-B10	0.75 ~ 1.0 m/s	1000 ~ 2000	∅ 8	∅ 240	GB/CE
XSG607-B15	1.5 m/s	1000 ~ 2000	∅ 8	∅ 240	GB
XSG607-B16	1.6 m/s	1000 ~ 2000	∅ 8	∅ 240	GB
XSG607-B175	1.75 m/s	1000 ~ 2000	∅ 8	∅ 240	GB/CE
XSG607-B20	2.0 m/s	1000 ~ 2000	∅ 8	∅ 240	GB
XSG607-B25	2.5 m/s	1000 ~ 2000	∅ 8	∅ 240	GB

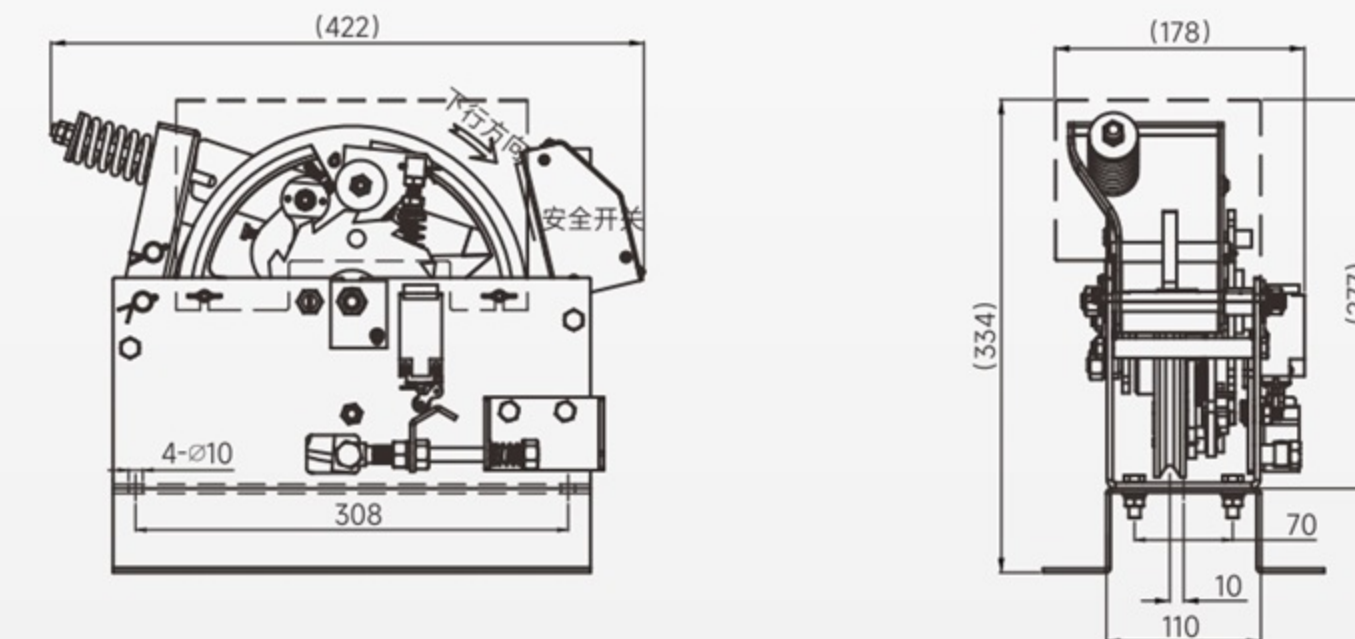
- ① 用于有机房电梯, 控制单向安全钳动作(轿厢下行或对重下行)
Used for elevator with machine room, control one-way safety gear action (car down or counterweight down)
- ② 标配用于轿厢侧, 用于对重侧时, 下单注明用于对重侧
The standard configuration is used for the lift car side

XSG607

(双向)限速器
(Bidirectional)
Speed Governor



安装示意图 Installation diagram



技术参数 Technical specification

型号 Type	额定速度V Rate speed	提拉力F(N) Pull force	钢丝绳直径(mm) Wire rope diameter	绳轮节圆直径 Sheave pitch diameter	认证类别 Certification
XSG607-03	0.3 m/s	850~1950	∅ 8	∅ 240	GB
XSG607-04	0.4 m/s	850~1950	∅ 8	∅ 240	GB
XSG607-05	0.5 m/s	850~1950	∅ 8	∅ 240	GB/CE
XSG607-063	0.63 m/s	850~1950	∅ 8	∅ 240	GB
XSG607-075	0.75 m/s	1000~1950	∅ 8	∅ 240	GB
XSG607-10	1.0 m/s	1000~1950	∅ 8	∅ 240	GB
XSG607-15	1.5 m/s	1000~1950	∅ 8	∅ 240	GB
XSG607-16	1.6 m/s	1000~1950	∅ 8	∅ 240	GB
XSG607-175	1.75 m/s	1000~1950	∅ 8	∅ 240	GB
XSG607-20	2.0 m/s	1000~1950	∅ 8	∅ 240	GB

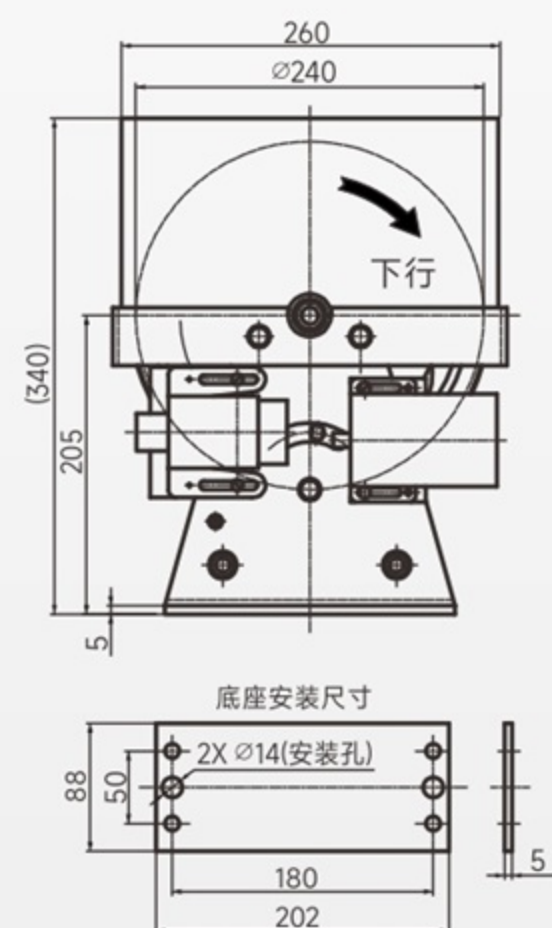
- ① 用于有机房电梯, 控制单向安全钳动作(轿厢下行或对重下行), 上行控制钢丝绳制动器
Used for elevator with machine room, control one-way safety gear action (car down or counterweight down)
- ② 标配用于轿厢侧, 用于对重侧时, 下单注明用于对重侧
The standard configuration is used for the lift car side

XSG602

限速器
Speed Governor



安装示意图 Installation diagram



技术参数 Technical specification

型号 Type	额定速度V Rate speed	提拉力F(N) Pull force	钢丝绳直径(mm) Wire rope diameter	绳轮节圆直径 Sheave pitch diameter	认证类别 Certification
XSG602-1.0	0.4 ~ 1.0 m/s	650 ~ 1750	∅ 8	∅240	GB
XSG602-1.5	1.5 m/s	650 ~ 1750	∅ 8	∅240	GB
XSG602-1.6	1.6 m/s	650 ~ 1750	∅ 8	∅240	GB
XSG602-1.75	1.75 m/s	650 ~ 1750	∅ 8	∅240	GB

- ① 适用于无机房电梯(客梯, 家用梯), 控制单/双向安全钳动作
Suitable for roomless elevator (passenger elevator, household elevator), control single/bidirectional safety gear action
- ② 标配用于轿厢侧, 用于对重侧时, 下单注明用于对重侧
The standard configuration is used for the lift car side

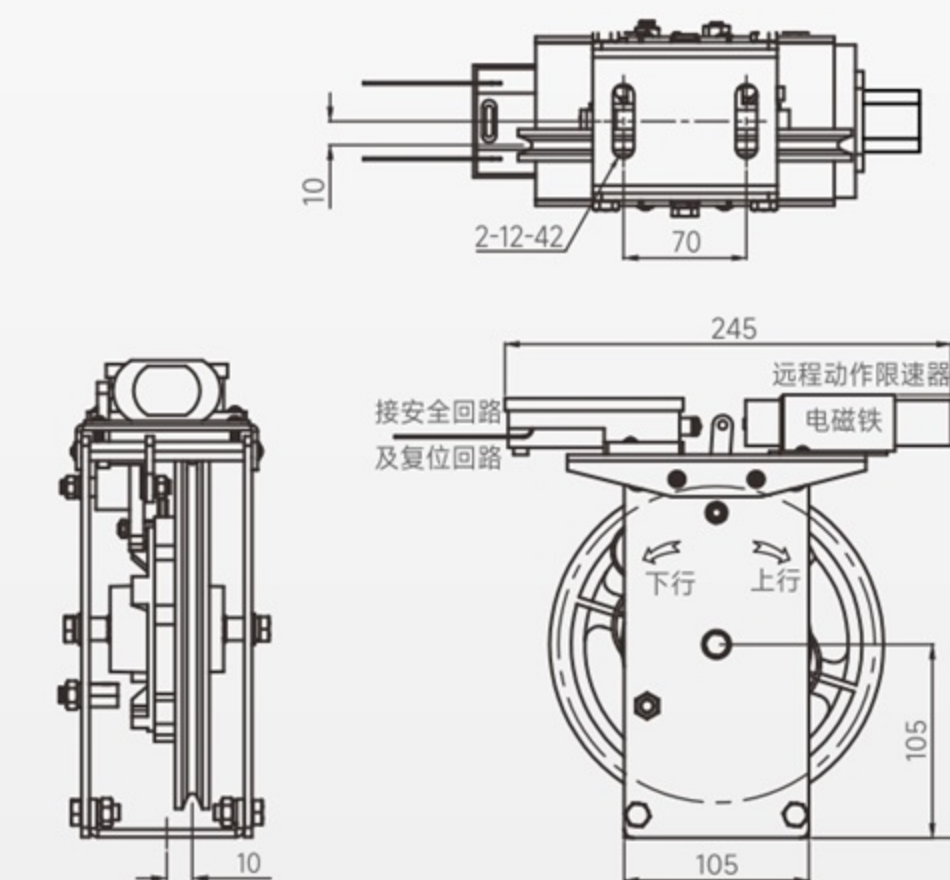
专利号: CN201721832456.X

XSG606

限速器
Speed Governor



安装示意图 Installation diagram



技术参数 Technical specification

型号 Type	额定速度V Rate speed	提拉力F(N) Pull force	钢丝绳直径(mm) Wire rope diameter	绳轮节圆直径 Sheave pitch diameter	认证类别 Certification
XSG606-10	0.3-1.0 m/s	550-1450	∅ 6	∅180	GB

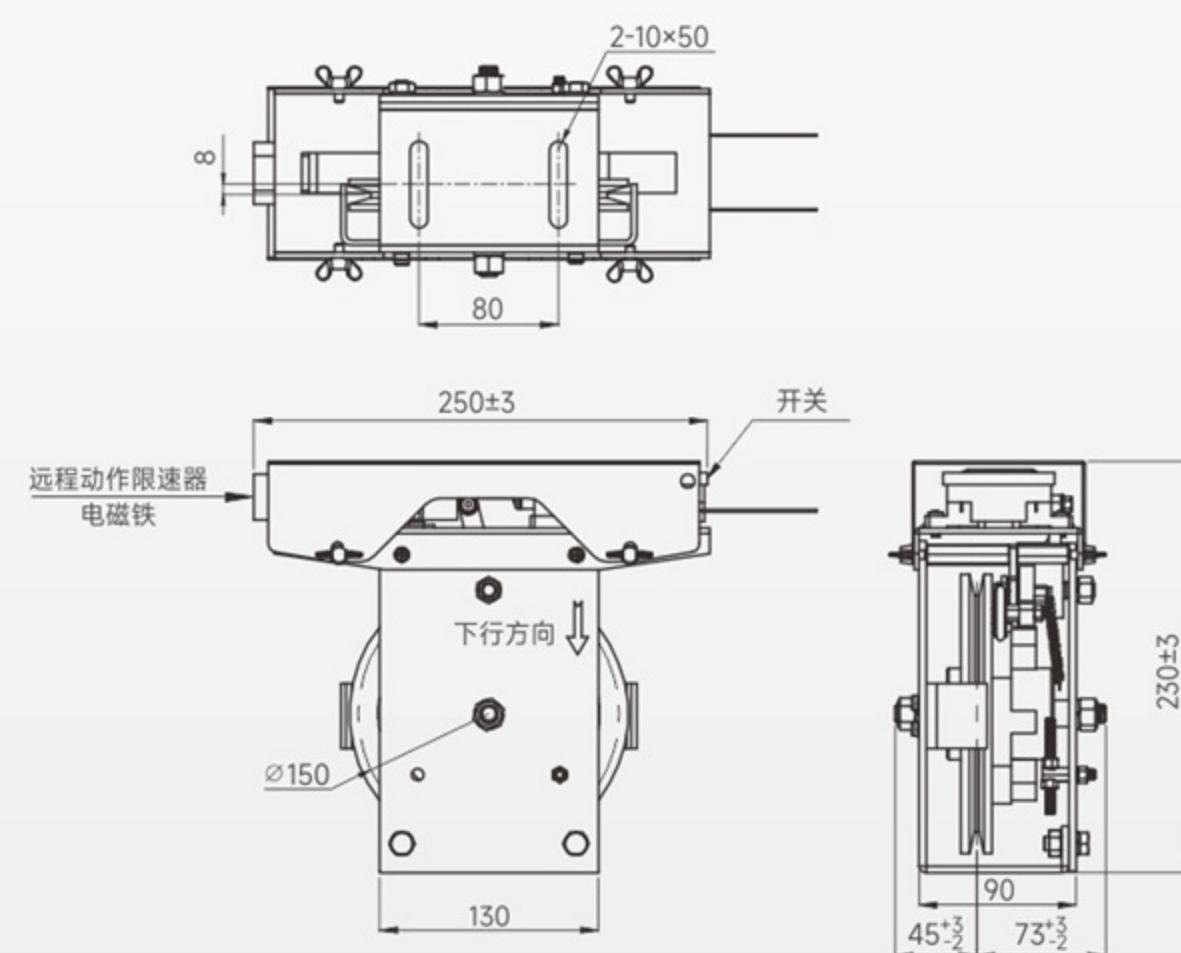
- ① 适用于无机房电梯(客梯, 家用梯), 控制单/双向安全钳动作
Suitable for roomless elevator (passenger elevator, household elevator), control single/bidirectional safety gear action
- ② 标配用于轿厢侧, 用于对重侧时, 下单注明用于对重侧
The standard configuration is used for the lift car side
- ③ XSG606-10 (覆盖XSG606-75, 0.75m/s; XSG606-63, 0.63m/s; XSG606-5, 0.5m/s; XSG606-4, 0.4m/s; XSG606-3, 0.3m/s)
XSG606-10 (Cover XSG606-75, 0.75m/s; XSG606-63, 0.63m/s; XSG606-5, 0.5m/s; XSG606-4, 0.4m/s; XSG606-3, 0.3m/s)

XSG606B

限速器
Speed Governor



安装示意图 Installation diagram



技术参数 Technical specification

型号 Type	额定速度V Rate speed	提拉力F(N) Pull force	钢丝绳直径(mm) Wire rope diameter	绳轮节圆直径 Sheave pitch diameter	认证类别 Certification
XSG606B-04	0.4 m/s	600-1450	∅ 6	∅150	/
XSG606B-05	0.5 m/s	600-1450	∅ 6	∅150	/
XSG606B-10	1.0 m/s	600-1450	∅ 6	∅150	/

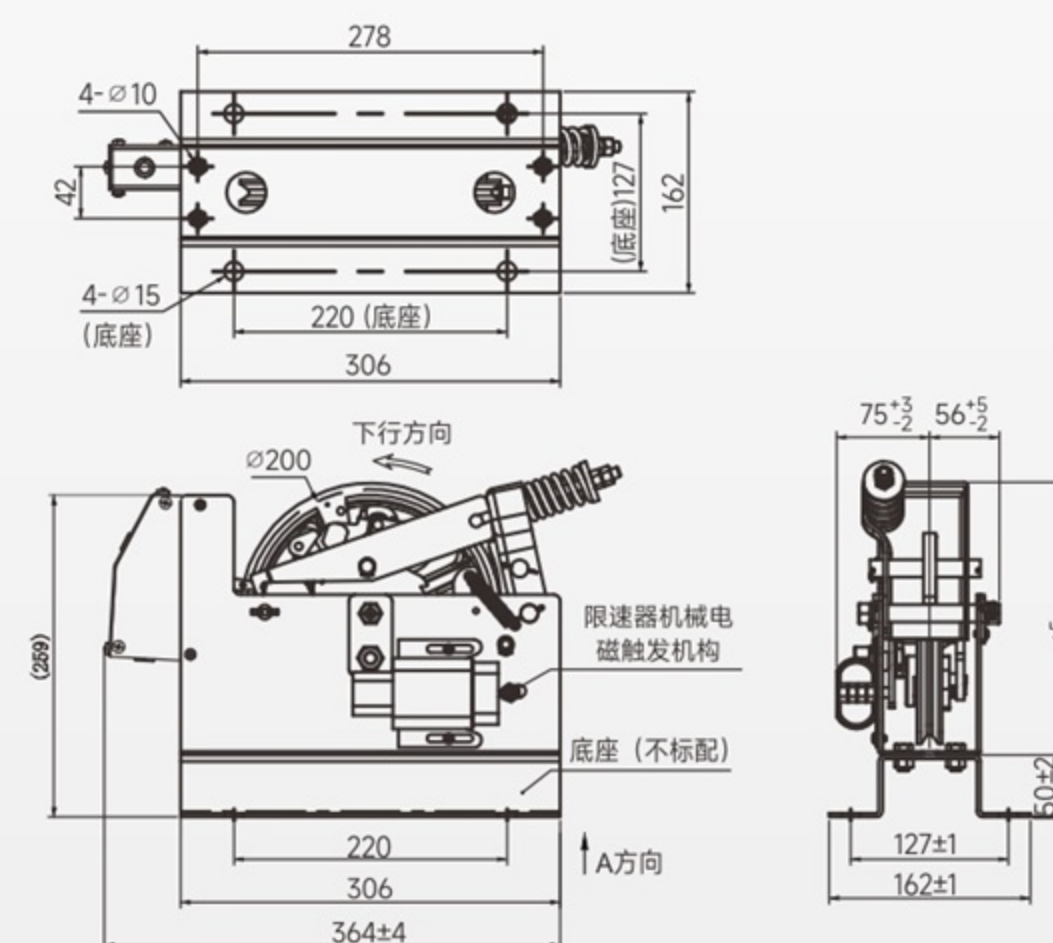
- ① 适用于无机房电梯(家用梯), 控制单/双向安全钳动作
Suitable for roomless elevator (passenger elevator, household elevator), control single/bidirectional safety gear action
- ② 标配用于轿厢侧, 用于对重侧时, 下单注明用于对重侧
The standard configuration is used for the lift car side

XSG605

限速器
Speed Governor



安装示意图 Installation diagram



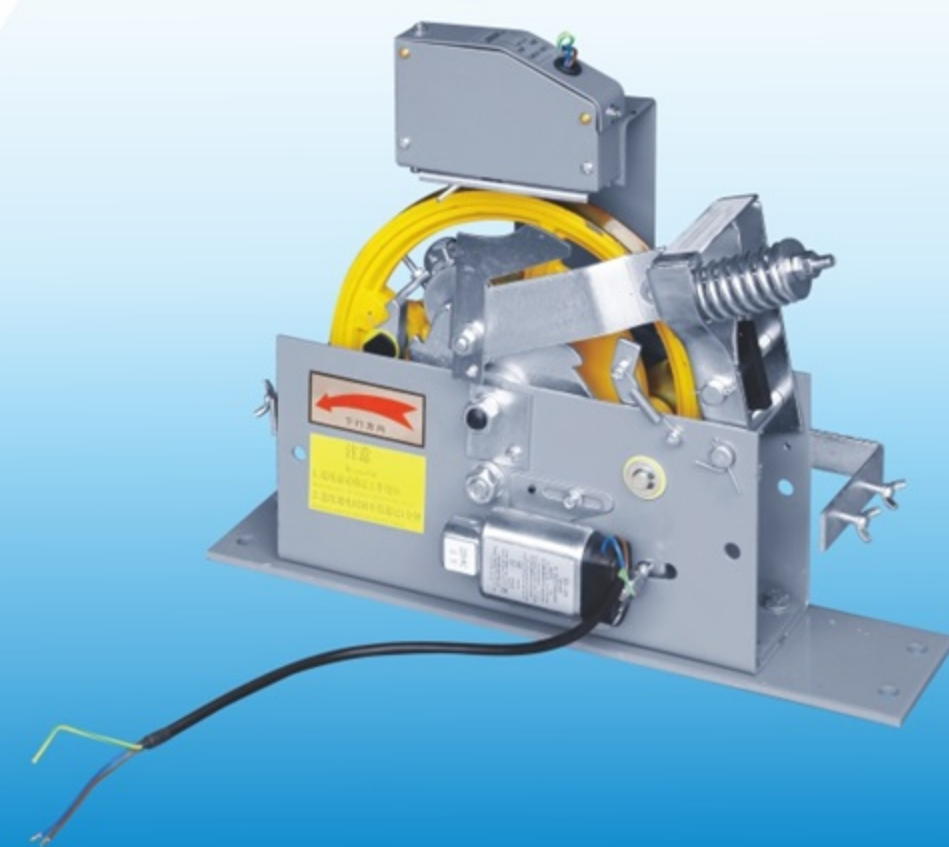
技术参数 Technical specification

型号 Type	额定速度V Rate speed	提拉力F(N) Pull force	钢丝绳直径(mm) Wire rope diameter	绳轮节圆直径 Sheave pitch diameter	认证类别 Certification
XSG605-063	≤0.63 m/s	850-1750	∅ 6	∅200	GB
XSG605-10	0.75-1.0 m/s	850-1750	∅ 6	∅200	GB
XSG605-15	1.5 m/s	850-1750	∅ 6	∅200	GB
XSG605-175	1.75 m/s	850-1750	∅ 6	∅200	GB
XSG605-20	2.0 m/s	850-1750	∅ 6	∅200	GB

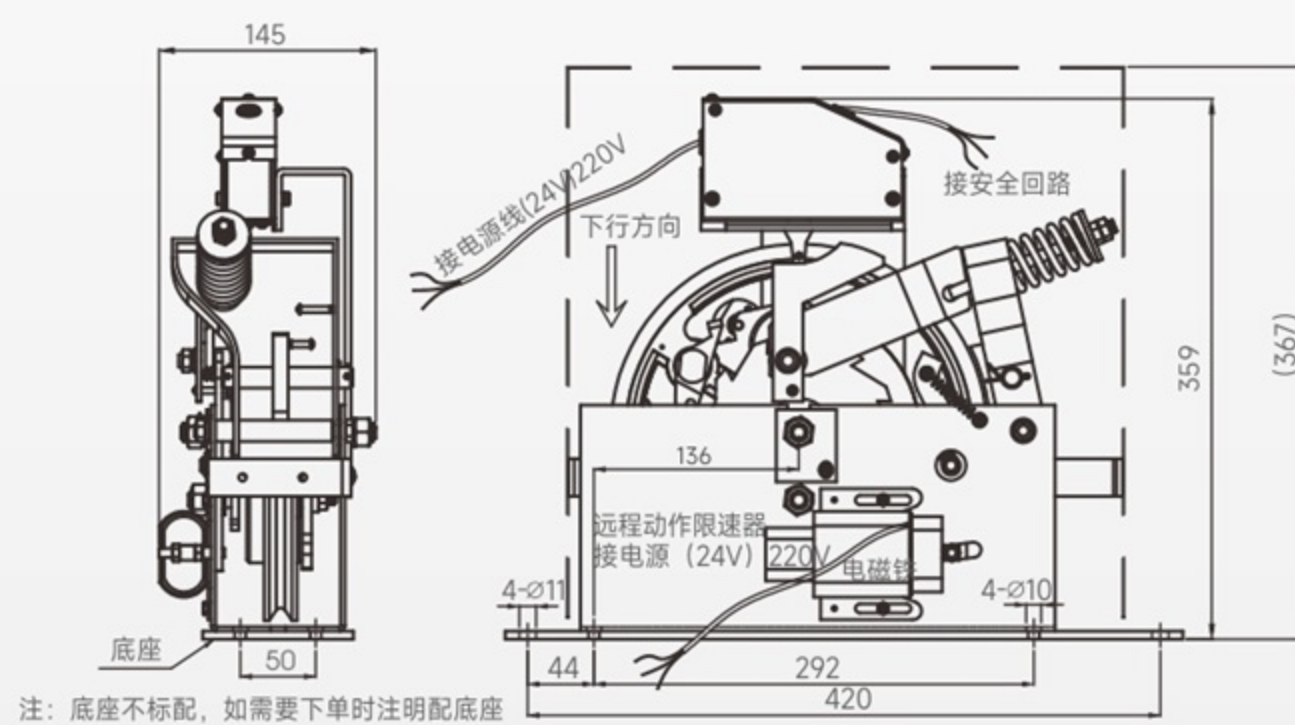
- ① 适用于无机房电梯(客梯, 家用梯), 控制单安全钳动作
Suitable for roomless elevator (passenger elevator, household elevator), control single safety gear action
- ② 标配用于轿厢侧, 用于对重侧时, 下单注明用于对重侧
The standard configuration is used for the lift car side

XSG608

限速器
Speed Governor



安装示意图 Installation diagram



技术参数 Technical specification

型号 Type	额定速度V Rate speed	提拉力F(N) Pull force	钢丝绳直径(mm) Wire rope diameter	绳轮节圆直径 Sheave pitch diameter	认证类别 Certification
XSG608-63	≤0.63 m/s	650 ~ 1950	∅ 8	∅ 240	GB
XSG608-10	0.75 ~ 1.0 m/s	650 ~ 1950	∅ 8	∅ 240	GB
XSG608-15	1.5 m/s	650 ~ 1950	∅ 8	∅ 240	GB
XSG608-16	1.6 m/s	650 ~ 1950	∅ 8	∅ 240	GB
XSG608-175	1.75 m/s	650 ~ 1950	∅ 8	∅ 240	GB
XSG608-20	2.0 m/s	650 ~ 1950	∅ 8	∅ 240	GB
XSG608-25	2.5 m/s	650 ~ 1950	∅ 8	∅ 240	GB
XSG608-30	3.0 m/s	950 ~ 1950	∅ 8	∅ 240	GB

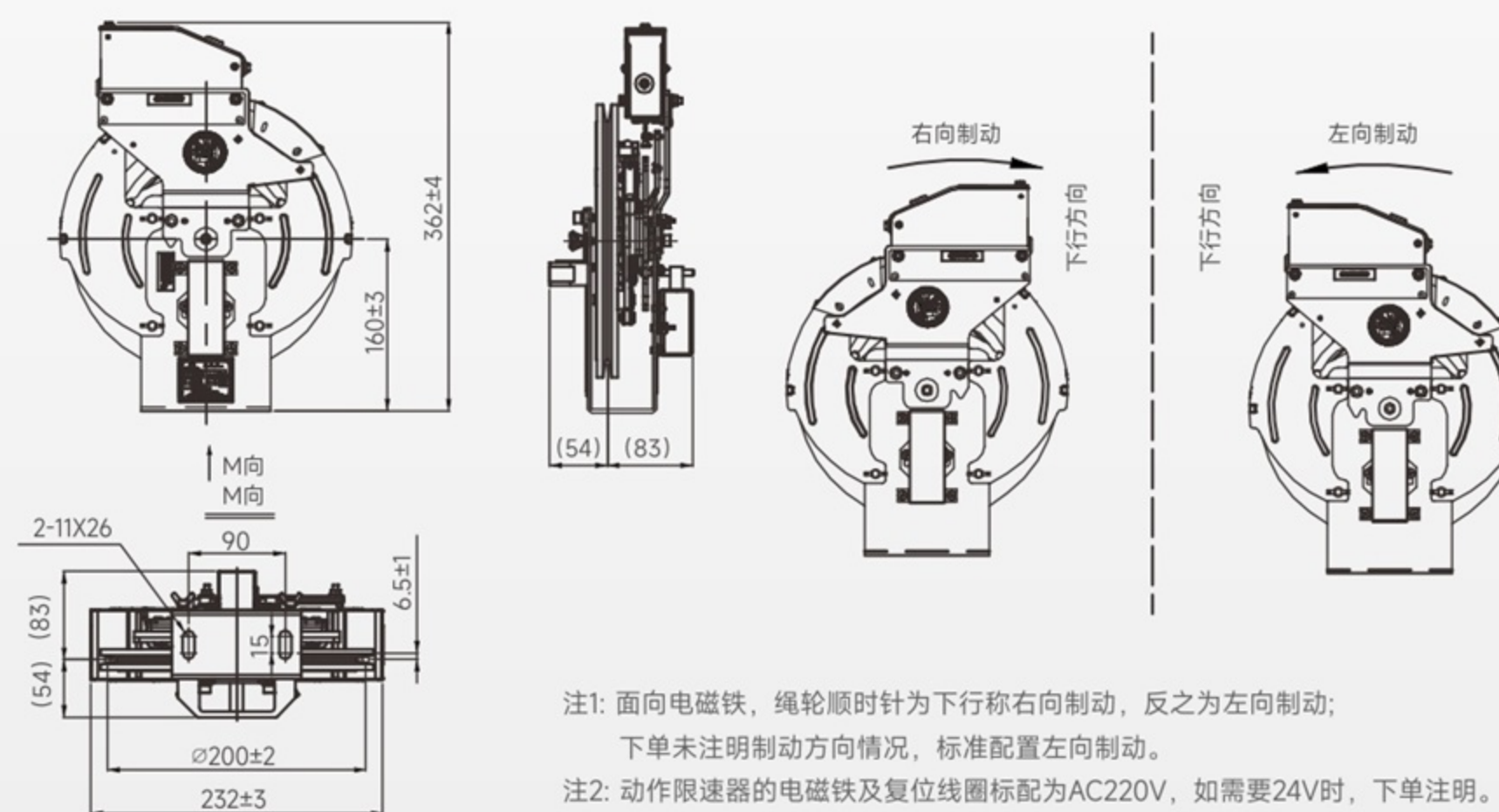
- ① 用于无机房电梯, 控制单向安全钳动作(轿厢下行或对重下行)
Used for roomless elevator, control one-way safety gear action (car down or counterweight down)
- ② 标配用于轿厢侧, 用于对重侧时, 下单注明用于对重侧
The standard configuration is used for the lift car side

XSG502

限速器
Speed Governor



安装示意图 Installation diagram



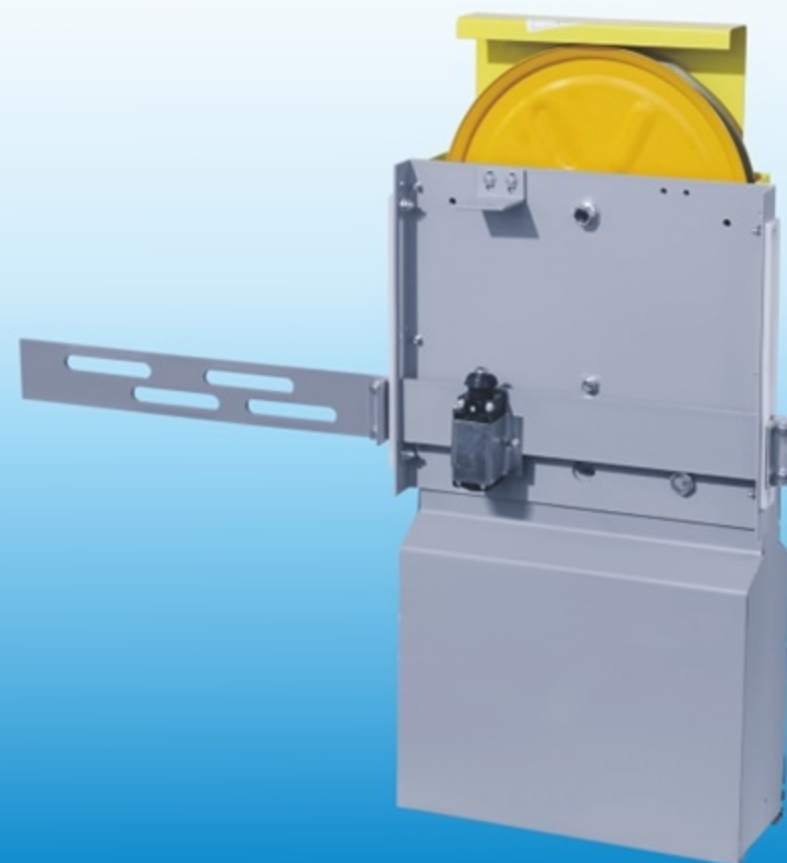
技术参数 Technical specification

型号 Type	额定速度V Rate speed	提拉力F(N) Pull force	钢丝绳直径(mm) Wire rope diameter	绳轮节圆直径 Sheave pitch diameter	认证类别 Certification
XSG502-10	≤1.0 m/s	800 ~ 1500	∅ 6	∅ 200	GB
XSG502-15	1.5 m/s	800 ~ 1500	∅ 6	∅ 200	GB
XSG502-175	1.75 m/s	800 ~ 1500	∅ 6	∅ 200	GB

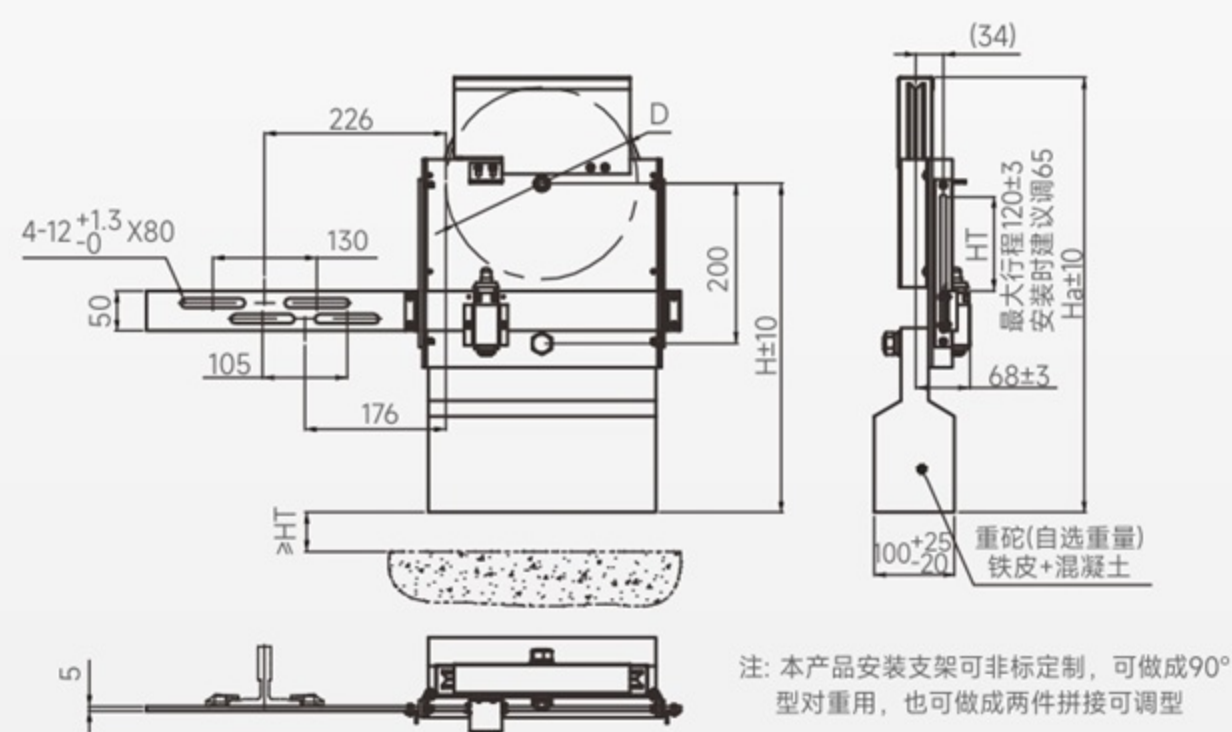
- ① 用于无机房电梯, 控制单向安全钳动作(轿厢下行或对重下行)
Used for roomless elevator, control one-way safety gear action (car down or counterweight down)
- ② 标配用于轿厢侧, 用于对重侧时, 下单注明用于对重侧
The standard configuration is used for the lift car side

HHZJ01

垂直式涨紧装置
Vertical Tensioning Device



安装示意图 Installation diagram



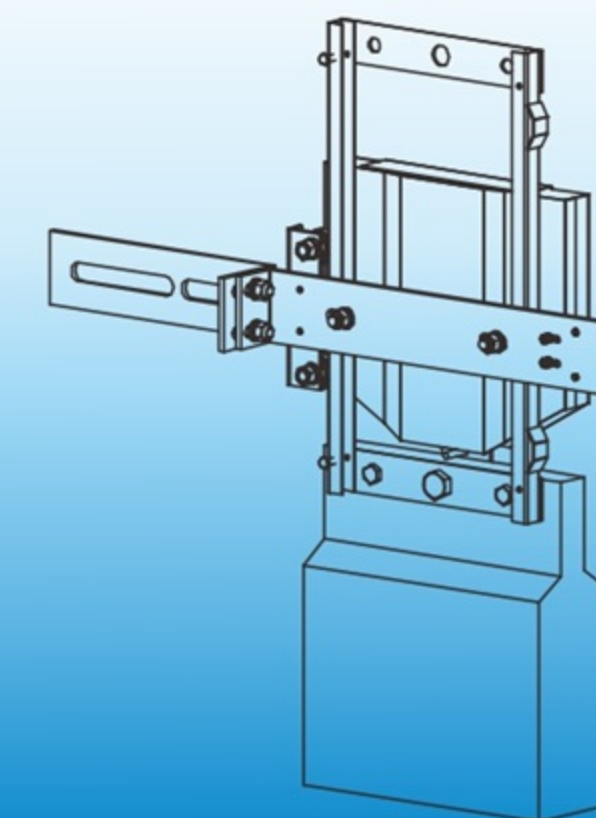
技术参数 Technical specification

铁包皮混凝土重砣 Composite Mat erial				铁重砣 Cast iron weight				建议用梯提升高度HO
识别号 Identifier	配重(kg) Weight	绳轮节圆D (mm) Pitch diameter	H	识别号 Identifier	配重(kg) Weight	绳轮节圆D (mm) Pitch diameter	H	
HHZJ01_A01	21	∅240	505	HHZJ01_A11	21	∅240	345	HO≤40
HHZJ01_A02	30	∅240	580	HHZJ01_A12	30	∅240	370	HO≤60
HHZJ01_A03	40	∅240	670	HHZJ01_A13	40	∅240	420	HO≤80
HHZJ01_A04	45	∅240	670	HHZJ01_A14	45	∅240	450	HO≤100
HHZJ01_B01	21	∅200	505	HHZJ01_B11	21	∅200	345	HO≤40
HHZJ01_B02	30	∅200	580	HHZJ01_B12	30	∅200	370	HO≤60
HHZJ01_B03	40	∅200	670	HHZJ01_B13	40	∅200	420	HO≤80
HHZJ01_B04	45	∅200	670	HHZJ01_B14	45	∅200	450	HO≤100
HHZJ01_C01	21	∅180	505	HHZJ01_C11	21	∅180	345	HO≤40
HHZJ01_C02	30	∅180	580	HHZJ01_C12	30	∅180	370	HO≤60
HHZJ01_C03	40	∅180	670	HHZJ01_C13	40	∅180	420	HO≤80
HHZJ01_C04	45	∅180	670	HHZJ01_C14	45	∅180	450	HO≤100

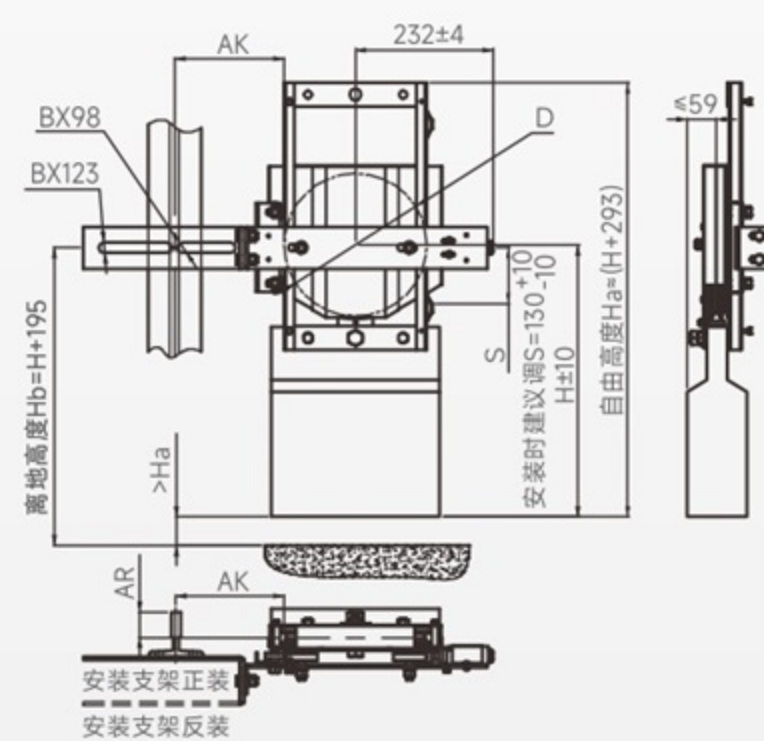
注: 需要更重配重时, 可用钢板制作。30KG, 40KG, 45KG混凝土款还有款H值较小的配重, 如有需要欢迎咨询。
Note: When a heavier weight is required, steel plates can be used for production. 30KG, 40KG, 45KG concrete types, as well as counterweight options with lower H-values, please feel free to consult if needed.

HHZJ02

垂直式涨紧A型
Vertical Tightening A-type



安装示意图 Installation diagram



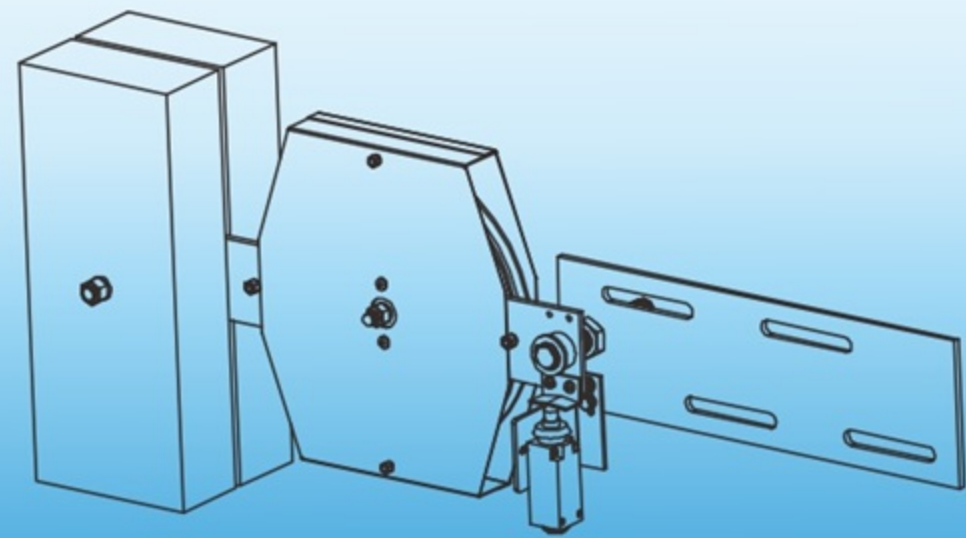
技术参数 Technical specification

铁包皮混凝土重砣 Composite Mat erial				铁重砣 Cast iron weight				建议用梯提升高度HO
识别号 Identifier	配重(kg) Weight	绳轮节圆D (mm) Pitch diameter	H	识别号 Identifier	配重(kg) Weight	绳轮节圆D (mm) Pitch diameter	H	
HHZJ02_A01	21	∅240	450	HHZJ02_A11	21	∅240	300	HO≤40
HHZJ02_A02	30	∅240	525	HHZJ02_A12	30	∅240	325	HO≤60
HHZJ02_A03	40	∅240	615	HHZJ02_A13	40	∅240	375	HO≤80
HHZJ02_A04	45	∅240	615	HHZJ02_A14	45	∅240	405	HO≤100
HHZJ02_B01	21	∅200	450	HHZJ02_B11	21	∅200	300	HO≤40
HHZJ02_B02	30	∅200	525	HHZJ02_B12	30	∅200	325	HO≤60
HHZJ02_B03	40	∅200	615	HHZJ02_B13	40	∅200	375	HO≤80
HHZJ02_B04	45	∅200	615	HHZJ02_B14	45	∅200	405	HO≤100
HHZJ02_C01	21	∅180	450	HHZJ02_C11	21	∅180	300	HO≤40
HHZJ02_C02	30	∅180	525	HHZJ02_C12	30	∅180	325	HO≤60
HHZJ02_C03	40	∅180	615	HHZJ02_C13	40	∅180	375	HO≤80
HHZJ02_C04	45	∅180	615	HHZJ02_C14	45	∅180	405	HO≤100

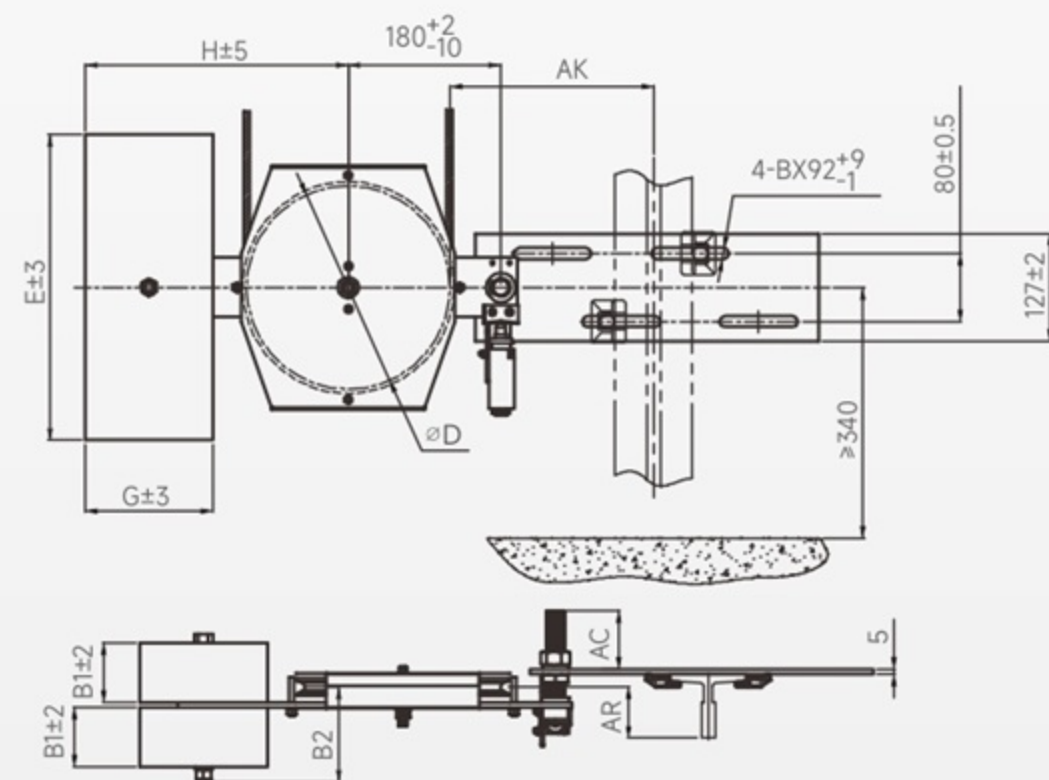
注: 需要更重配重时, 可用钢板制作。30KG, 40KG, 45KG混凝土款还有款H值较小的配重, 如有需要欢迎咨询。
Note: When a heavier weight is required, steel plates can be used for production. 30KG, 40KG, 45KG concrete types, as well as counterweight options with lower H-values, please feel free to consult if needed.

HHZJ03

摆臂式涨紧装置
Swinging Arm Type
Tensioning Device



安装示意图 Installation diagram



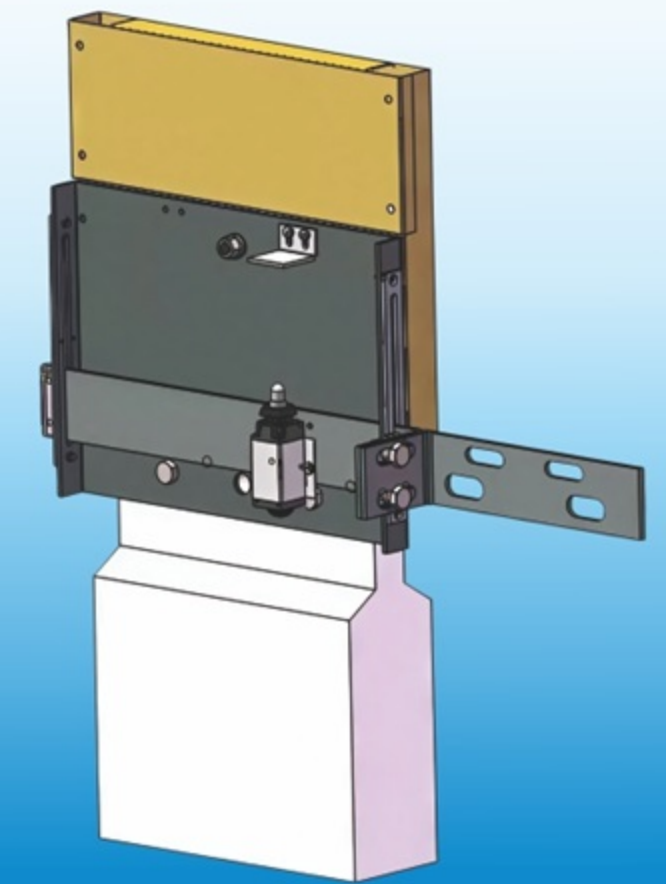
匹配导轨	AR	AK	AC	B	绳轮安装方式
T75/B	1 ~ 58	138-356	AR+22	13 ^{+1.3} _{-0.5}	按图安装
T82/B	1 ~ 60	141-353	AR+16	13 ^{+1.3} _{-0.5}	按图安装
T89/B	1 ~ 58	144-349	AR+22	13 ^{+1.3} _{-0.5}	按图安装
T90/B	9 ~ 68	145-349	AR+9	13 ^{+1.3} _{-0.5}	按图安装
T114/B	23 ~ 82	157-337	AR-5	17 ^{+1.3} _{-0.5}	按图安装
T125/B	16 ~ 75	162-331	AR+2	17 ^{+1.3} _{-0.5}	按图安装
T127/B	23 ~ 82	163-330	AR-5	17 ^{+1.3} _{-0.5}	按图安装
T114/B	1 ~ 23	157-337	AR+38	17 ^{+1.3} _{-0.5}	以安装板对称
T125/B	1 ~ 16	162-331	AR+44	17 ^{+1.3} _{-0.5}	以安装板对称
T127/B	1 ~ 23	163-330	AR+38	17 ^{+1.3} _{-0.5}	以安装板对称

配重选用 Counterweight to choose

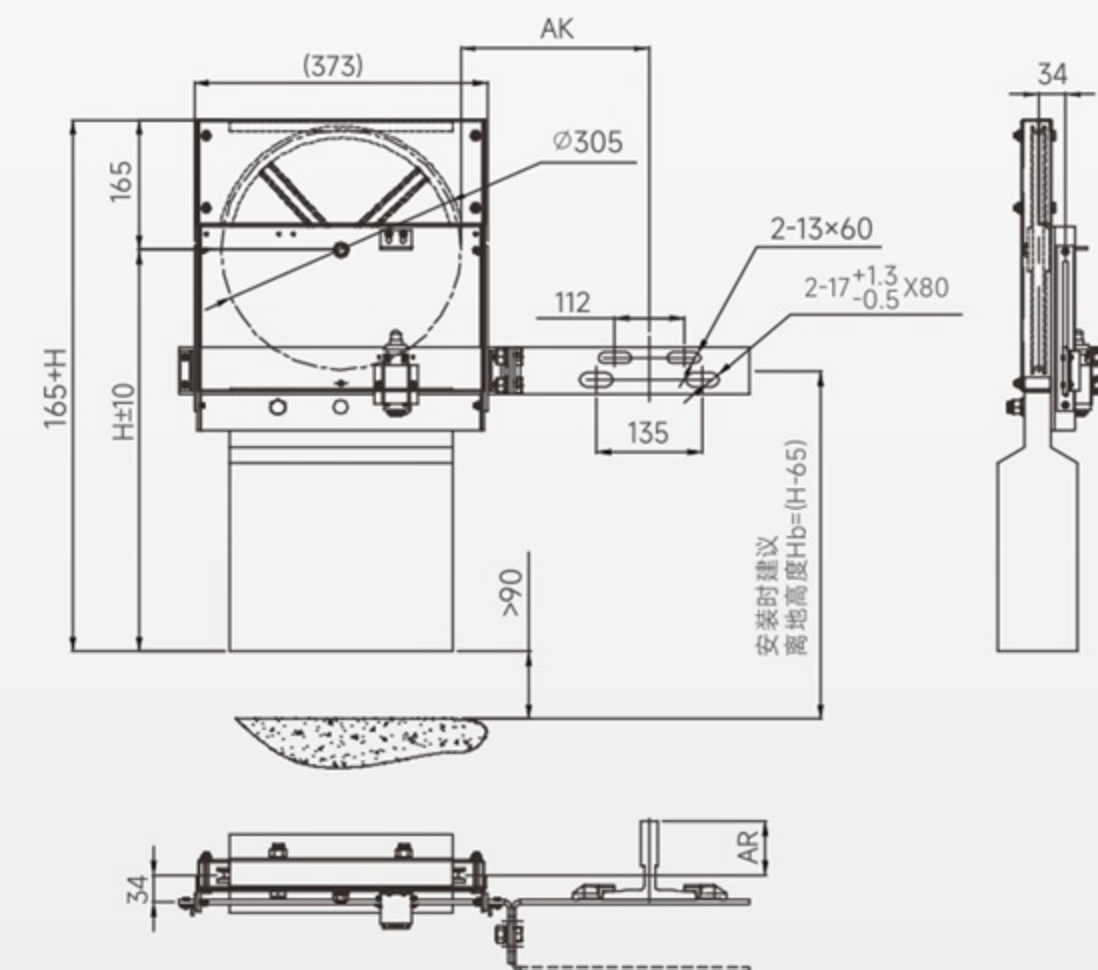
识别号 Identifier	绳轮节圆D (mm) Pitch diameter	配重(kg) Weight	张紧力 Tension force	提升高度HO					配重材质 Tierission weight material	提升高度HO Travel
				H	B2	B1	G	E		
HHZJ03_A03	∅240	14	>350N	295	113	70	120	300	混凝土 Composite Material	HO≤60
HHZJ03_A04	∅240	24	>560N	310	113	70	150	360	混凝土 Composite Material	60<HO≤110
HHZJ03_A13	∅240	14	>350N	275	85	40	80	280	钢板 Steel	HO≤60
HHZJ03_A14	∅240	24	>560N	285	100	55	100	280	钢板 Steel	60<HO≤110
HHZJ03_B03	∅200	14	>350N	298	113	70	120	300	混凝土 Composite Material	HO≤60
HHZJ03_B04	∅200	24	>560N	310	113	70	150	360	混凝土 Composite Material	60<HO≤110
HHZJ03_B13	∅200	14	>350N	275	85	40	80	280	钢板 Steel	HO≤60
HHZJ03_B14	∅200	24	>560N	285	100	55	100	280	钢板 Steel	60<HO≤110
HHZJ03_C03	∅180	24	>560N	310	113	70	150	360	混凝土 Composite Material	60<HO≤110
HHZJ03_C04	∅180	14	>350N	295	113	70	120	300	混凝土 Composite Material	HO≤60
HHZJ03_C13	∅180	14	>350N	275	85	40	80	280	钢板 Steel	HO≤60
HHZJ03_C14	∅180	24	>560N	285	100	55	100	280	钢板 Steel	60<HO≤110

HHZJ04

垂直式涨紧装置
Vertical Tensioning
Device



安装示意图 Installation diagram



匹配导轨	AK		AR	
	安装支架正装	安装支架反装	安装支架正装	安装支架反装
T90/B	218-262	6-81	-11	-86
T114/B	230-250	19-94	4	-71
T127/B	218-262	19-94	4	-71
T140-1/B	定制	38-113	23	-52

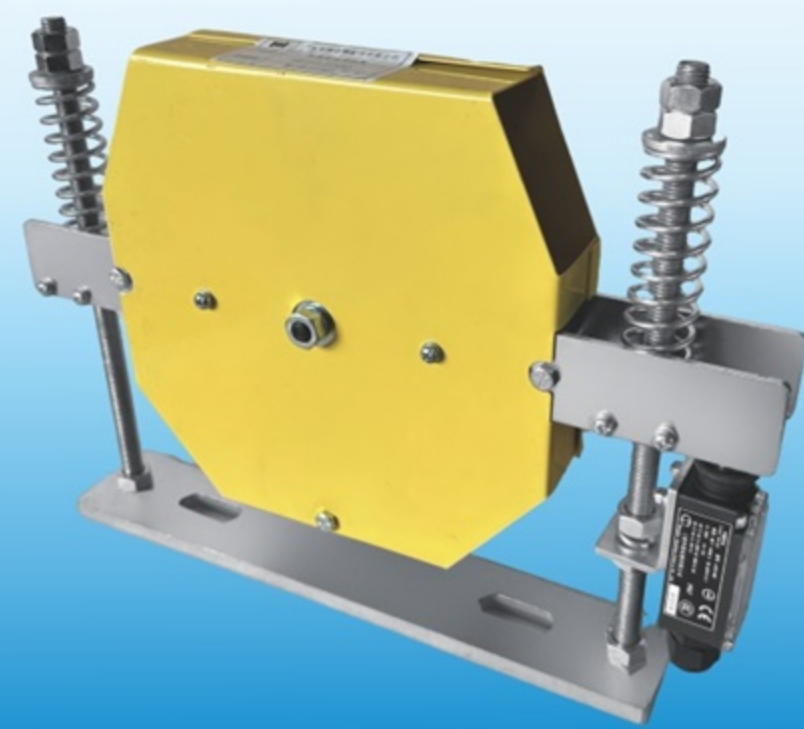
配重选用 Counterweight to choose

铁皮包混凝土重砣 Composite Mat erial				铁重砣 Cast iron weight			
识别号 Identifier	配重(kg) Weight	绳轮节圆D (mm) Pitch diameter	H	识别号 Identifier	配重(kg) Weight	绳轮节圆D (mm) Pitch diameter	建议用梯提升高度HO Travel
HHZJ04_A01	30	∅305	580	HHZJ04_A11	30	∅305	370 HO≤60
HHZJ04_A02	40	∅305	670	HHZJ04_A12	40	∅305	420 HO≤80
HHZJ04_A03	45	∅305	670	HHZJ04_A13	45	∅305	450 HO≤100
				HHZJ04_A14	60	∅305	505 HO≤120

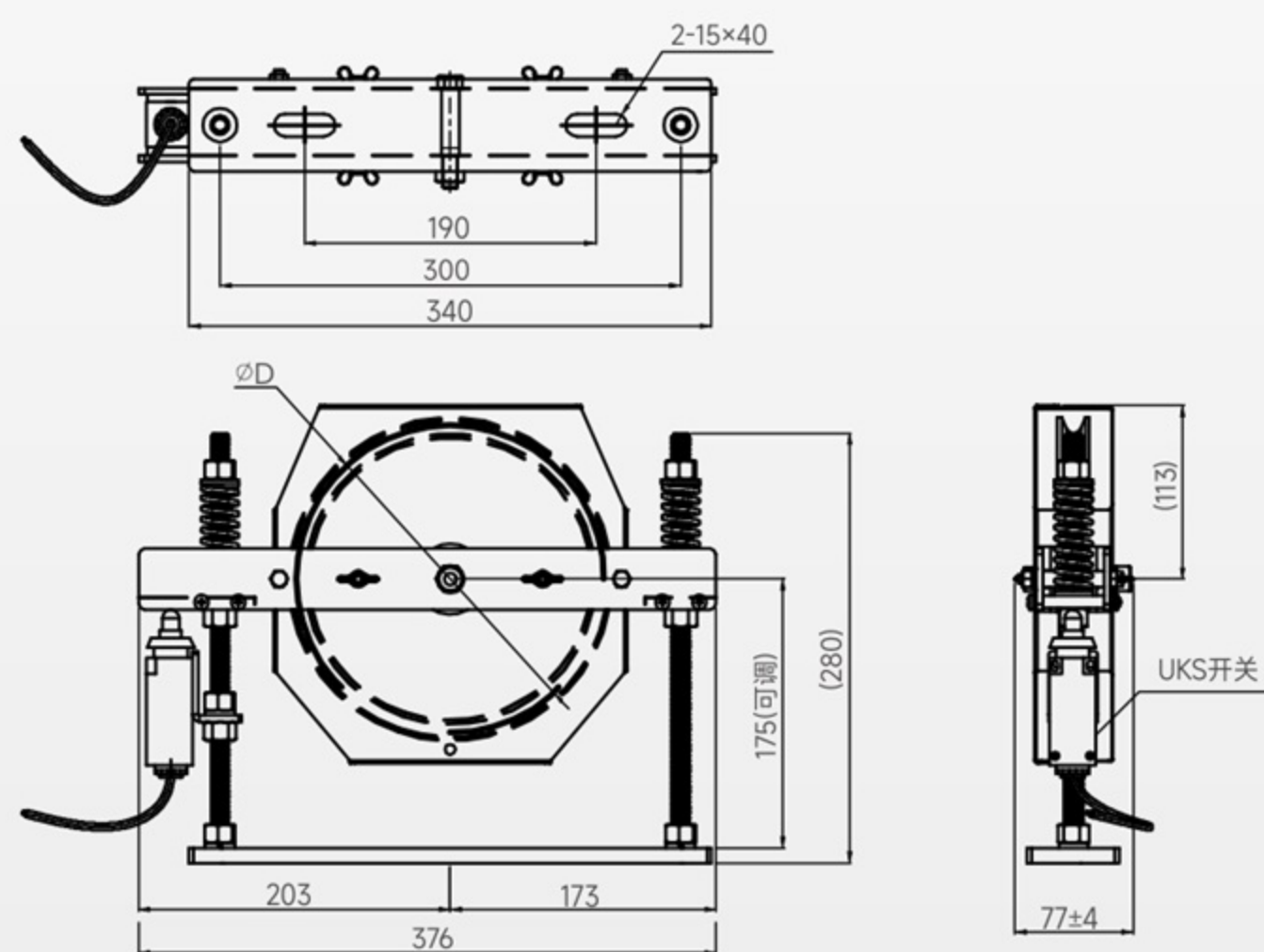
注：需要更重配重时，可用钢板制作。30KG, 40KG, 45KG混凝土款还有款H值较小的配重，如有需要欢迎咨询。
Note: When a heavier weight is required, steel plates can be used for production. 30KG, 40KG, 45KG concrete types, as well as counterweight options with lower H-values, please feel free to consult if needed.

HHTZJ200-B

弹簧型涨紧装置
Spring Type
Tensioning Device



安装示意图 Installation diagram



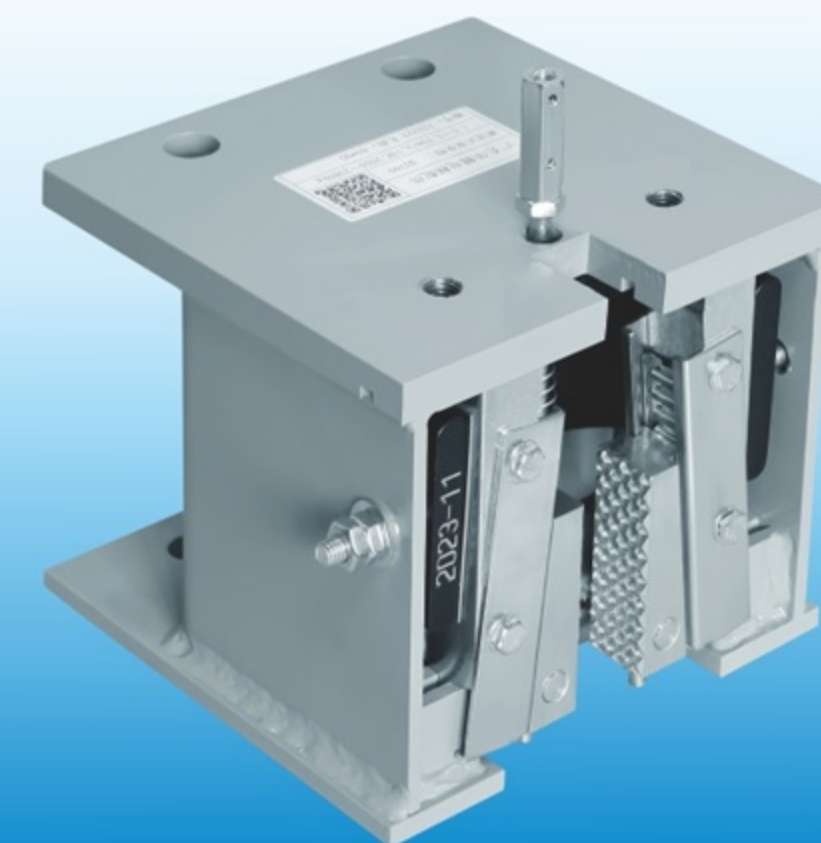
技术参数 Technical specification

型号 Type	绳轮节圆直径D(mm) Pitch diameter	钢丝绳直径(mm) Wire rope diameter	张紧力F(N) Tension force	适用提升高度(m) Travel height
HHTZJ200-B	$\varnothing 200$	$\varnothing 6$	≤ 450	≤ 20

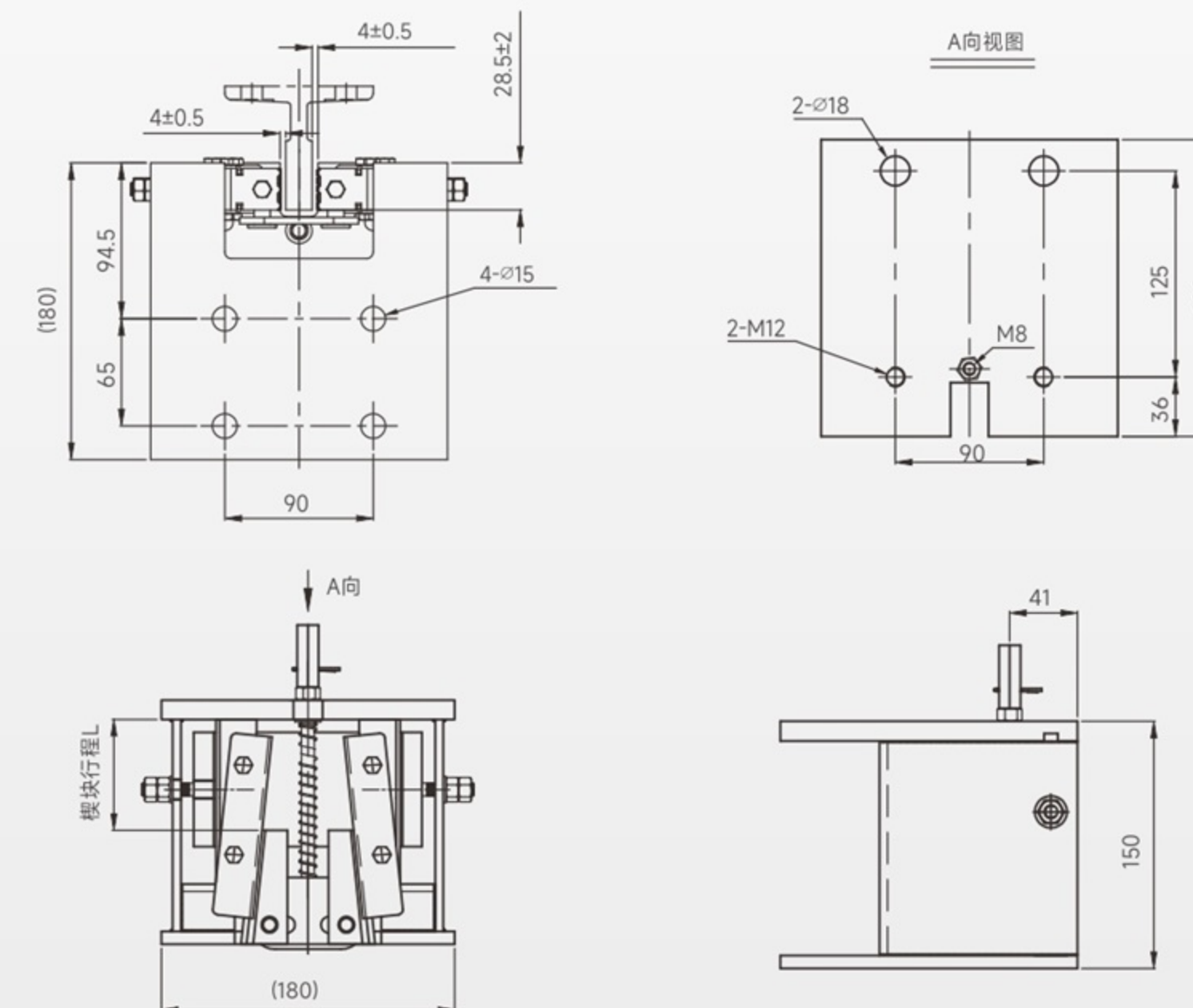
专利号: CN202311491630.9

QJ100

渐进式安全钳
Progressive Type
Safety Gear



安装示意图 Installation diagram



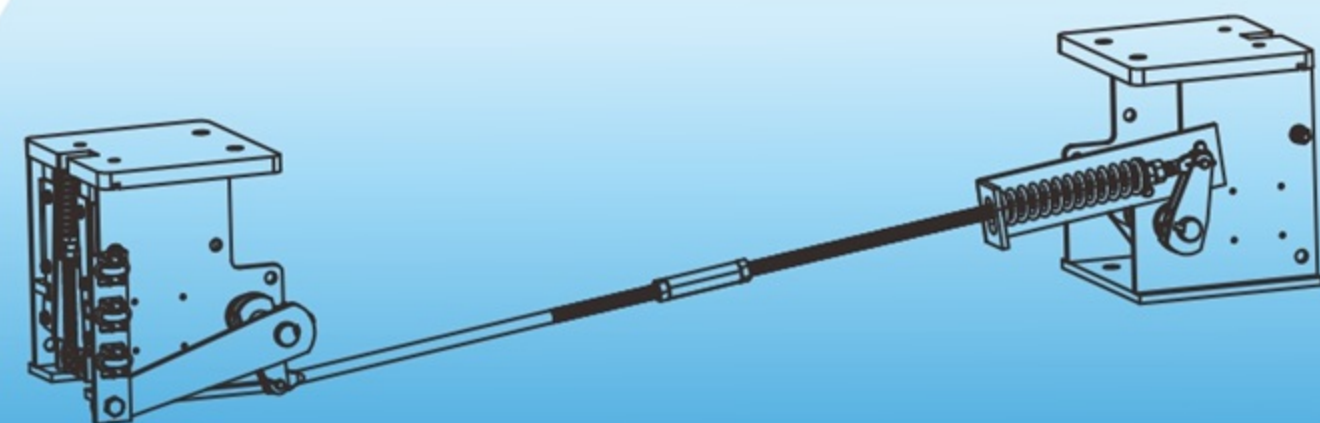
技术参数 Technical specification

型号 Type	认证类别 Certification	额定速度V(m/s) Rated speed	允许质量P+Q (kg) Allowable gross mass	导轨宽度K (mm) Width of guide rails
QJ100	GB	0.25 ~ 2.5	800-3000	10、16

专利号: CN202021766792.0

QJ101/QJ103

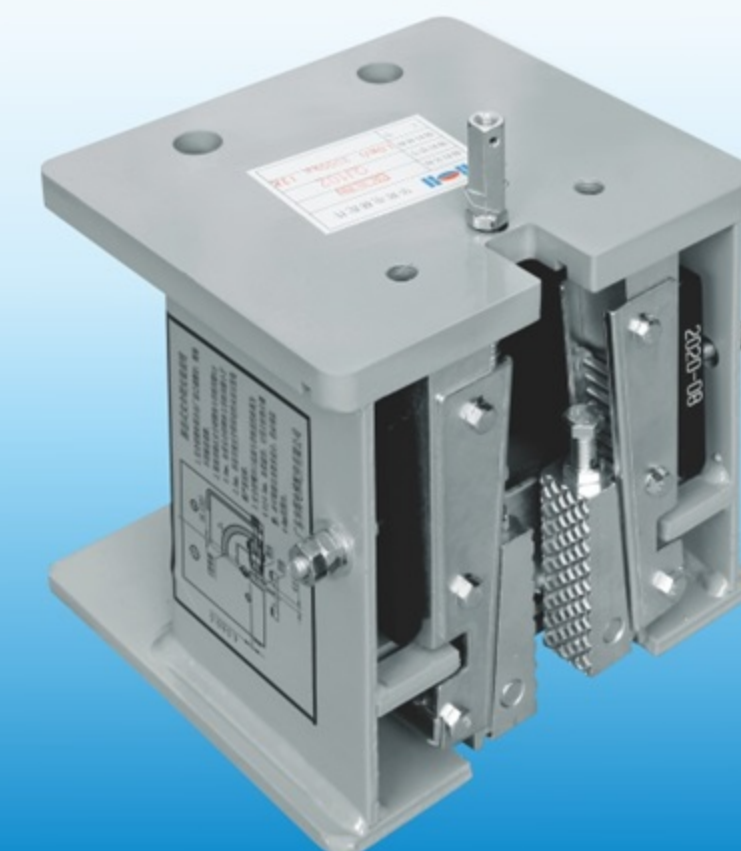
渐进式安全钳
Progressive Type
Safety Gear



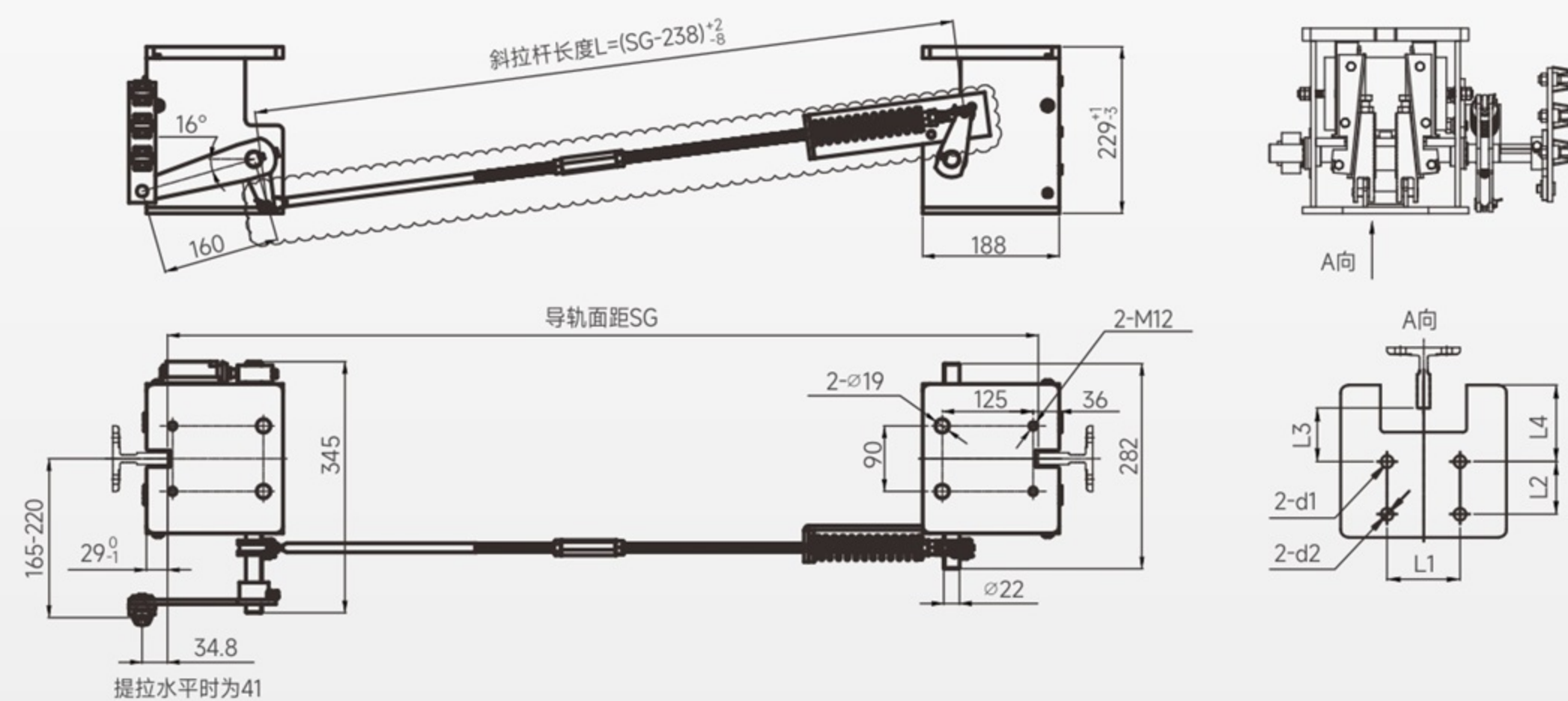
专利号: CN201820493681.3

QJ102/QJ102A

渐进式安全钳
Progressive Type
Safety Gear



安装示意图 Installation diagram



识别号	L1	L2	L3	L4	d1	d2	推荐
QJ101_A01	75	75	62.5	91	M16	∅19	货梯
QJ101_A02	90	65	65.5	94.5	∅15	∅15	客梯

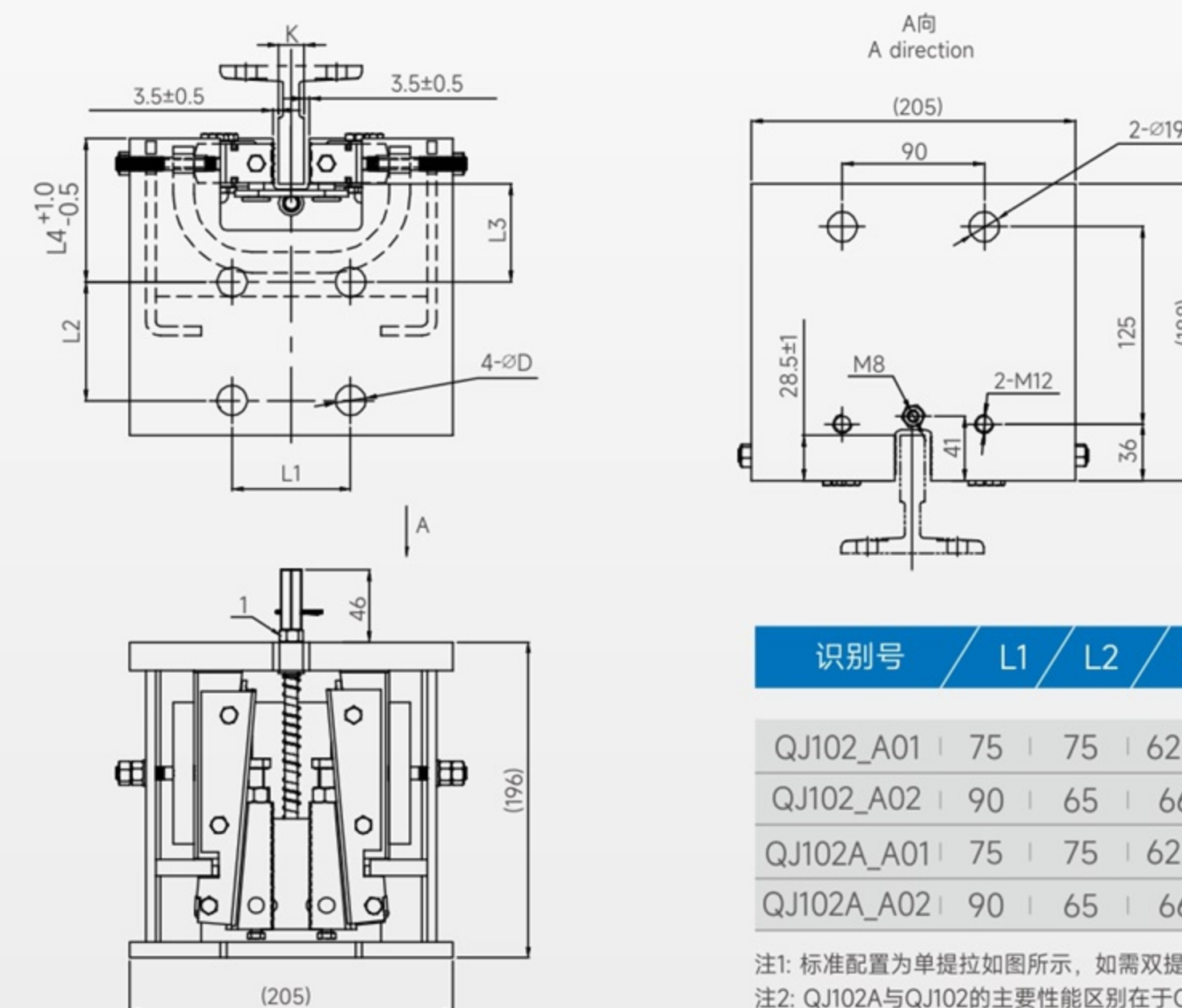
注1: 此款安全钳可以安装于上梁或下梁上, 用于下梁安装; 安装在上梁时, 需另开孔设计。
注2: 当限速器绳离导轨超过220时, 345长轴, 按410长配。
注3: 云线圈起部分为撑条组件, 发运时会拆单独包装。
注4: QJ103安装孔可按QJ105的接口设计。

技术参数 Technical specification

型号 Type	认证类别 Certification	额定速度V(m/s) Rated speed	允许质量P+Q (kg) Permissible mass	导轨宽度K (mm) Width of guide rails
QJ101	GB	0.25 ~ 2.5	853-4259	10、16
QJ103	GB	0.5 ~ 2.5	4500-6500	10、16

注: QJ101可做非标导轨宽度K=8-18mm, 非标导轨时, P+Q: 750KG-3000KG
Note: QJ101 can be used for non-standard guide rail width K=8-18mm. When using non-standard guide rail, P+Q: 750KG-3000KG

安装示意图 Installation diagram



识别号	L1	L2	L3	L4	∅D	推荐使用导轨
QJ102_A01	75	75	62.5	91	19	YP50/HH102/HH102A
QJ102_A02	90	65	66	94.5	15	YP50/YP60/YP77/YP100
QJ102A_A01	75	75	62.5	91	19	YP50/HH102/HH102A
QJ102A_A02	90	65	66	94.5	15	YP50/YP60/YP77/YP100

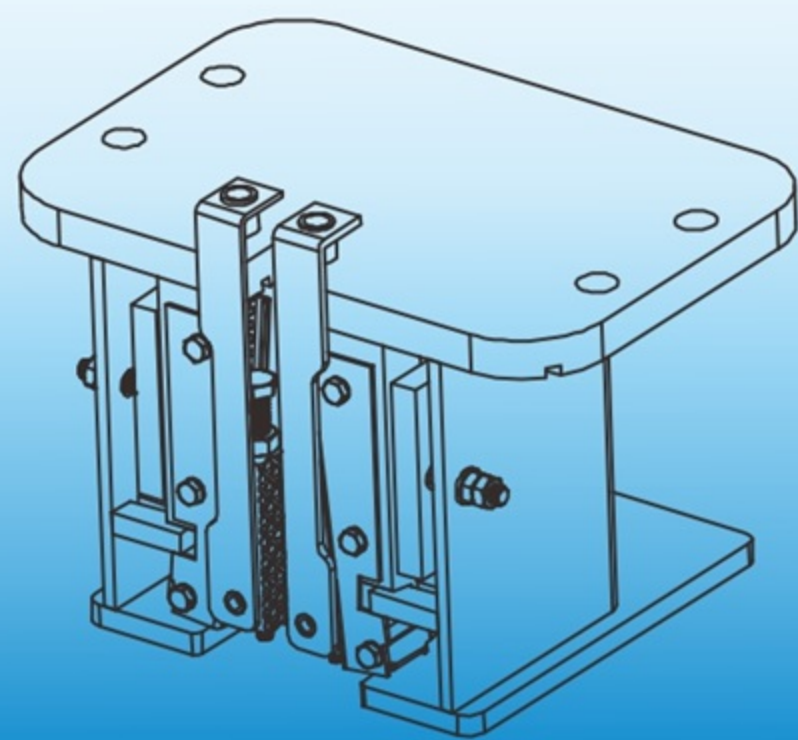
注1: 标准配置为单提拉如图示, 如需双提拉则下单时说明。
注2: QJ102A与QJ102的主要性能区别在于QJ102A的制动模块对导轨损伤微小。
Note: The safety gear is set with standard single-pull linkage configurations as shown in the figure. If double-pull linkage configuration is required, please specify when placing the order.

技术参数 Technical specification

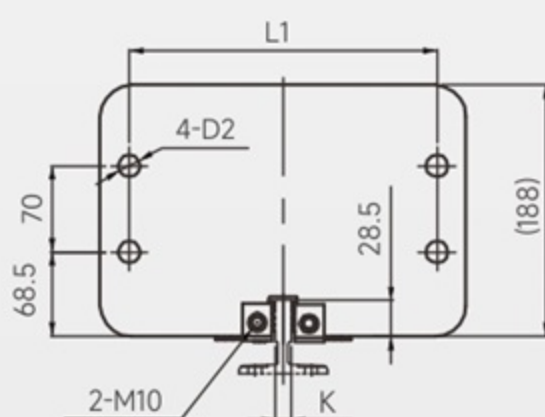
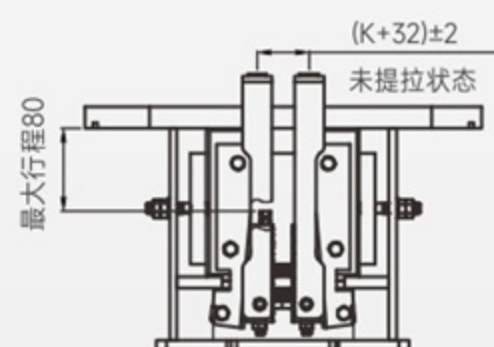
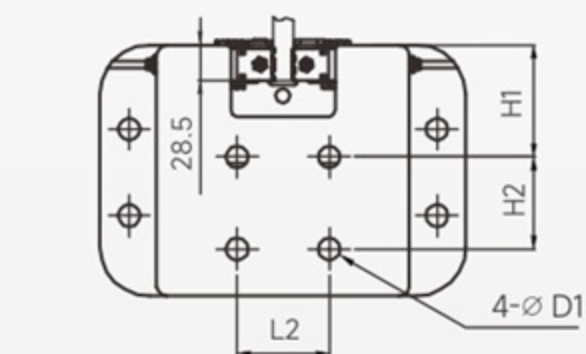
型号 Type	认证类别 Certification	额定速度V(m/s) Rated speed	允许质量P+Q (kg) Permissible mass	导轨宽度K (mm) Width of guide rails
QJ102	GB	0.25 ~ 2.5	1200-4000	10、15.88、16
QJ102A	GB	0.25 ~ 2.5	700-3000	10、16

QJ105/QJ107

渐进式安全钳
Progressive Type
Safety Gear



安装示意图 Installation diagram



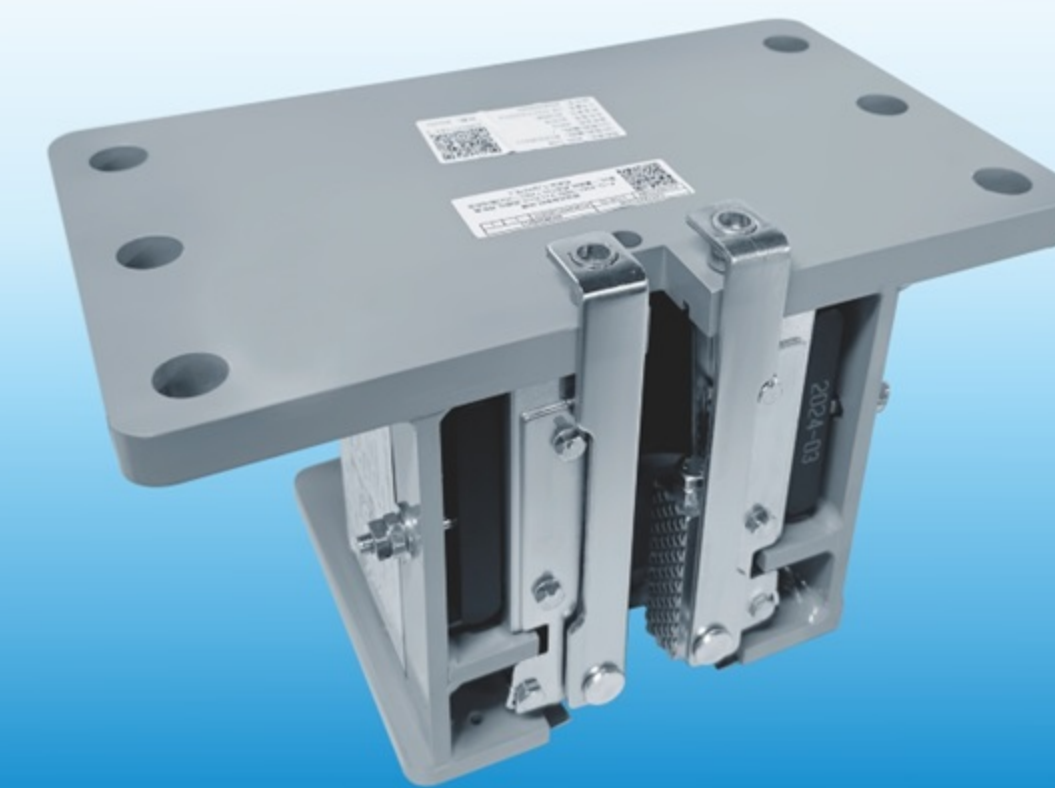
识别号	L1	L2×H2	H1	D1	D2	推荐使用导轨
QJ105-A01	210	75×75	91	18	M16	HH102/HH102A/YP50
QJ105-A02	210	90×65	94.5	15	M16	YP50
QJ105-B01	230	75×75	91	18	∅18	HH102/HH102A/HH102B
QJ105-C01	250	75×75	91	18	∅18	HH102/HH102A/HH102B
QJ107-B01	230	75×75	91	18	∅18	HH103/HH103B
QJ107-C01	250	75×75	91	18	∅18	HH103/HH103B

技术参数 Technical specification

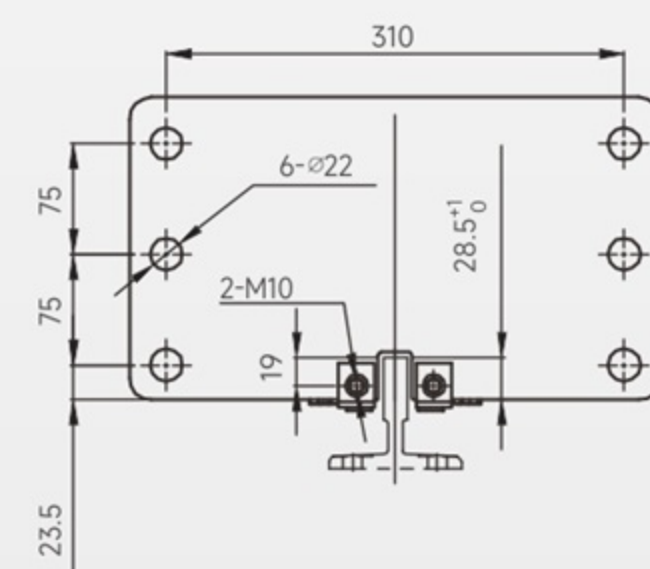
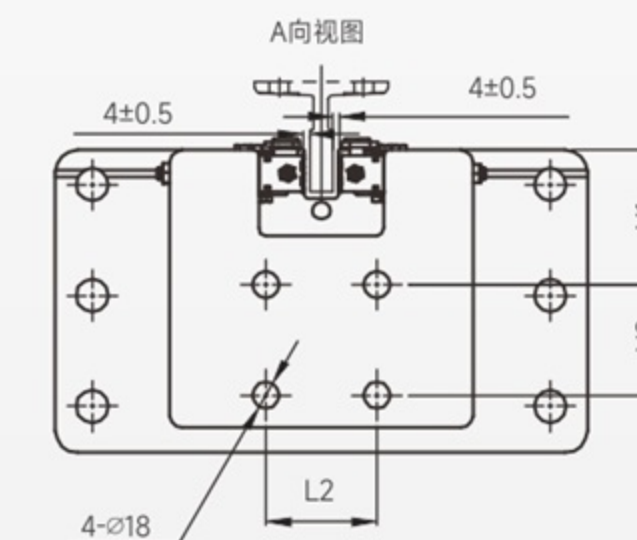
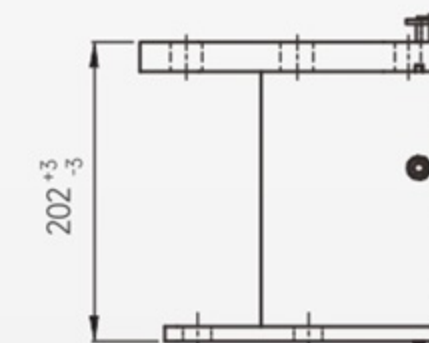
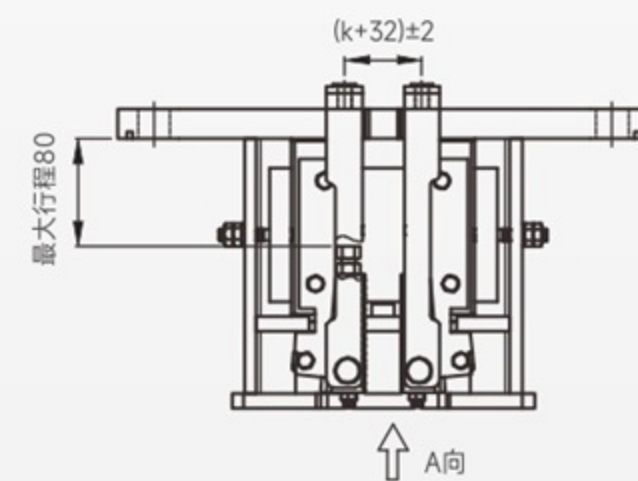
型号 Type	认证类别 Certification	额定速度V(m/s) Rated speed	允许质量P+Q (kg) Permissible mass	导轨宽度K (mm) Width of guide rails
QJ105	GB	0.25 ~ 2.5	2500~4200	10、16
QJ107	GB	0.5 ~ 2.5	4500~6500	10、15.88/16

QJ107B

渐进式安全钳
Progressive Type
Safety Gear



安装示意图 Installation diagram



L2×H2	H1	适配导轨
75×75	91	HH105/HH105A/HH104/HH103B
125×75	91	HH105/HH105A/HH103B

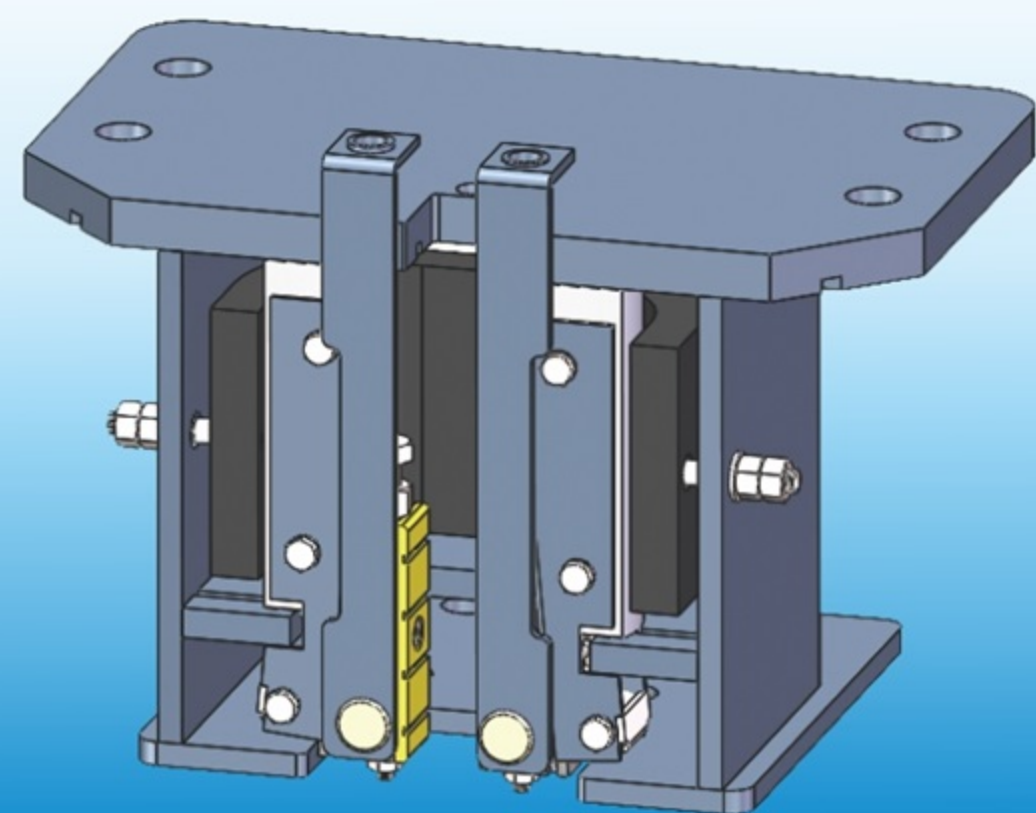
技术参数 Technical specification

型号 Type	认证类别 Certification	额定速度V(m/s) Rated speed	允许质量P+Q (kg) Permissible mass	导轨宽度K (mm) Width of guide rails
QJ107B	GB	0.25~1.0	3500~9500	10、16、19

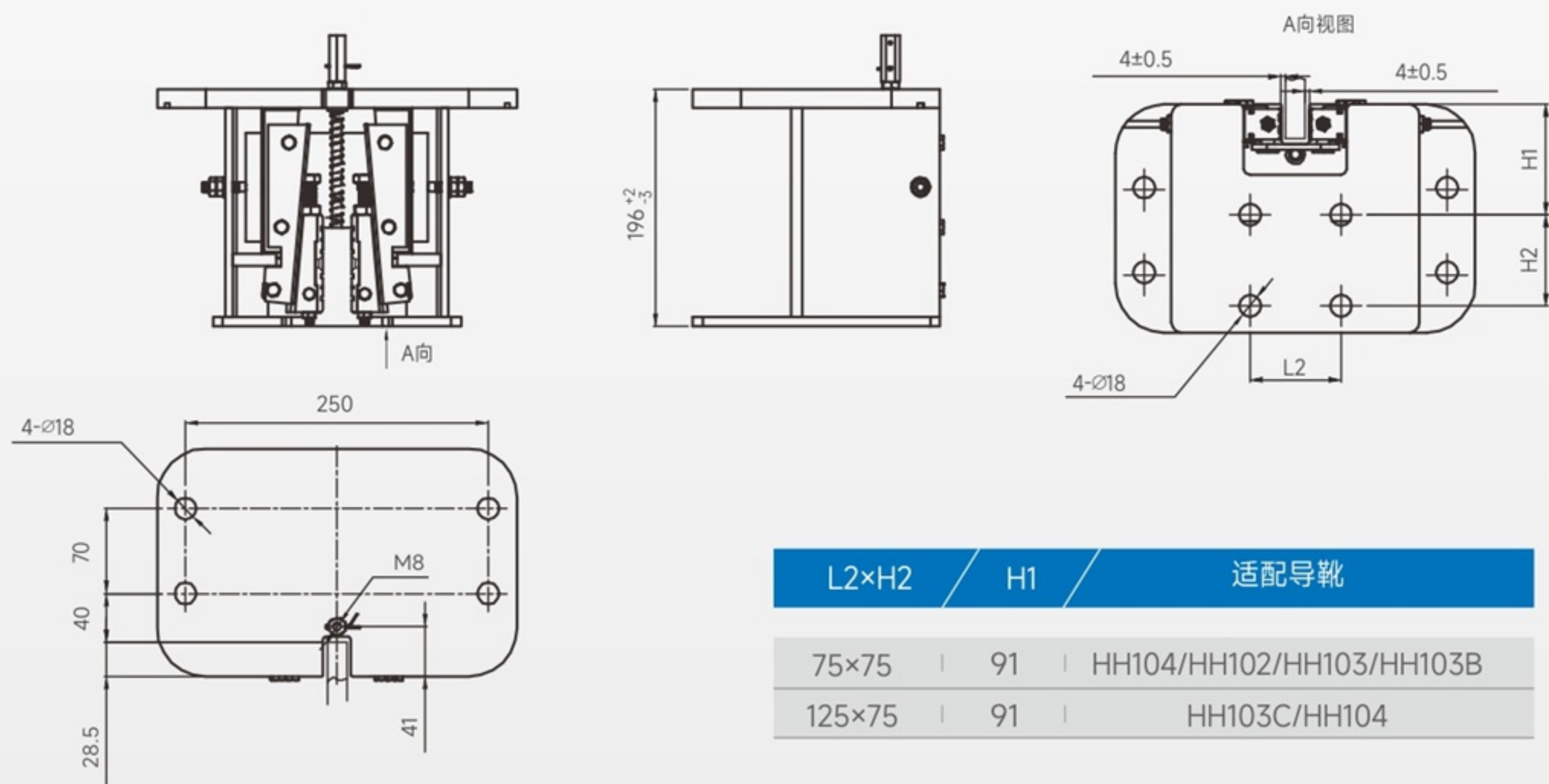
注：QJ107B安全钳分为单提拉形式和双提拉形式，标配为双提拉，如需要单提拉形式请在下单时注明。
Note: QJ107B safety tongs are divided into single lifting and double lifting forms, with double lifting positions as standard. If a single lifting form is required, please indicate it when placing an order.

FB107

防爆安全钳
Explosion Proof
Safety Pliers



安装示意图 Installation diagram



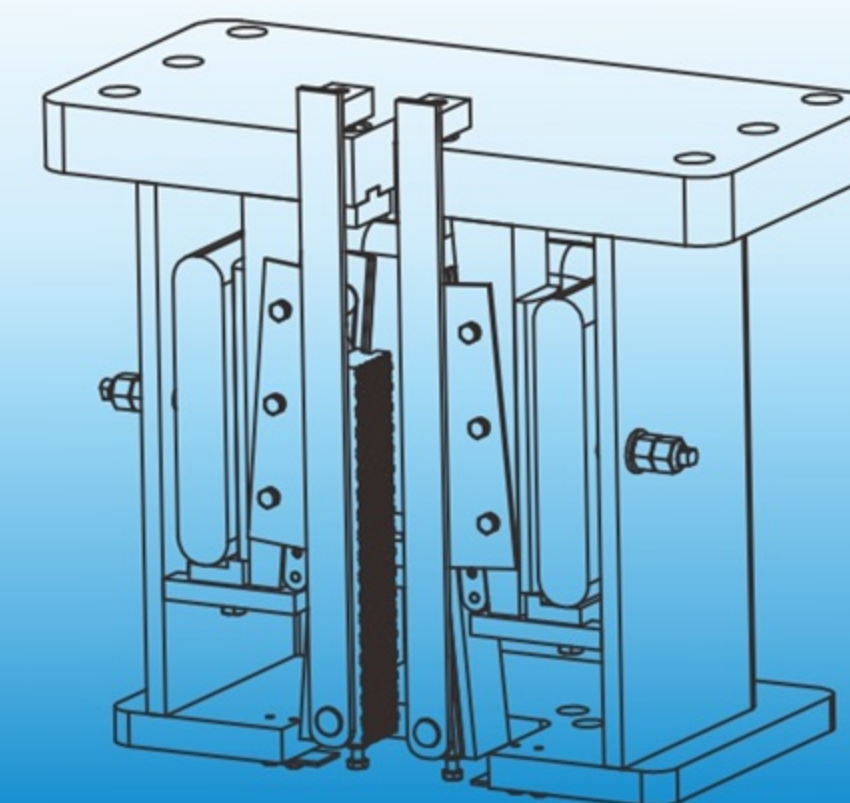
技术参数 Technical specification

型号 Type	认证类别 Certification	额定速度V(m/s) Rated speed	允许质量P+Q (kg) Permissible mass	导轨宽度K (mm) Width of guide rails
FB107	GB	0.5-1.0	3500-6500	10、16

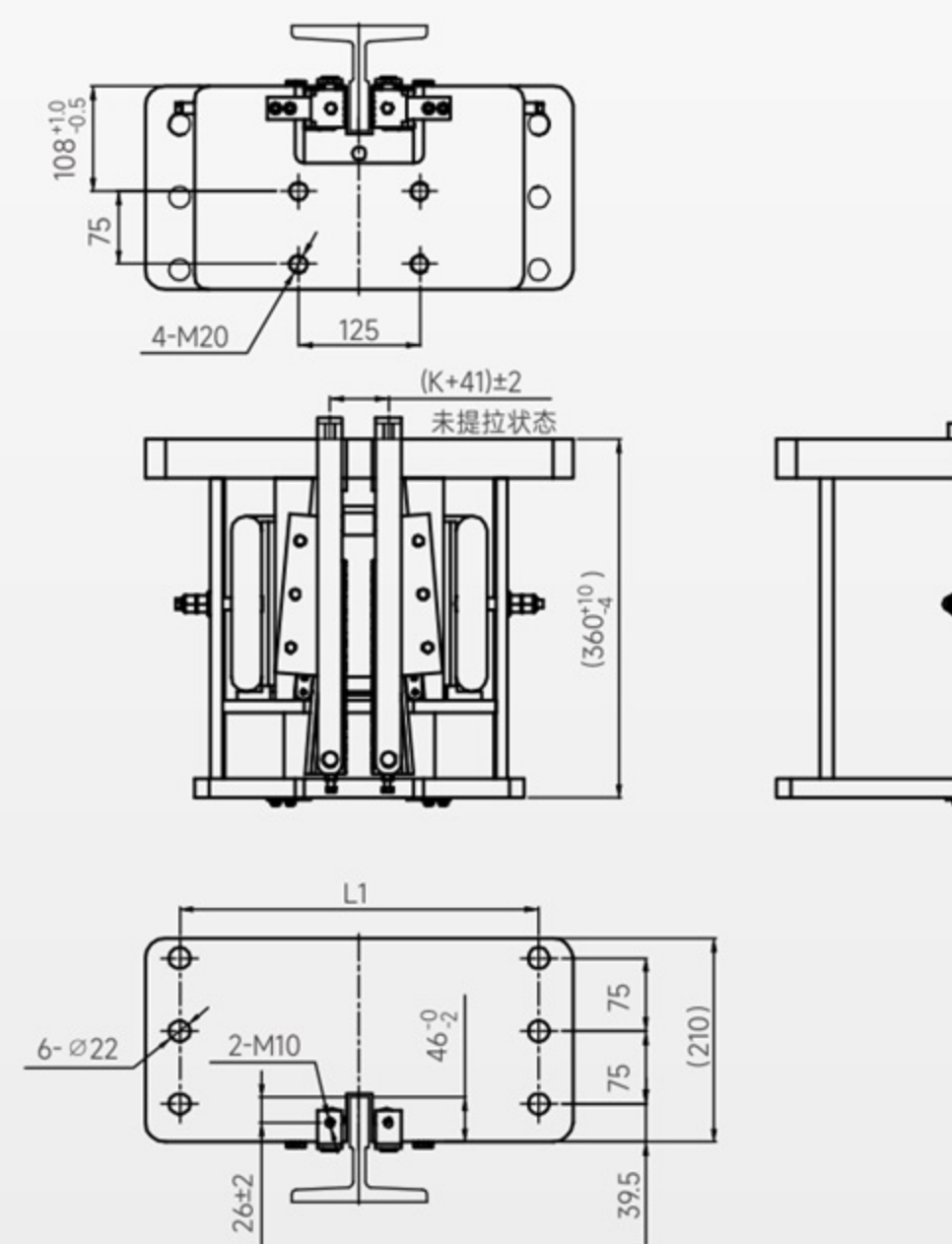
注：FB107防爆安全钳为防爆梯用安全钳。提拉形式分为单提拉形式和双提拉形式，标配为双提拉，如需要单提拉形式请在下单时注明。
Note: FB107 explosion-proof safety pliers are safety pliers for explosion-proof ladders. The lifting form is divided into single lifting form and double lifting form. The standard configuration is double lifting form. If a single lifting form is required, please indicate it when placing an order.

QJ108

渐进式安全钳
Progressive Type
Safety Gear



安装示意图 Installation diagram



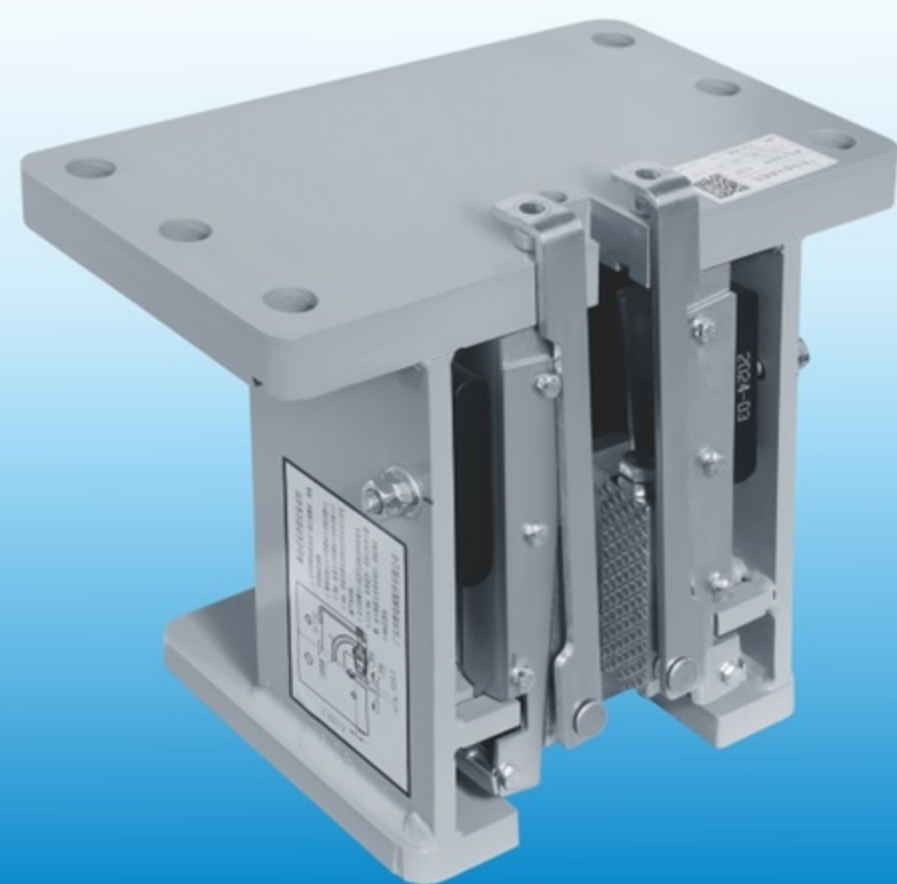
注：当需开孔L1小于350时，应该开螺纹孔
NOTE: WHEN L1 < 350, A THREADED HOLE SHALL BE PROVIDED.

技术参数 Technical specification

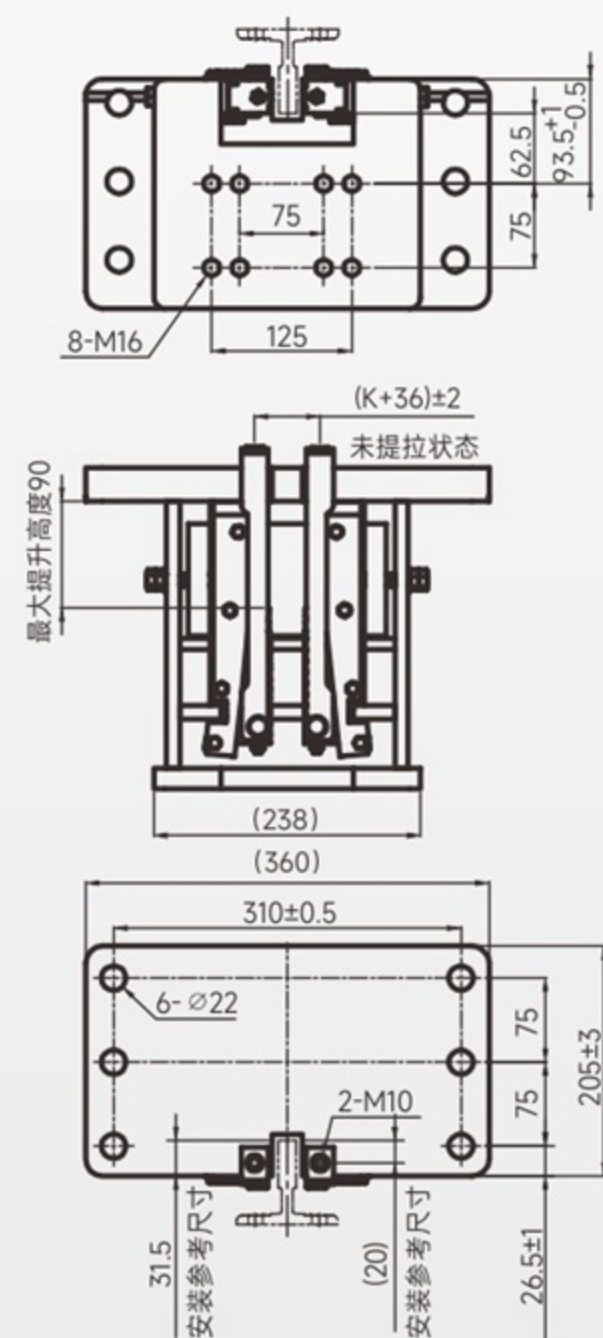
型号 Type	认证类别 Certification	额定速度V(m/s) Rated speed	允许质量P+Q (kg) Permissible mass	导轨宽度K (mm) Width of guide rails
QJ108	GB	0.25 ~ 1.75	10000-22000	16、19、28.6、31.75

QJ109

渐进式安全钳
Progressive Type
Safety Gear



安装示意图 Installation diagram



QJ109安全钳分为单提拉形式和双提拉形式，标配为双提拉，如需要单提拉形式请在下单时注明

推荐使用导轨 Recommend using guide shoe	导轨宽度K (mm) Width of guide rails
HH104、HH105	16、19

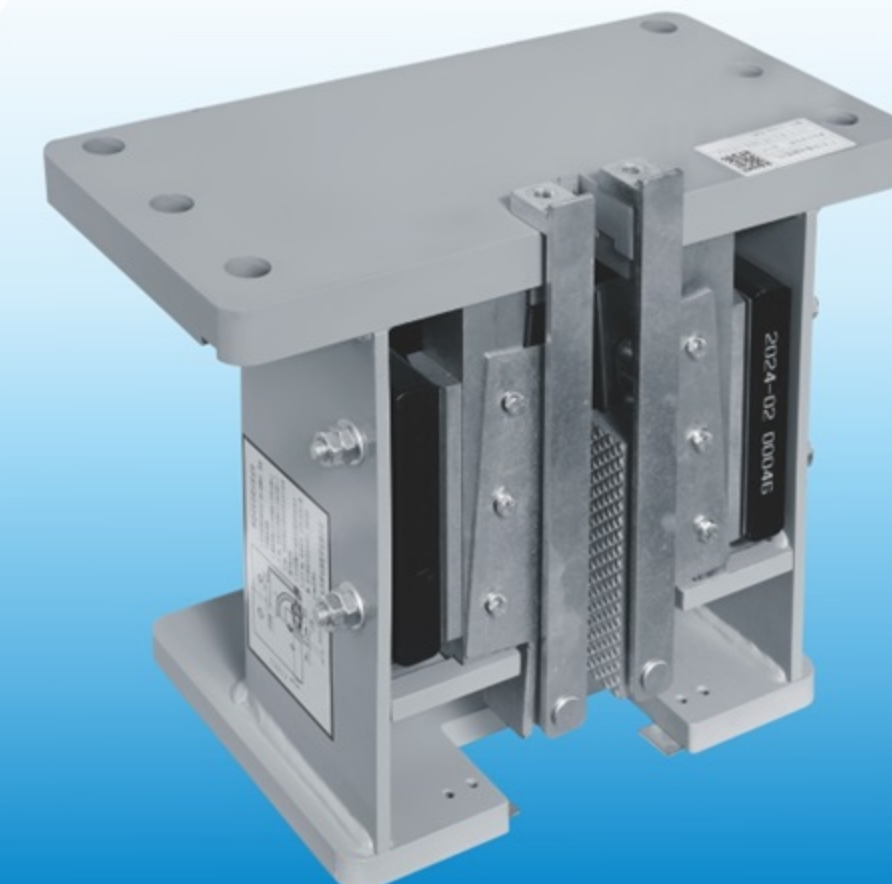
技术参数 Technical specification

型号 Type	认证类别 Certification	额定速度V(m/s) Rated speed	允许质量P+Q (kg) Permissible mass	导轨宽度K (mm) Width of guide rails
QJ109	GB、CE	0.25 ~ 2.0	7000 ~ 12000	16、19、28.6

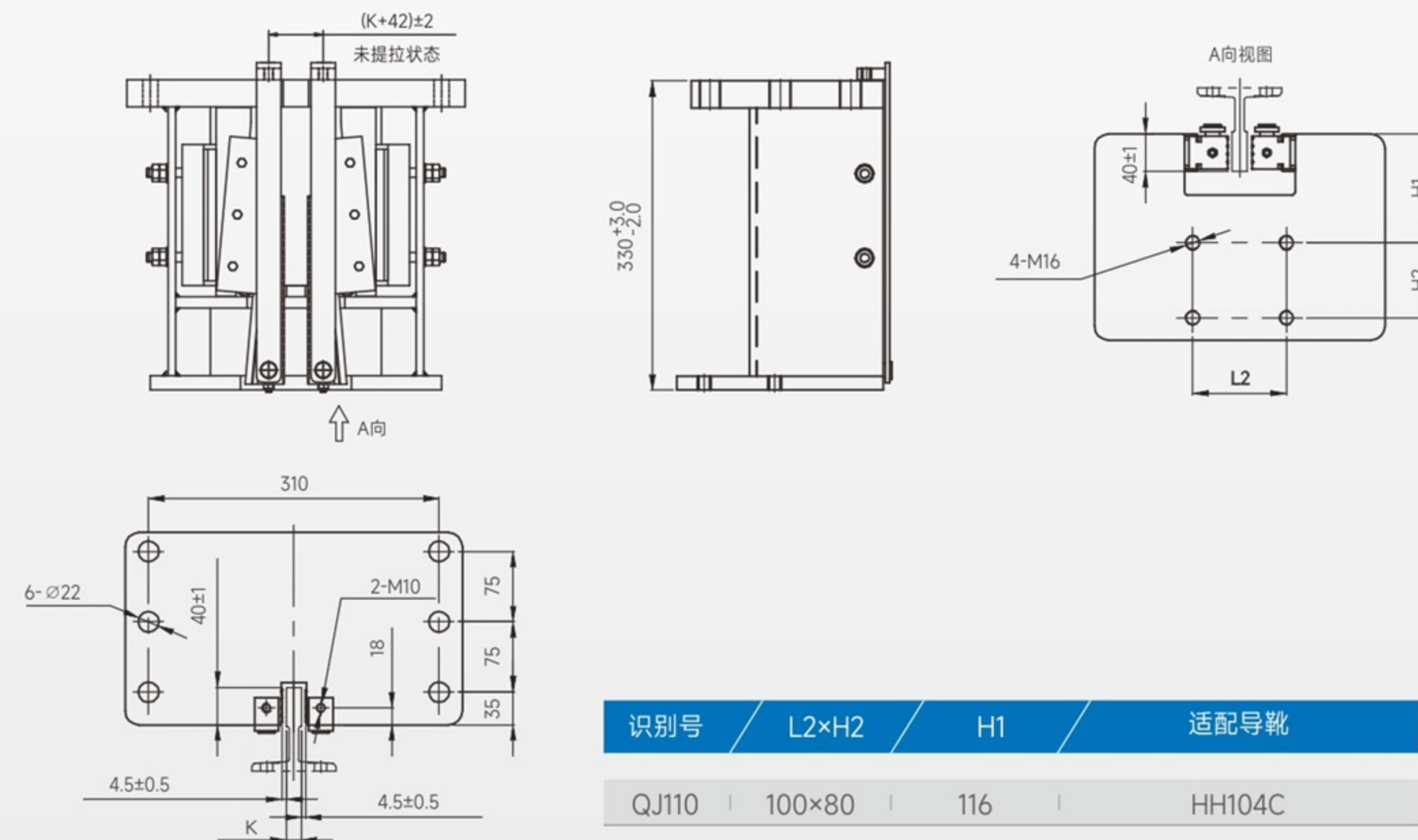
专利号：CN202311537351.1

QJ110

渐进式安全钳
Progressive Type
Safety Gear



安装示意图 Installation diagram



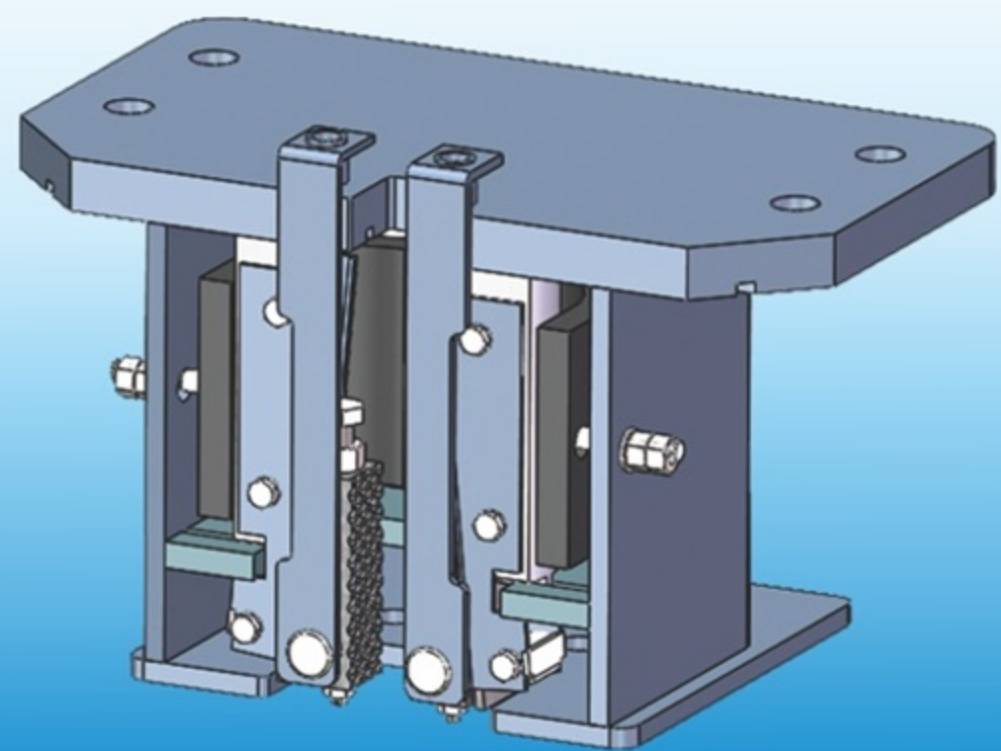
技术参数 Technical specification

型号 Type	认证类别 Certification	额定速度V(m/s) Rated speed	允许质量P+Q (kg) Permissible mass	导轨宽度K (mm) Width of guide rails
QJ110	GB	1.0~3.0	11300±7.5%	16、19

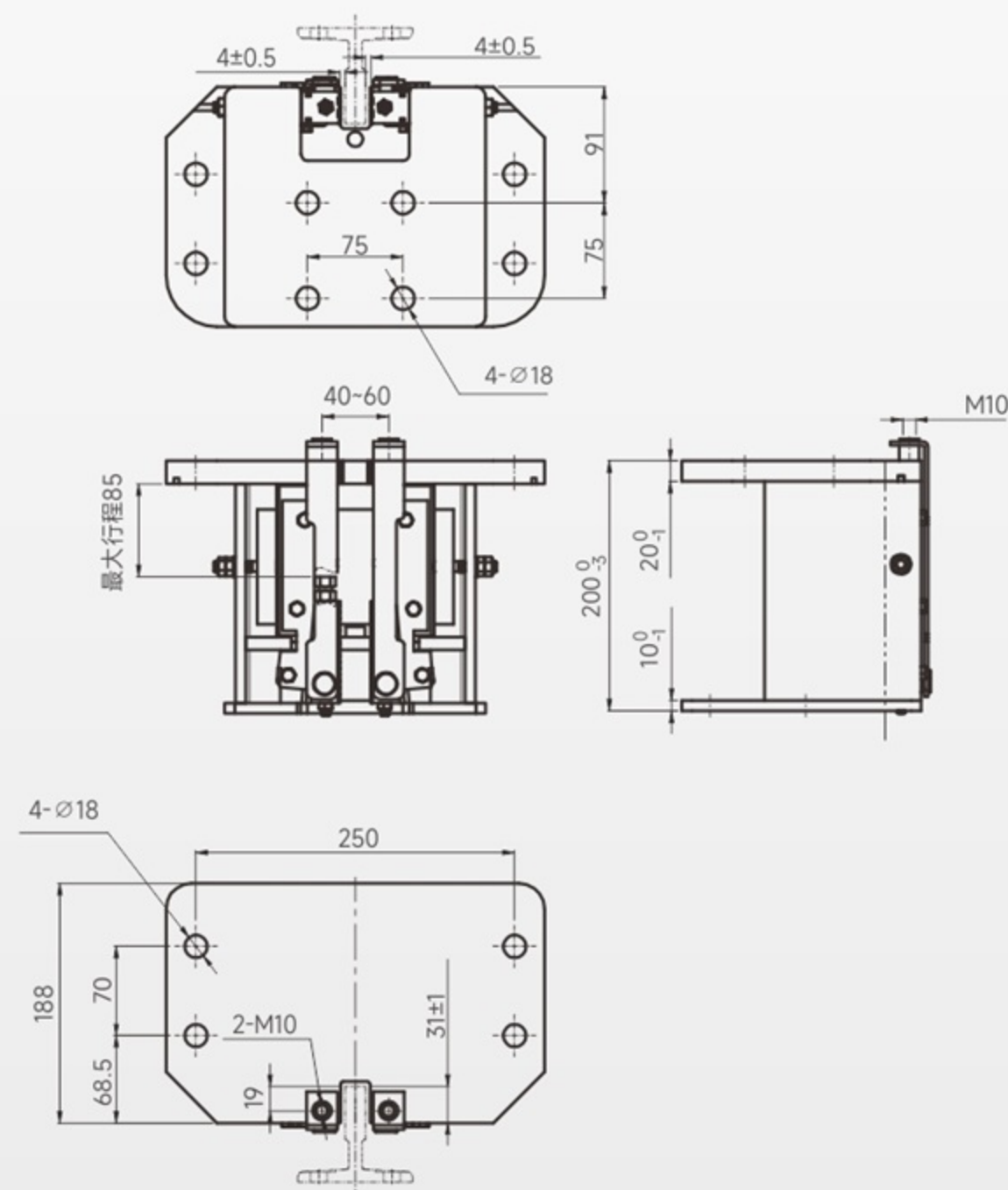
注：QJ110安全钳分为单提拉形式和双提拉形式，标配为双提拉，如需要单提拉形式请在下单时注明。
Note: QJ110 safety tongs are divided into single lifting and double lifting forms, with double lifting positions as standard. If a single lifting form is required, please indicate it when placing an order.

QJ112

渐进式安全钳
Progressive Type
Safety Gear



安装示意图 Installation diagram



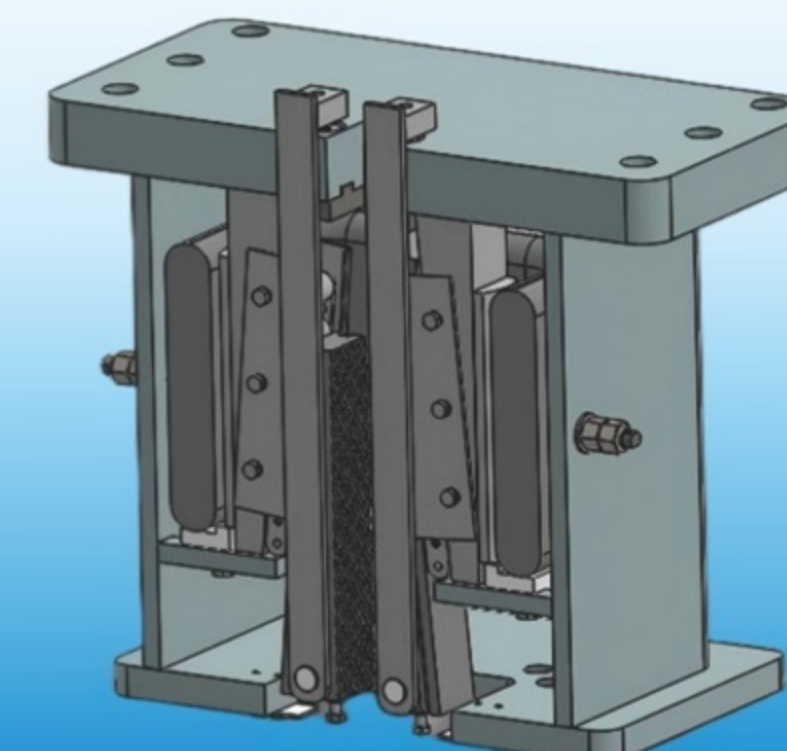
技术参数 Technical specification

型号 Type	认证类别 Certification	额定速度V(m/s) Rated speed	允许质量P+Q (kg) Permissible mass	导轨宽度K (mm) Width of guide rails
QJ112	GB	3.0 - 4.0	2500-4500	16、19

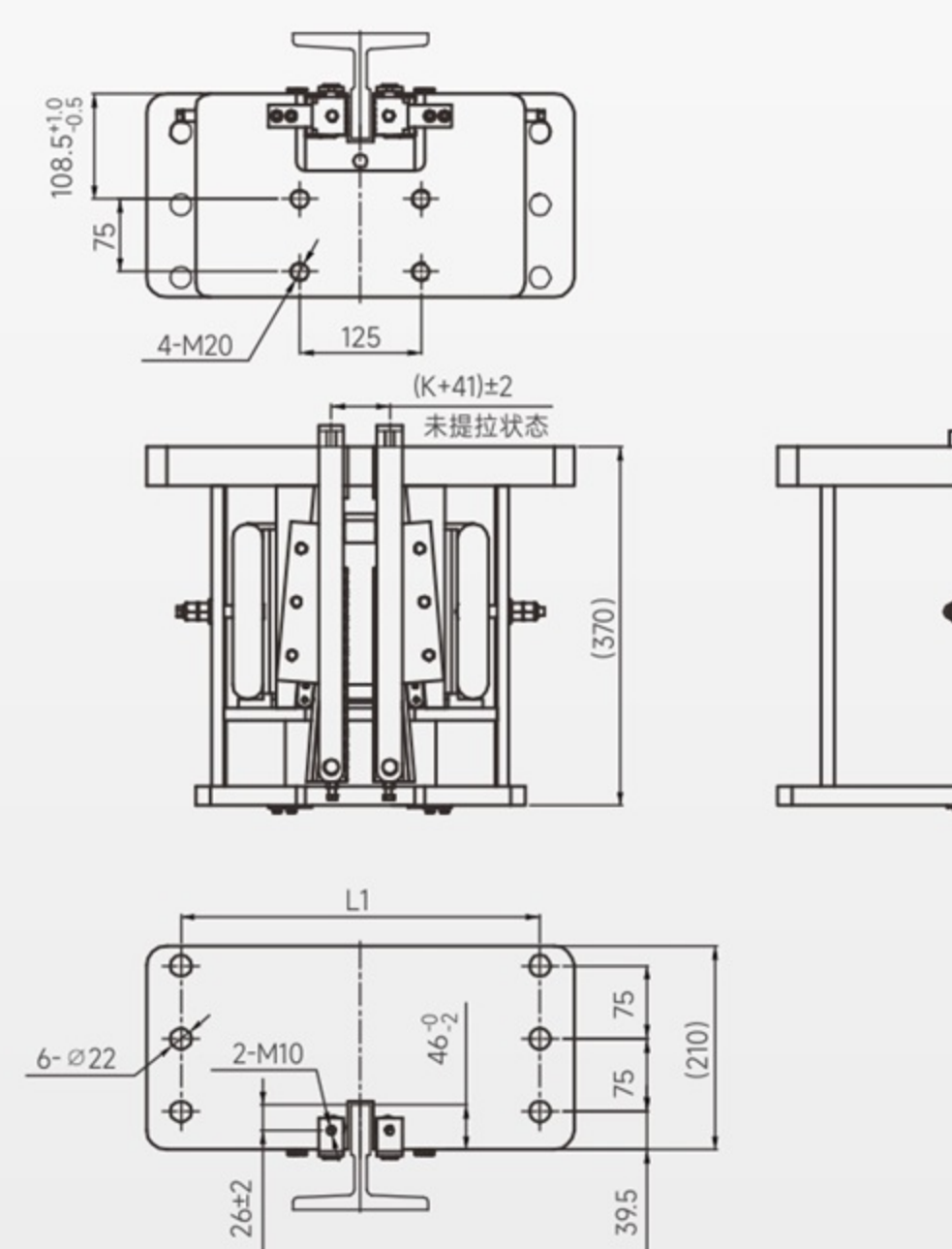
专利号: CN201620759556.3

QJ113

渐进式安全钳
Progressive Type
Safety Gear



安装示意图 Installation diagram



技术参数 Technical specification

型号 Type	认证类别 Certification	额定速度V(m/s) Rated speed	允许质量P+Q (kg) Permissible mass	导轨宽度K (mm) Width of guide rails
QJ113	GB	0.25 - 1.0	17000-30000	16、19、28.6、31.75

识别号 Identifier	L1	推荐使用导靴 Recommend using guide shoe
QJ113_Z01	350	HH105/HH105A
QJ113_Z02	370	HH105/HH105A

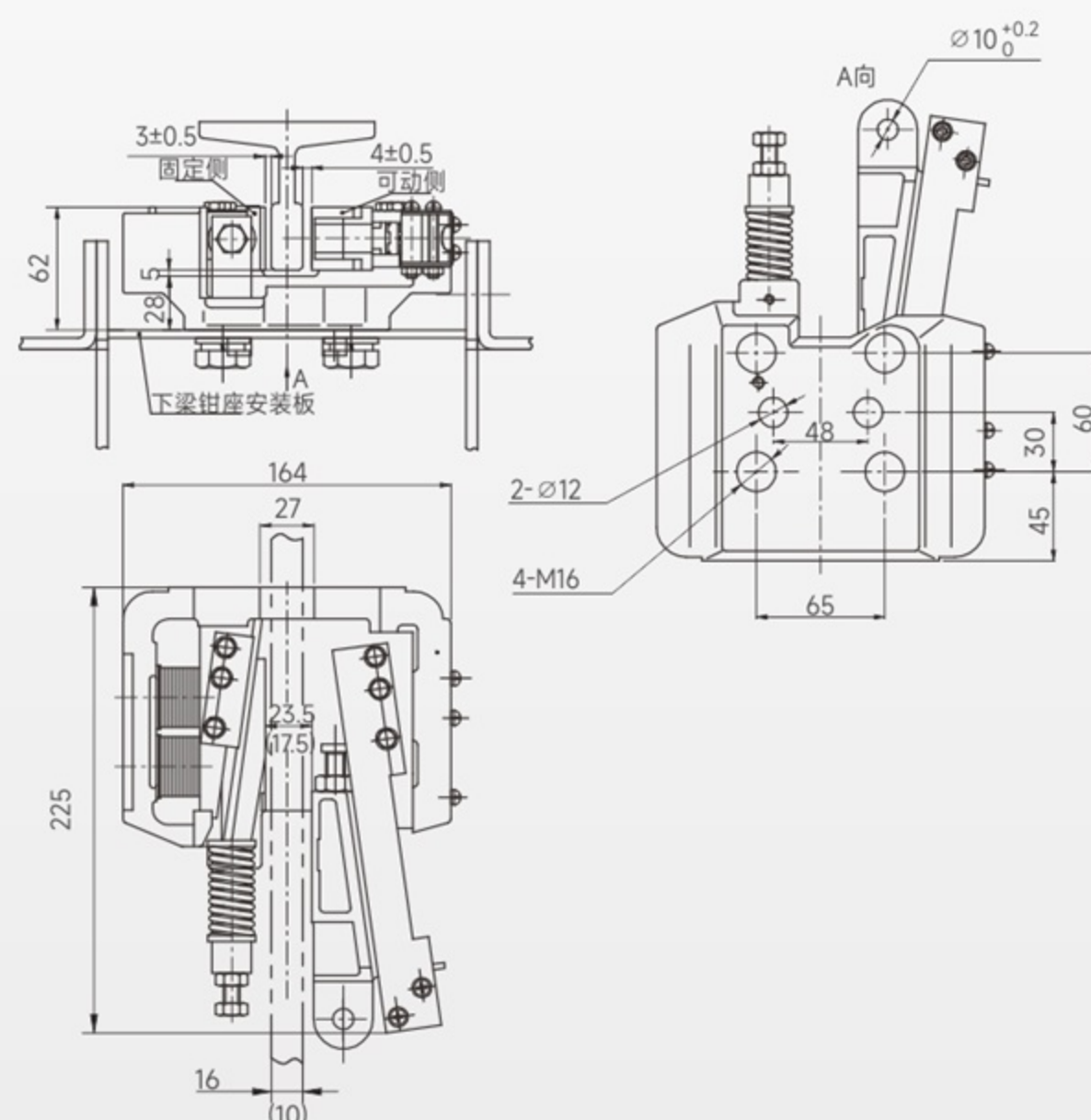
注: 当需开孔L1小于350时, 应该开螺纹孔
NOTE: WHEN L1 < 350, A THREADED HOLE SHALL BE PROVIDED.

AQJ167

渐进式安全钳
Progressive Type
Safety Gear



安装示意图 Installation diagram

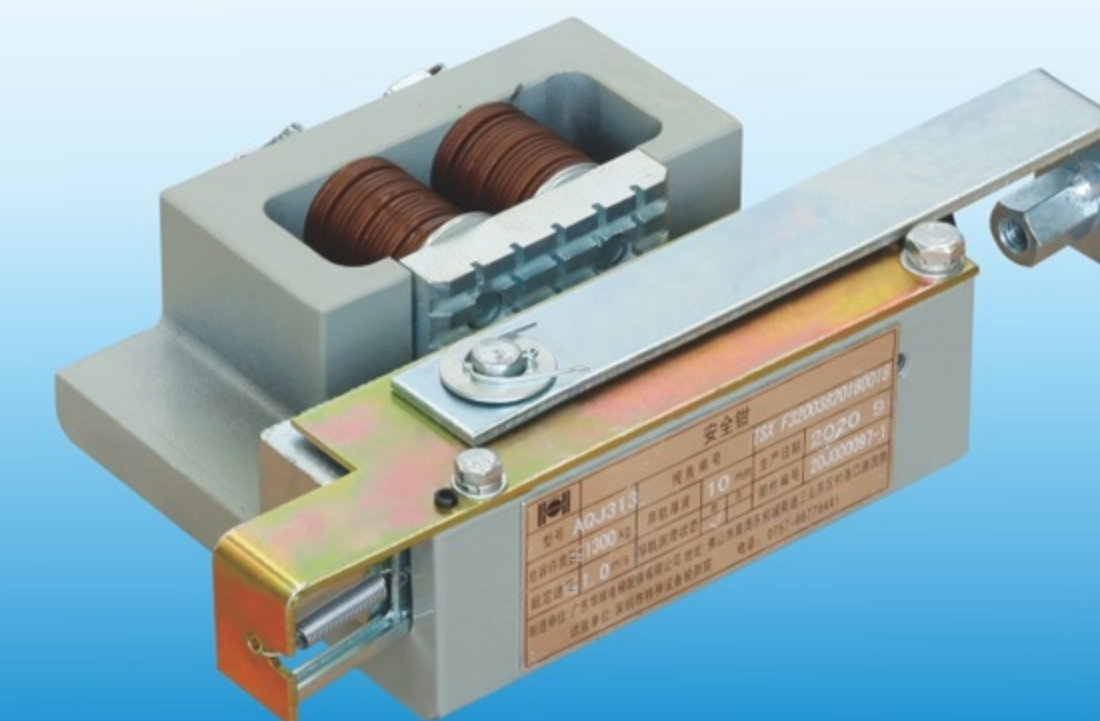


技术参数 Technical specification

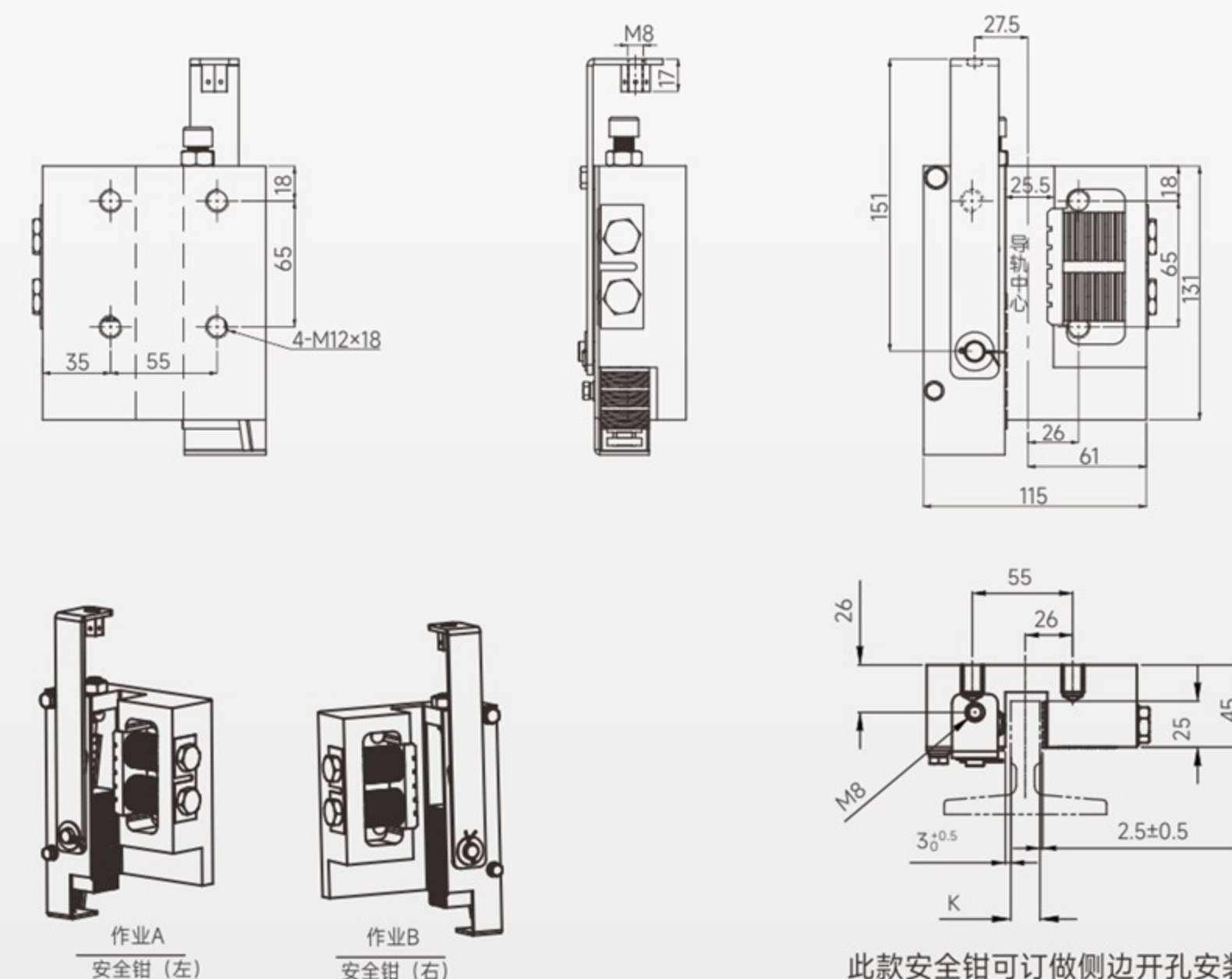
型号 Type	认证类别 Certification	额定速度V(m/s) Rated speed	允许质量P+Q (kg) Permissible mass	导轨宽度K (mm) Width of guide rails
AQJ167	GB	0.25~2.5	1000~4000	10、16

AQJ313

渐进式安全钳
Progressive Type
Safety Gear



安装示意图 Installation diagram



此款安全钳可订做侧边开孔安装

技术参数 Technical specification

型号 Type	认证类别 Certification	额定速度V(m/s) Rated speed	允许质量P+Q (kg) Permissible mass	导轨宽度K (mm) Width of guide rails
AQJ313	GB	0.25 ~ 2.5	700 ~ 3000	10、16

QSX102

瞬时式安全钳
Instantaneous
Safety Gear

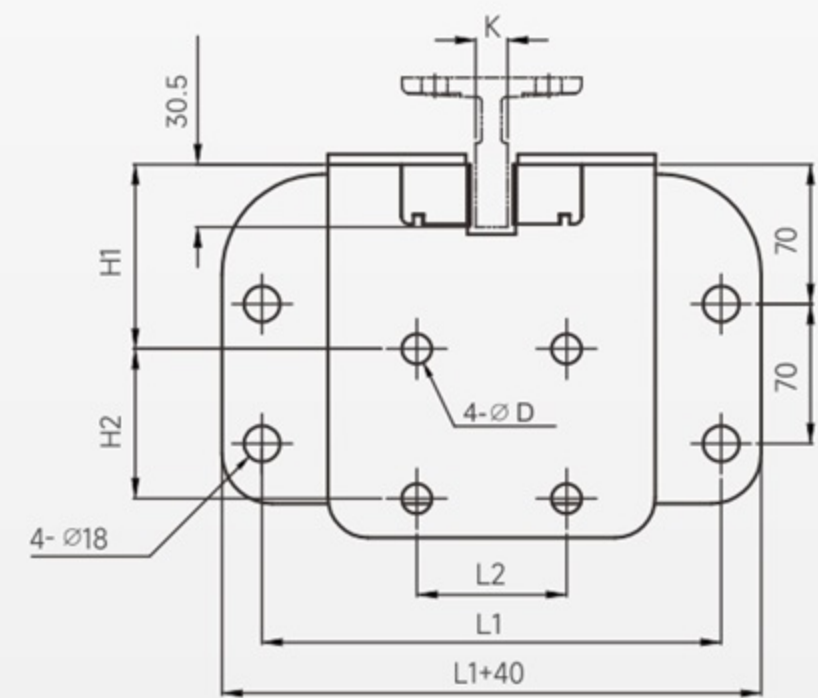


QSX103

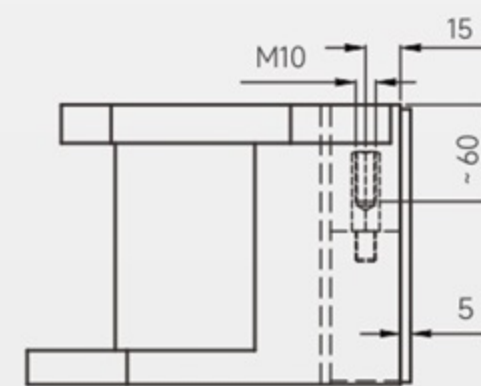
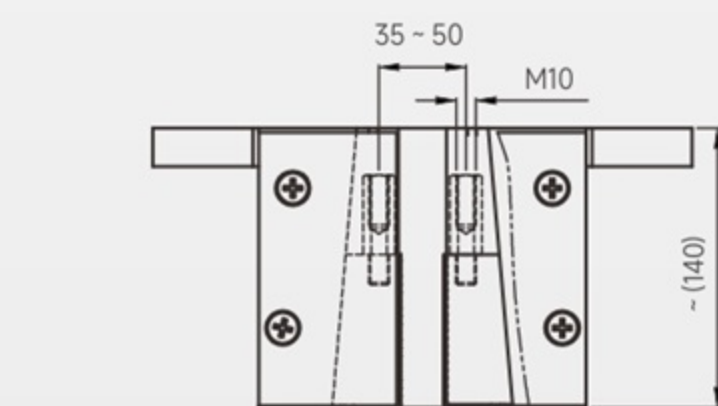
瞬时式安全钳
Instantaneous
Safety Gear



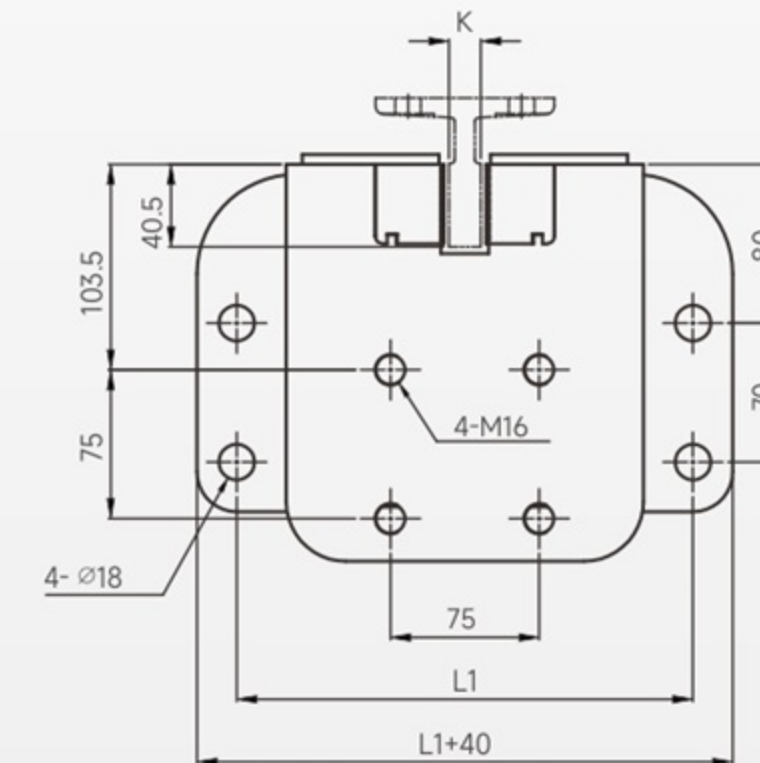
安装示意图 Installation diagram



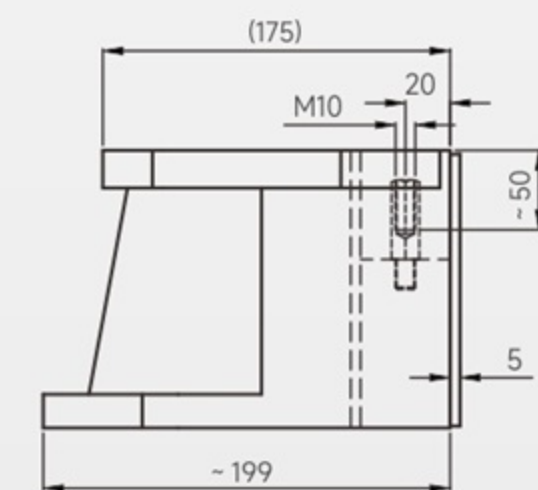
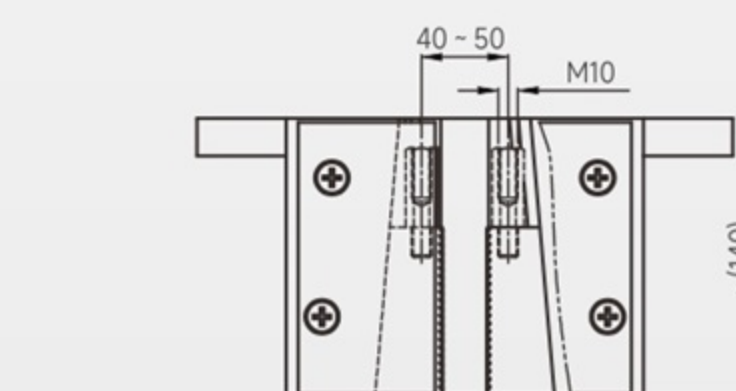
作业	L1	L2×H2	H1	∅D	适配导轨
A	210	75×75	93	18	HH102
B	230	75×75	93	18	HH102/HH103
C	250	75×75	93	18	HH102/HH103



安装示意图 Installation diagram



作业	L1	适配导轨
A	230	HH103、HH103B
B	250	HH103、HH103B



技术参数 Technical specification

型号 Type	认证类别 Certification	额定速度V(m/s) Rated speed	允许质量P+Q (kg) Permissible mass	导轨宽度K (mm) Width of guide rails
QSX102	GB	≤0.63	≤4500	10、16

技术参数 Technical specification

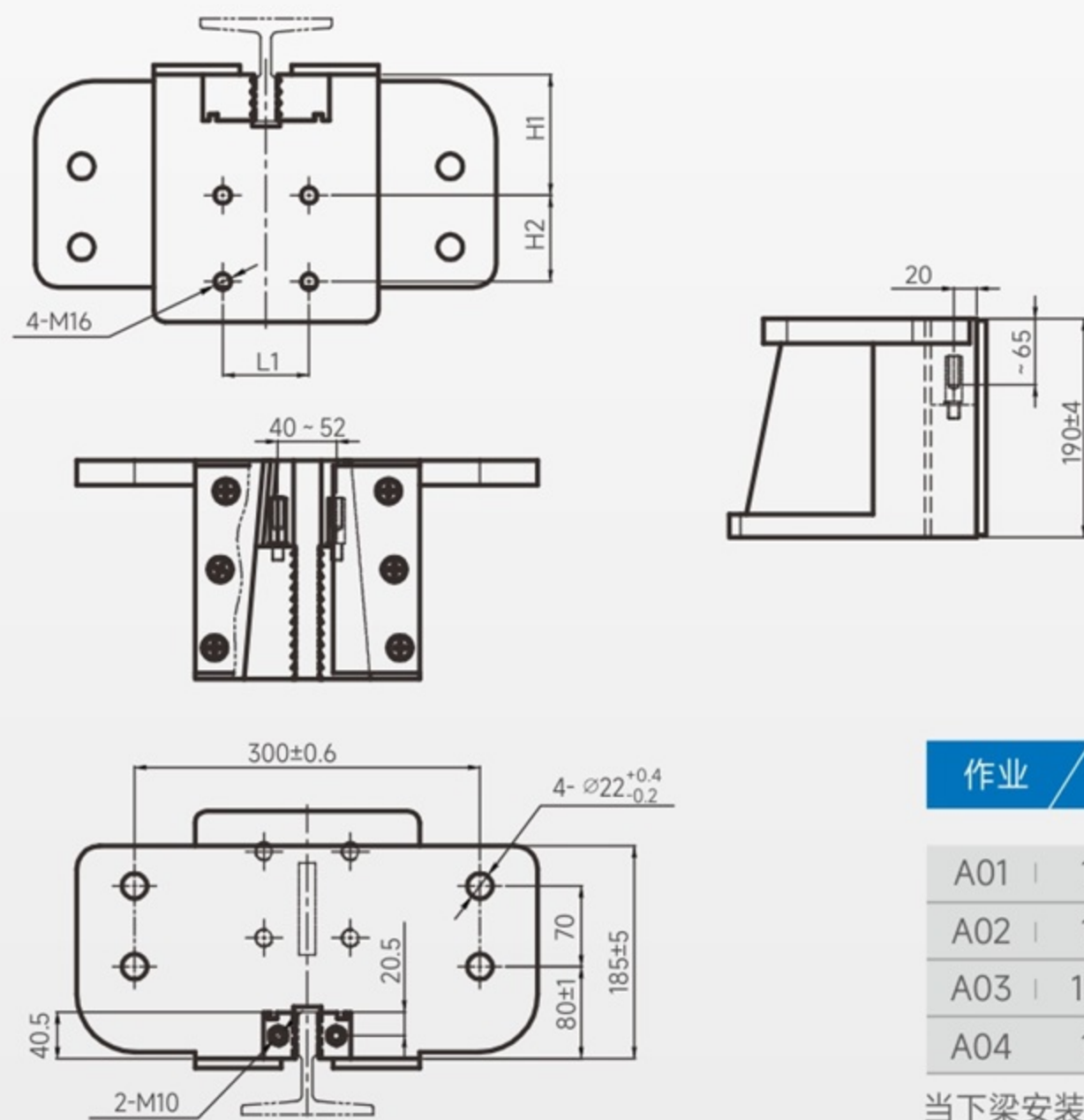
型号 Type	认证类别 Certification	额定速度V(m/s) Rated speed	允许质量P+Q (kg) Permissible mass	导轨宽度K (mm) Width of guide rails
QSX103	GB	≤0.63	≤6400	16

QSX105

瞬时式安全钳
Instantaneous
Safety Gear



安装示意图 Installation diagram



作业	H1	H2	L1	适配导轨
A01	105	75	75	HH104、HH105、HH105A
A02	105	75	125	HH105、HH105A
A03	116.5	80	100	HH104C
A04	105	75	75	HH103B

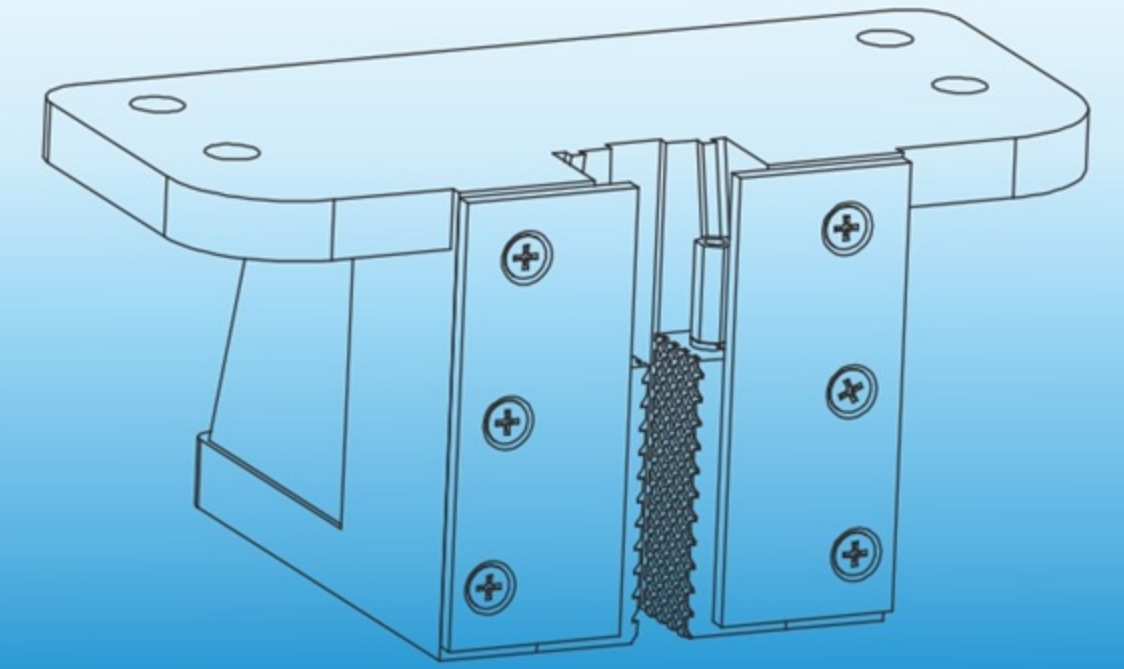
当下梁安装孔距非标时，推荐优先使用孔距320×70；350×70

技术参数 Technical specification

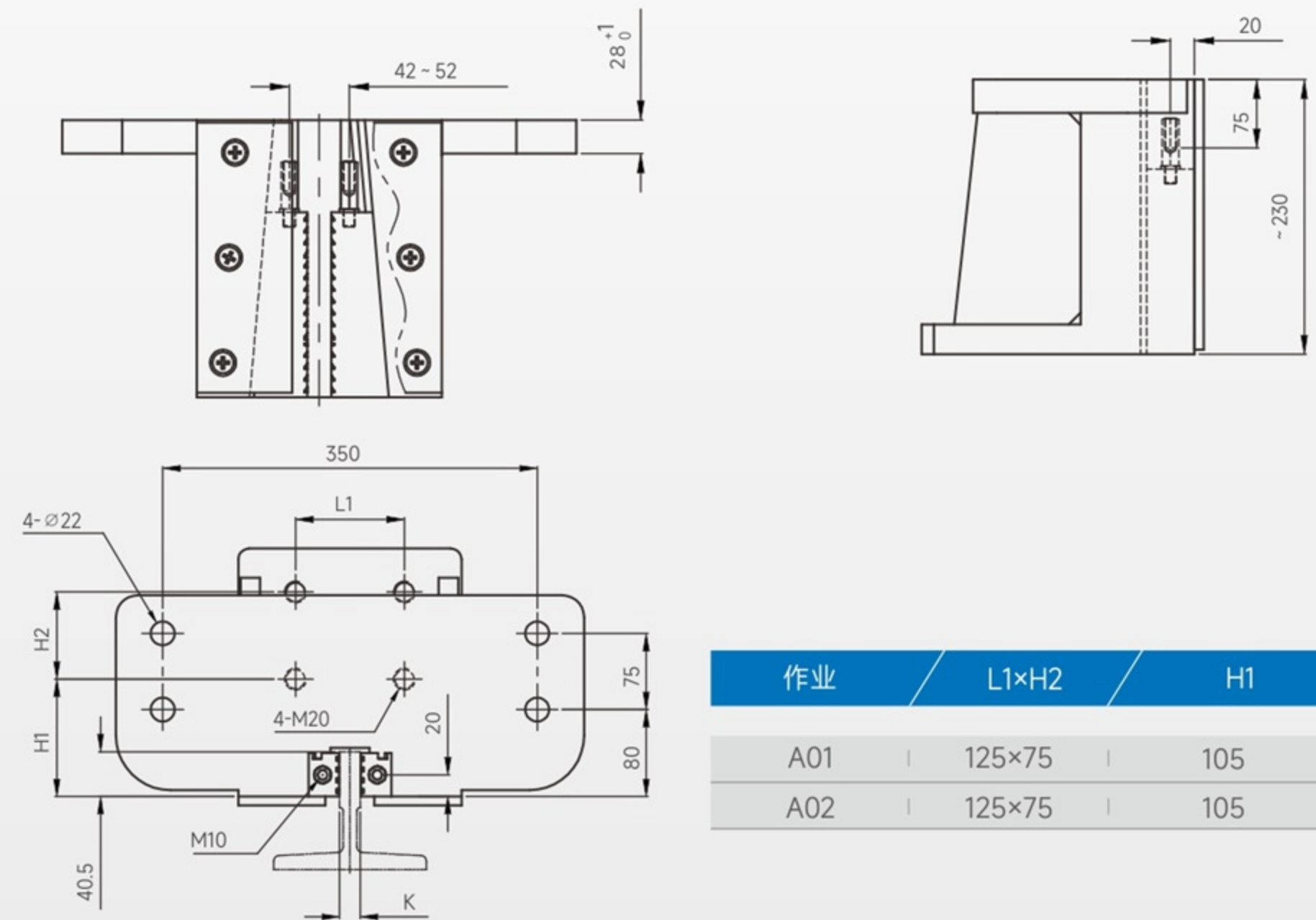
型号 Type	认证类别 Certification	额定速度V(m/s) Rated speed	允许质量P+Q (kg) Permissible mass	导轨宽度K (mm) Width of guide rails
QSX105	GB	≤0.63	≤15000	16、19

QSX106

瞬时式安全钳
Instantaneous
Safety Gear



安装示意图 Installation diagram



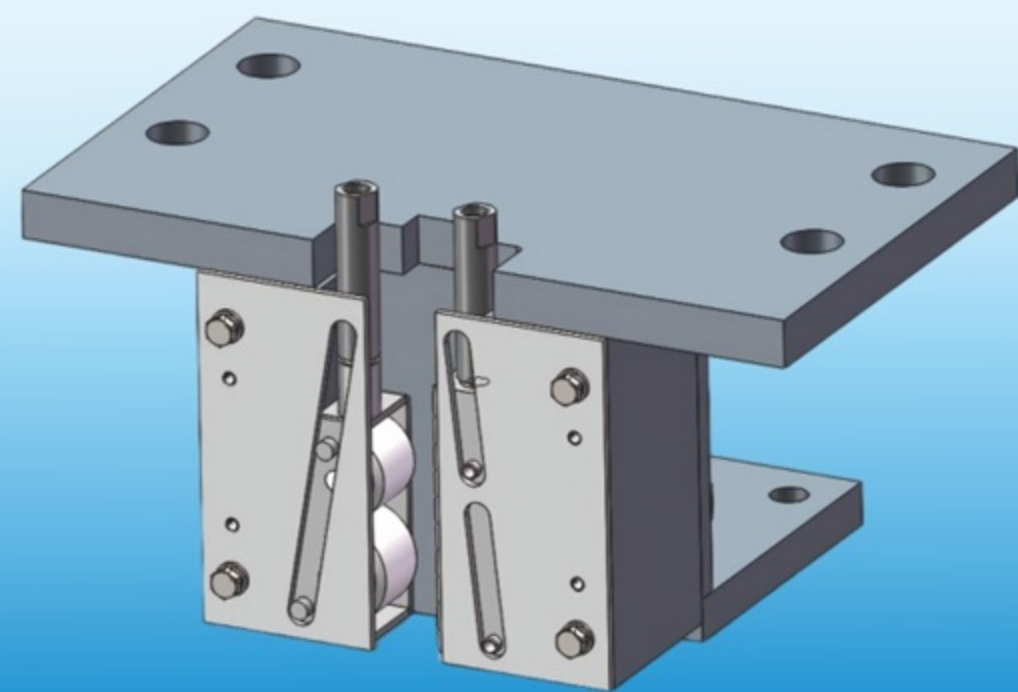
作业	L1×H2	H1	适配导轨
A01	125×75	105	HH105
A02	125×75	105	HH104

技术参数 Technical specification

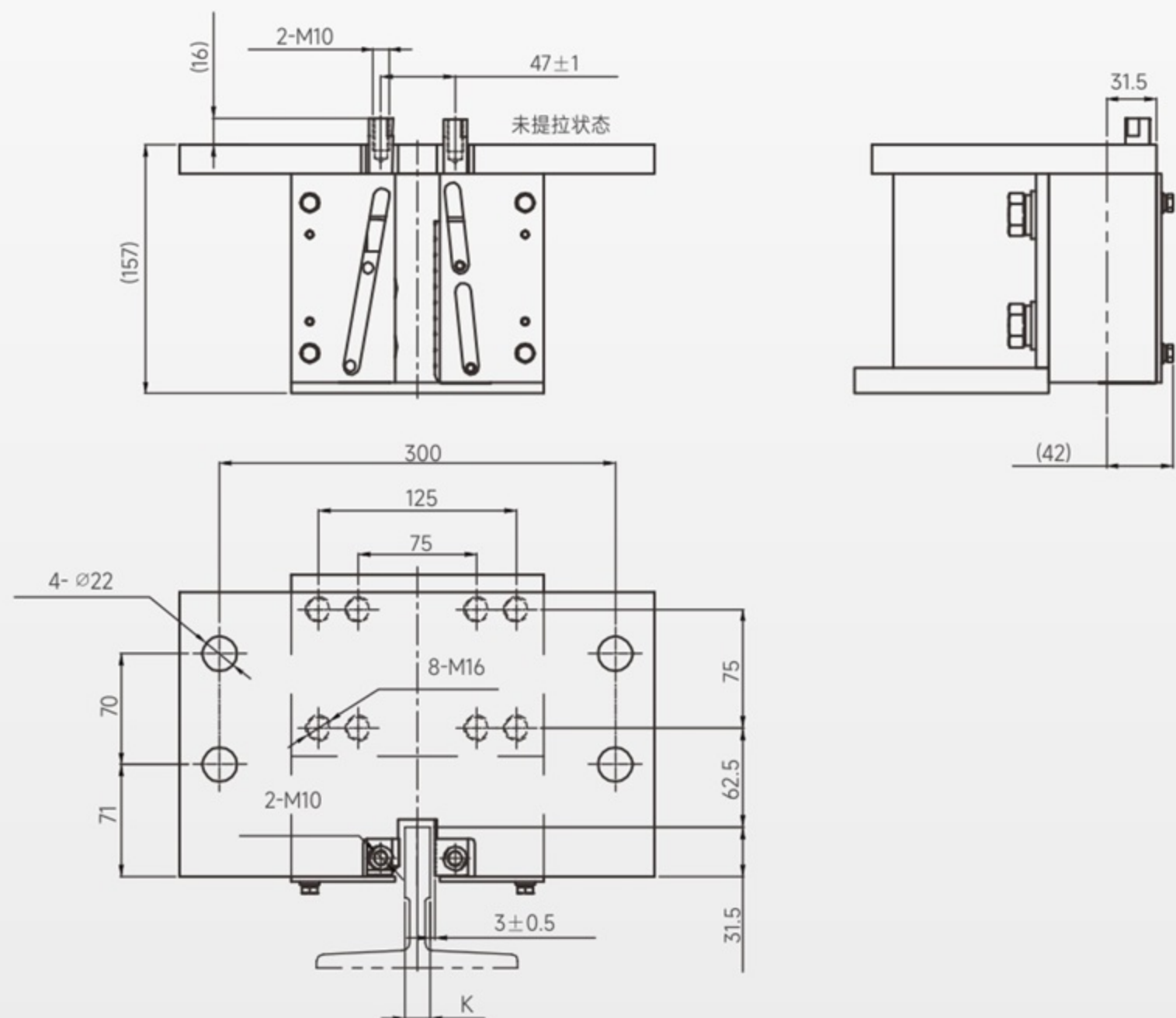
型号 Type	认证类别 Certification	额定速度V(m/s) Rated speed	允许质量P+Q (kg) Permissible mass	导轨宽度K (mm) Width of guide rails
QSX106	GB/CE	≤0.63	≤19500	16、19、28.6、31.75

QS201

瞬时式安全钳
Instantaneous
Safety Gear



安装示意图 Installation diagram

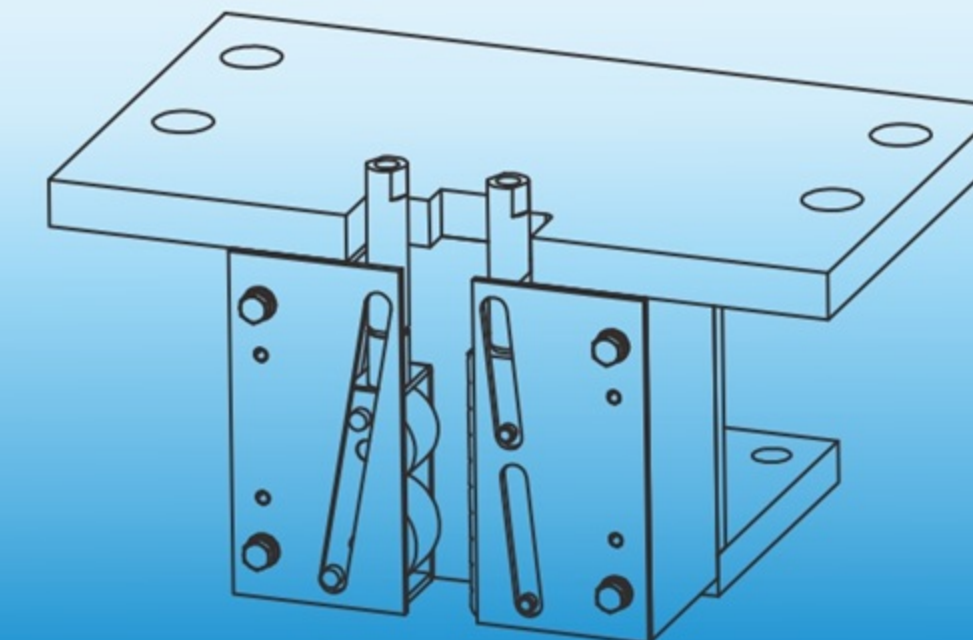


技术参数 Technical specification

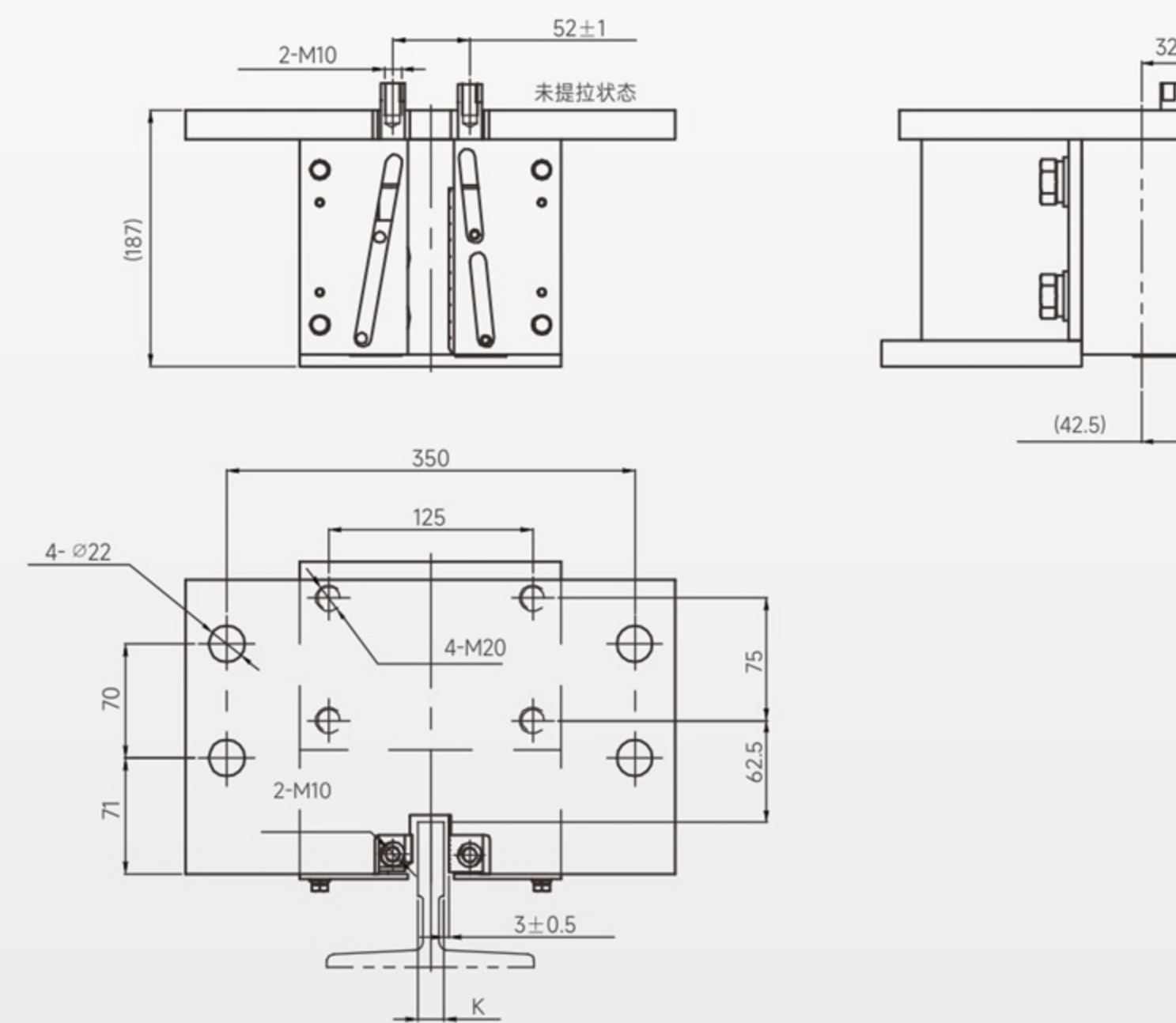
型号 Type	认证类别 Certification	额定速度V(m/s) Rated speed	允许质量P+Q (kg) Permissible mass	导轨宽度K (mm) Width of guide rails
QS201	GB	≤0.63	≤13500	15.88、16

QS202

瞬时式安全钳
Instantaneous
Safety Gear



安装示意图 Installation diagram

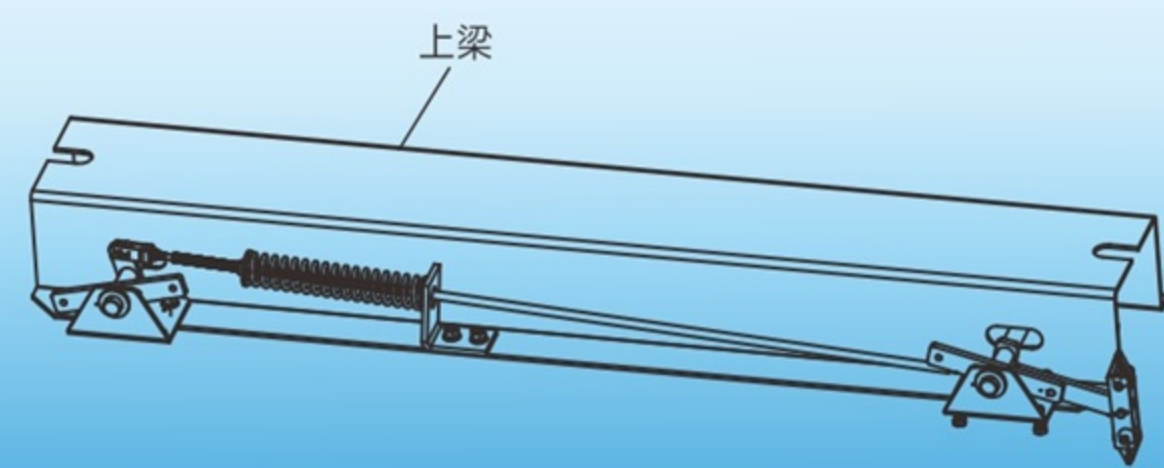


技术参数 Technical specification

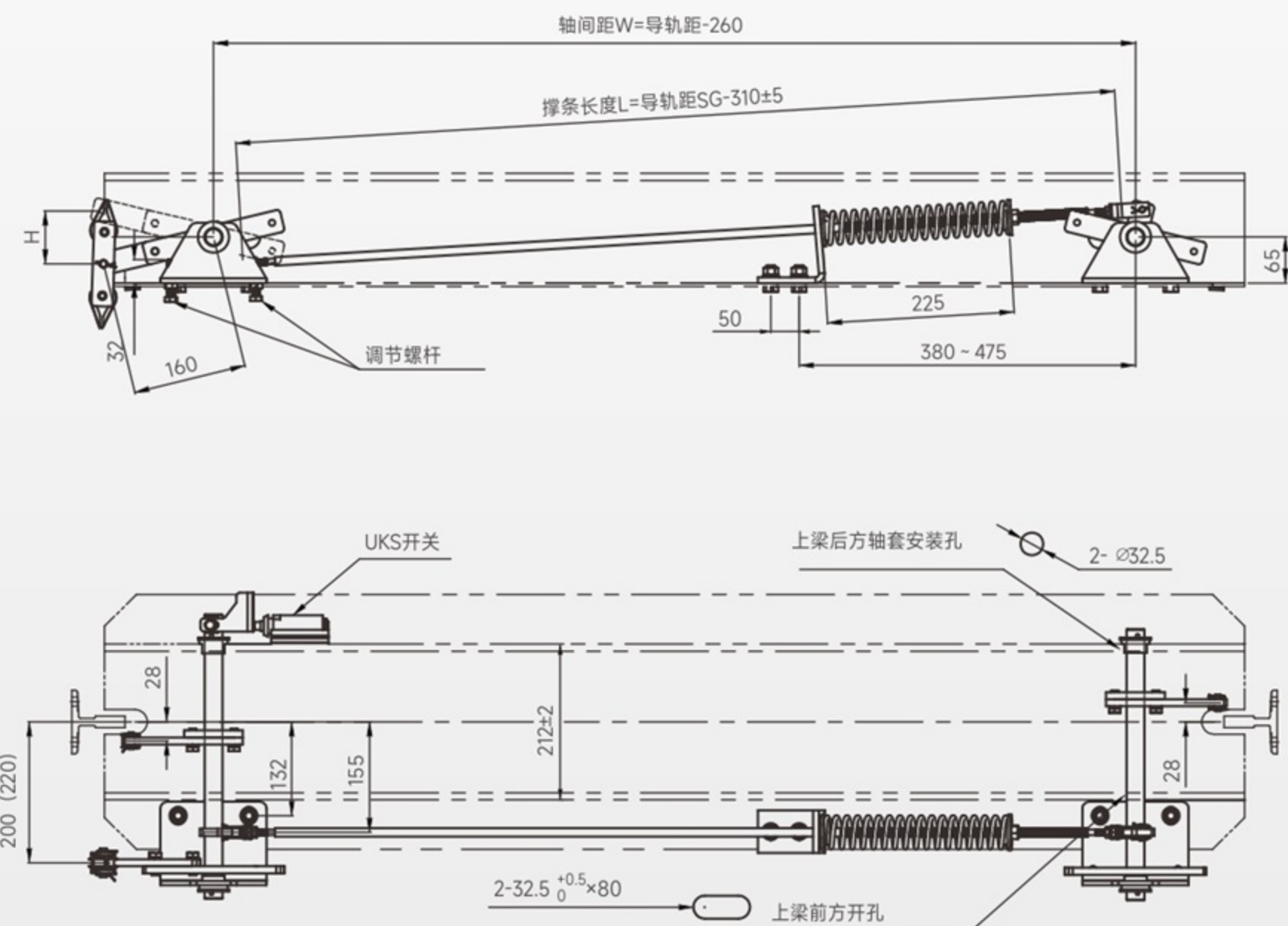
型号 Type	认证类别 Certification	额定速度V(m/s) Rated speed	允许质量P+Q (kg) Permissible mass	导轨宽度K (mm) Width of guide rails
QS202	GB	≤0.63	≤24000	19

HHTL01

上梁上装式提拉机构
Upper Beam Mounted Lifting Mechanism



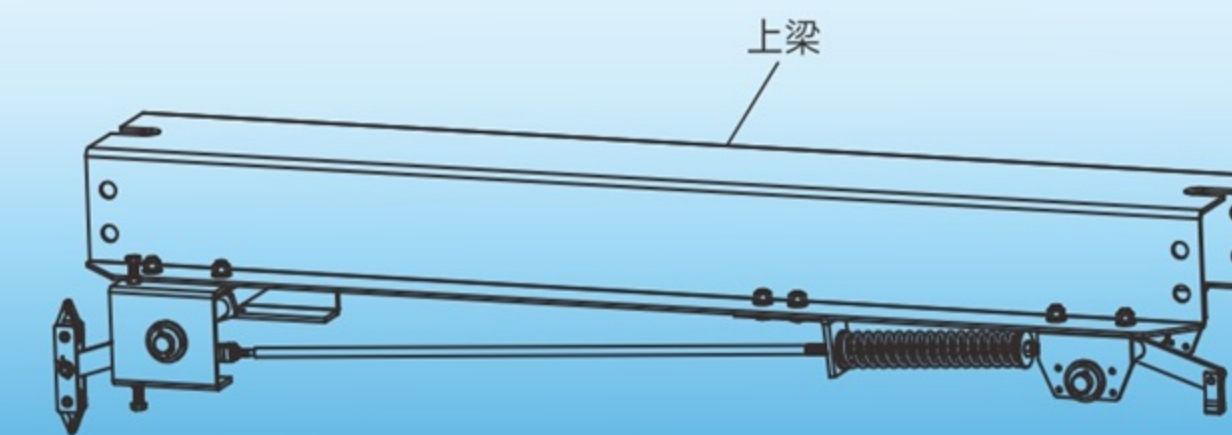
安装示意图 Installation diagram



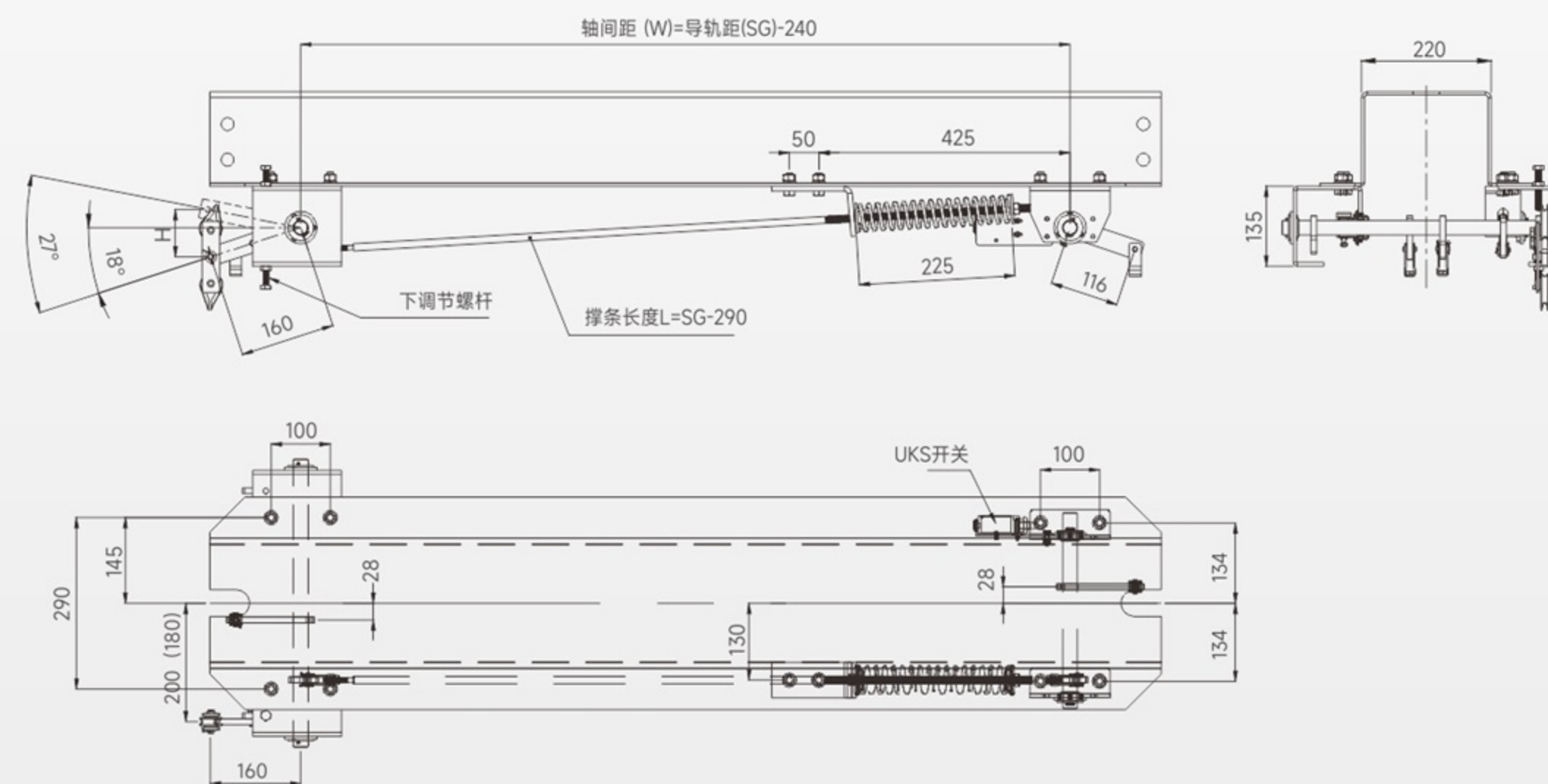
- 注: ① UKS安全回路开关, 不做标配, 如需要配下单注明购买。
② 安装时通过调整调节螺杆来控制提拉手摆动角度, 标准调左调节螺杆的顶端到轴座底面距离28mm; 调右调节螺杆的顶端到轴座底面距离为29.5mm。保证安全钳拉杆提升高度有72-78mm。
③ 调整提拉时, 撑条复位弹簧压缩后长度调225±5mm, 保证提拉力不小于300N (20层以上时, 提拉力不应小于钢丝绳自重)。此时限速器提供的提拉力必须大于650N。如果限速器提供提拉力小于650N时, 在不影响电梯运行的情况下可以适当调小弹簧力。
④ 轿厢梁不制作, 需方自制。

HHTL02

上梁下装式提拉机构
Upper Beam And Lower Mounted Pulling Mechanism



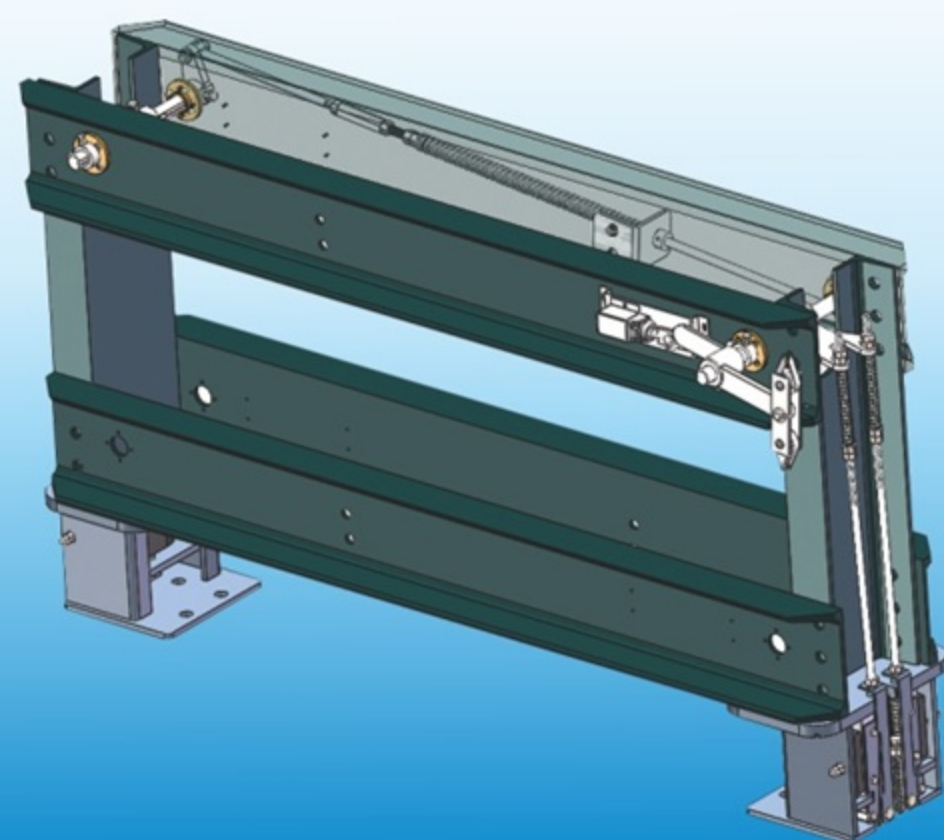
安装示意图 Installation diagram



- 注: ① UKS安全回路开关, 不做标配, 如需要配下单注明购买。
② 安装时通过调整调节螺杆来控制提拉手摆动角度, 标准调上调节螺杆的顶端到轴座底面距离37mm; 调下调节螺杆的顶端到轴座底面距离为34.5mm。保证安全钳拉杆提升高度有72-78mm。
③ 调整提拉时, 撑条复位弹簧压缩后长度调225±2mm, 保证提拉力大于300NN。
④ 轿厢梁不制作, 需方自制。

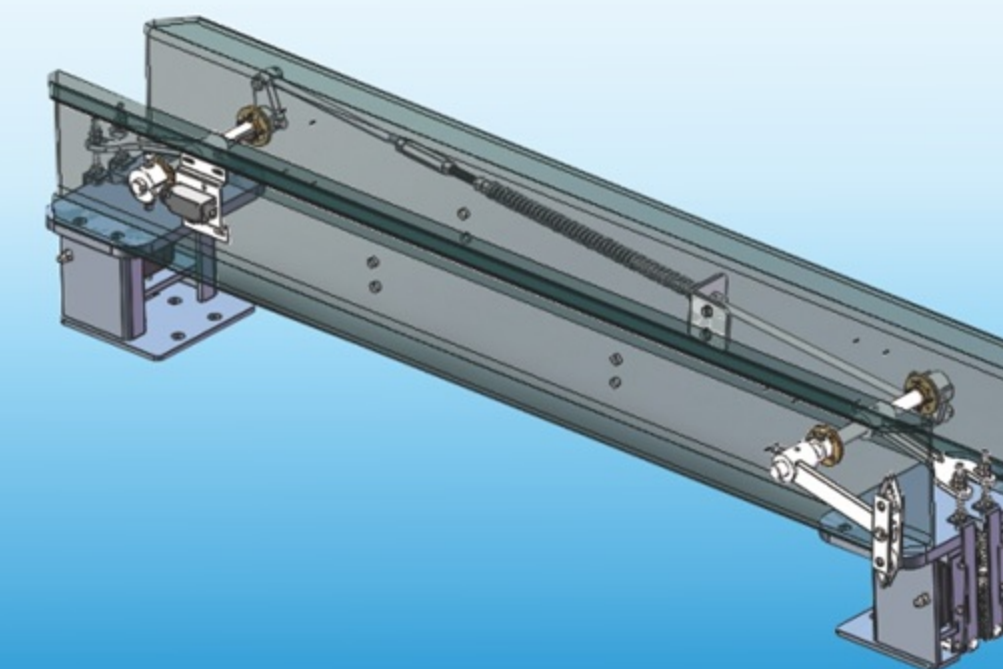
HHTL03

货梯提拉机构
Cargo Elevator
Pulling Mechanism



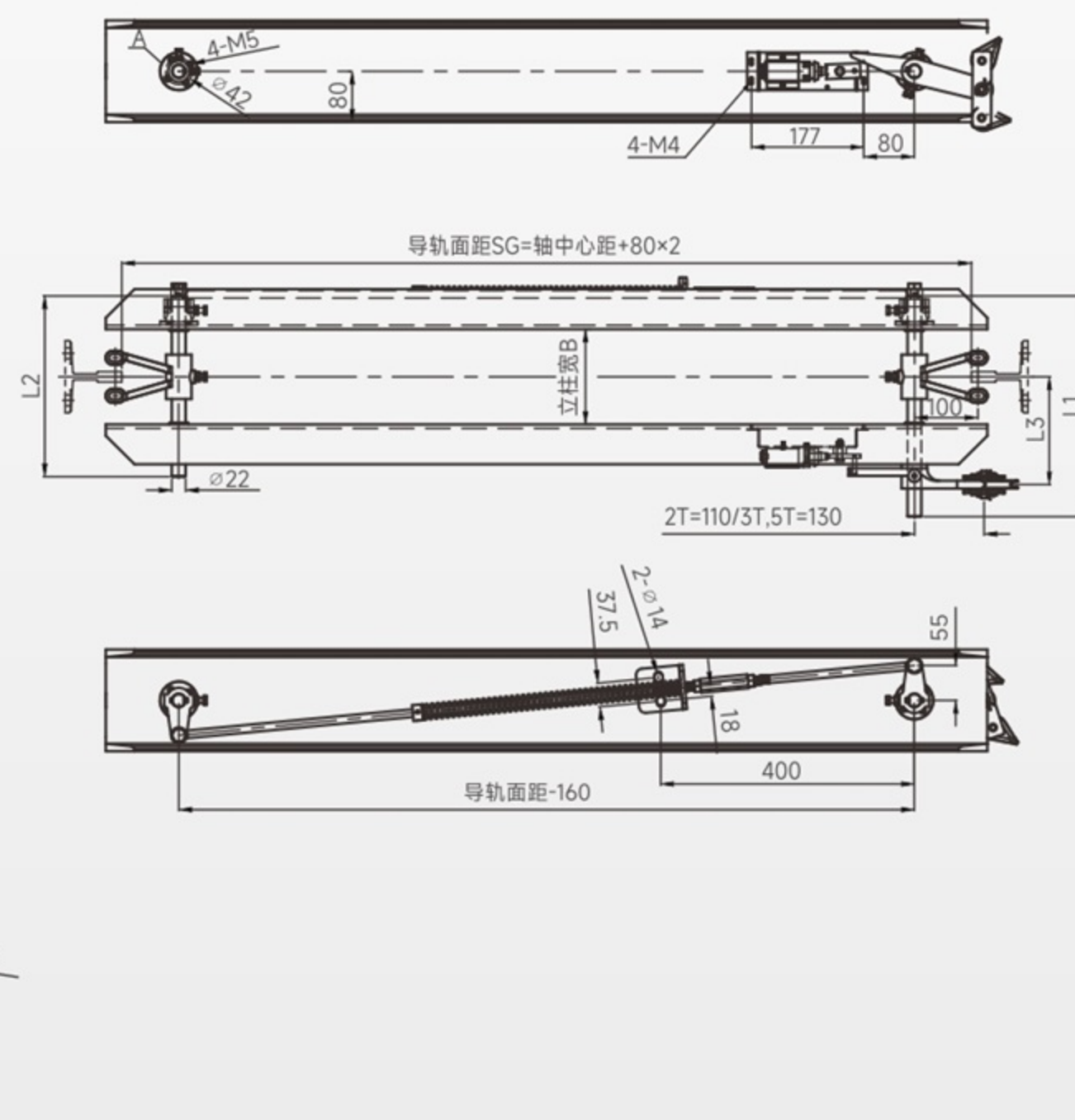
HHTL03B

货梯提拉机构
Cargo Elevator
Pulling Mechanism

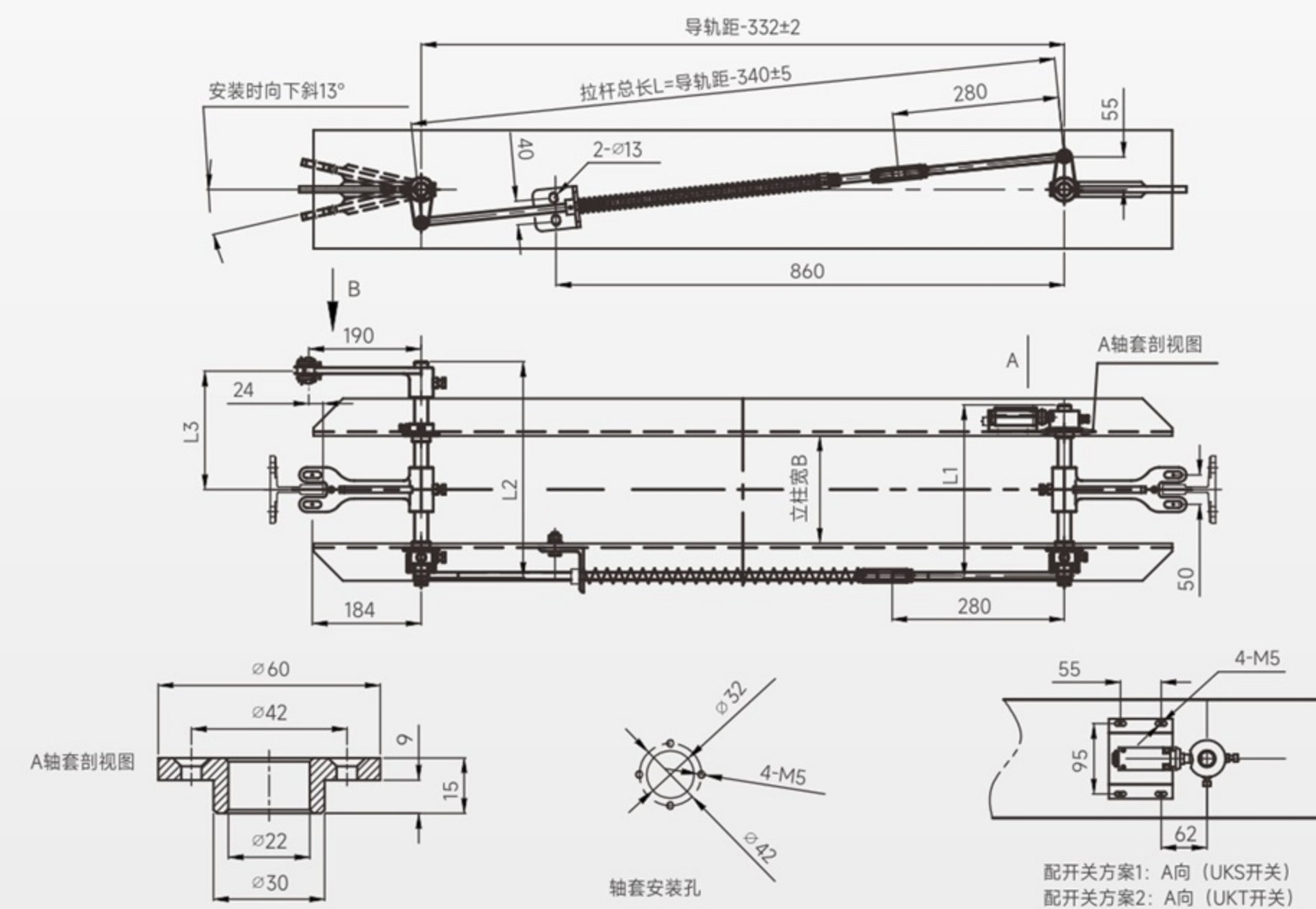


此机构可以装在上梁或下梁，安装下梁时不可配用瞬时式安全钳。

安装示意图 Installation diagram



安装示意图 Installation diagram



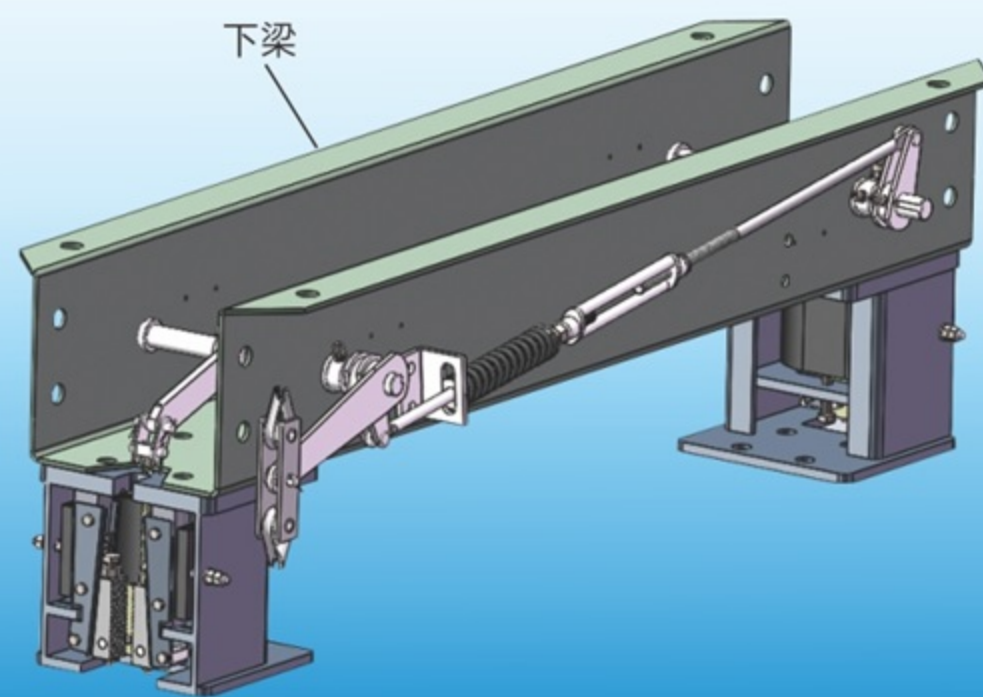
作业	短轴 (L2)	长轴 (L1)	L3	适配导轨
A	280	345	160-210	2T (立柱≤145)
B	310	370	175-220	3T (立柱≤180)
C	330	410	180-235	5T (立柱≤220)
D	382	440	200-250	5-10T (立柱≤250)

作业	短轴 (L1)	长轴 (L2)	L3	备注
Z01	280	345	135-210	2T(立柱宽B≤145)
Z02	310	382	160-230	3T(立柱宽B≤182)
Z03	330	410	180-235	5T(立柱宽B≤222)
Z04	382	440	200-250	10T(立柱宽B≤256)

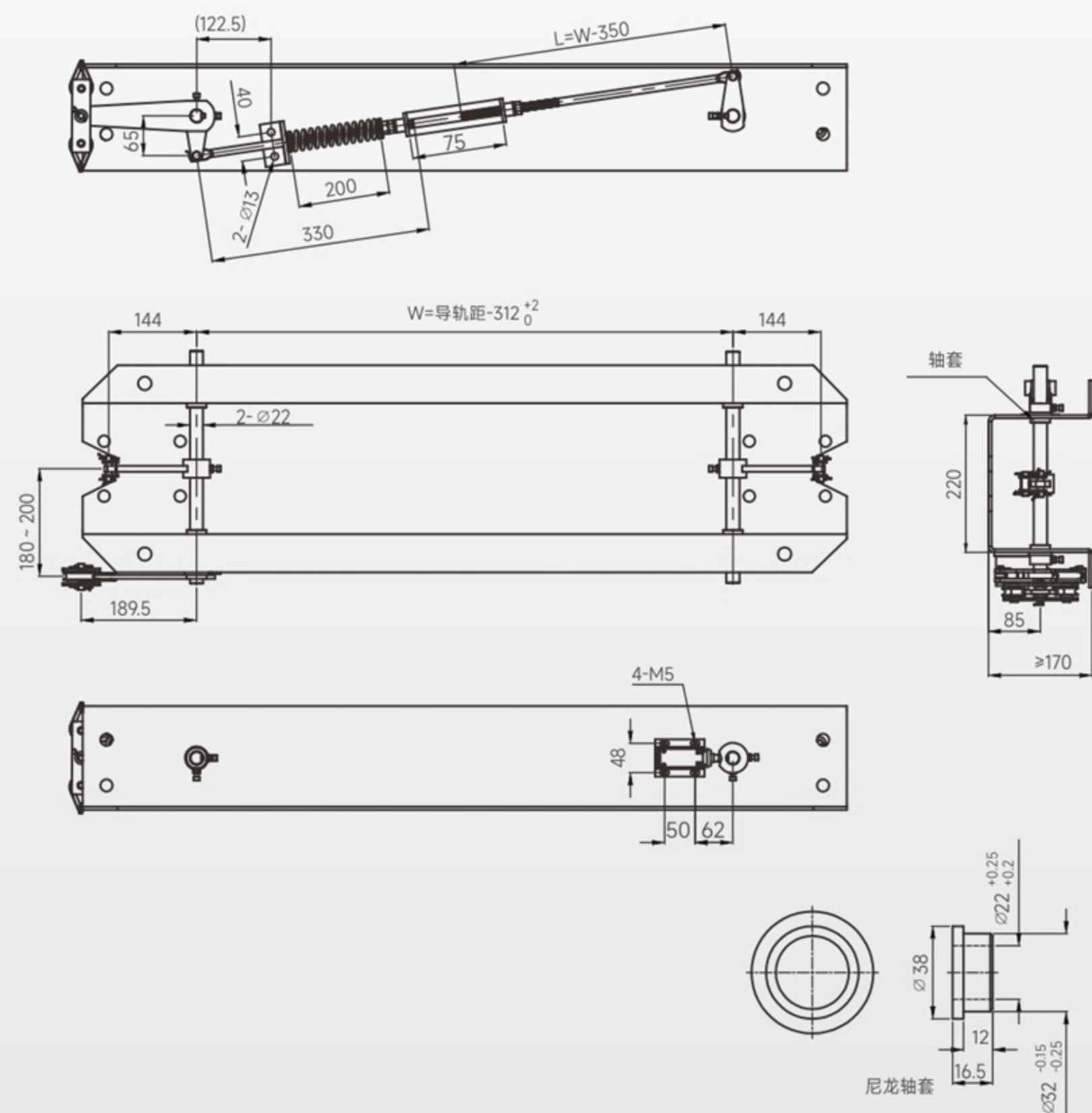
限速器绳到导轨最大距离L3计算: $L3 = \text{长轴} L1 - B / 2 - 63$ (公差±3)

HHTL04

下梁式提拉机构
Lower Beam
Pulling Mechanism



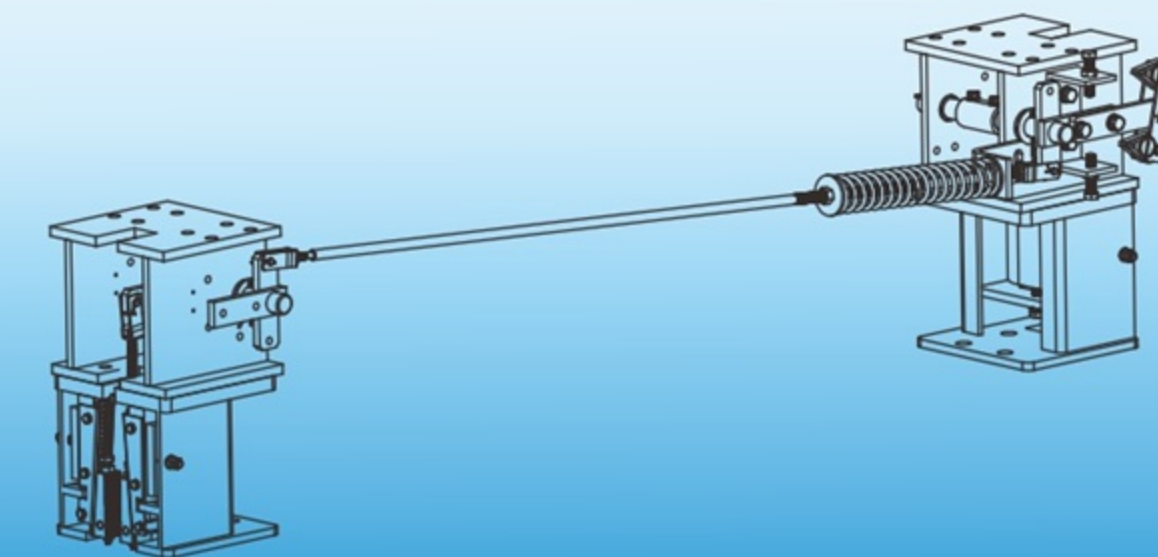
安装示意图 Installation diagram



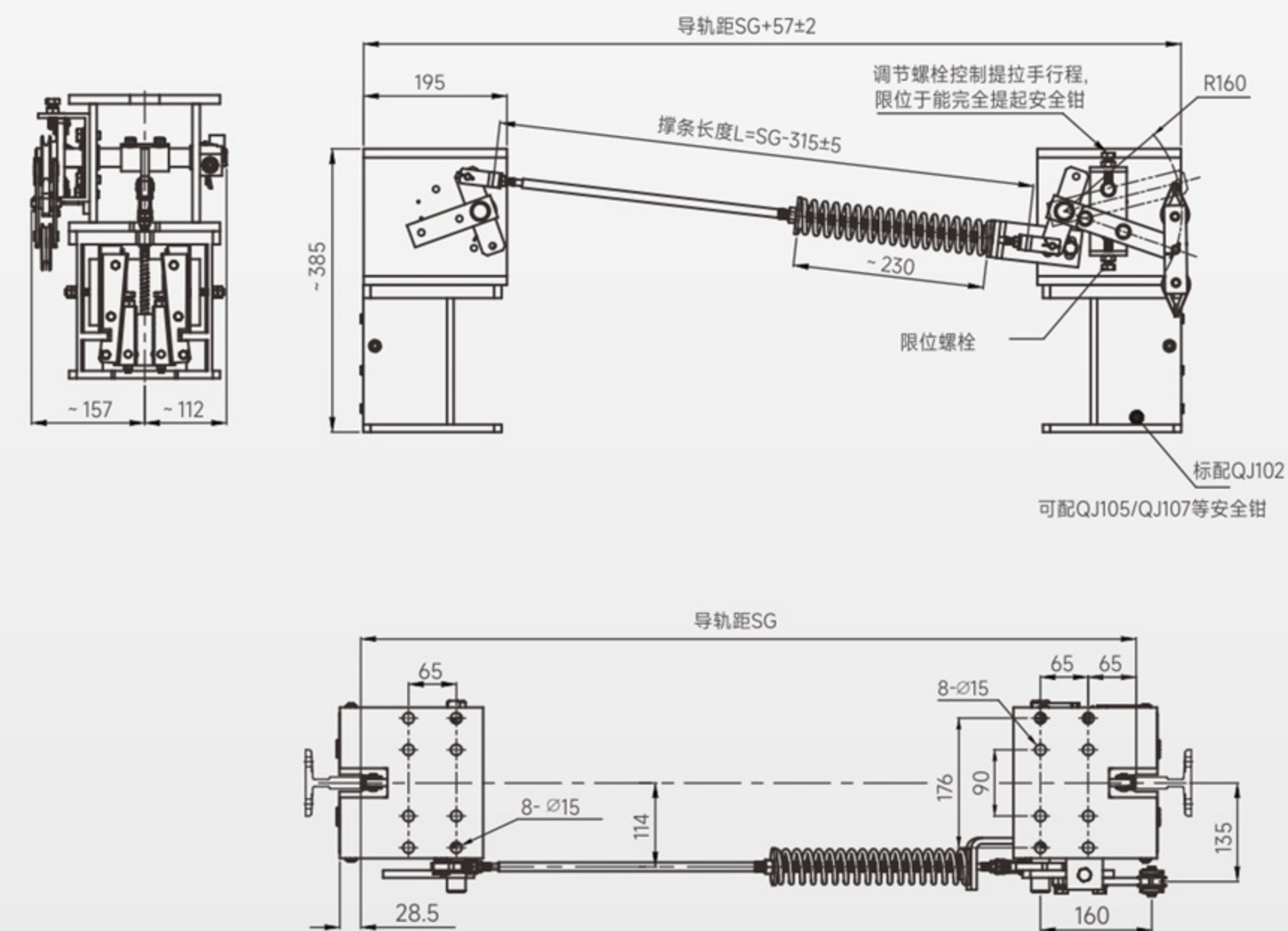
提拉机构

HHTL05

对重提拉机构
Counterweight
Lifting Mechanism



安装示意图 Installation diagram

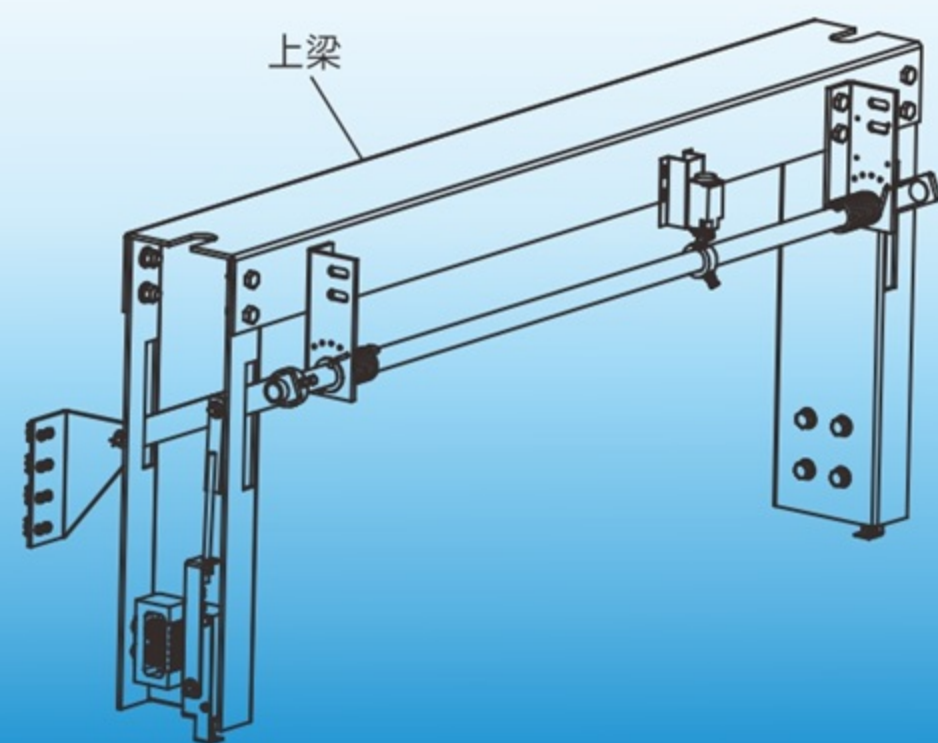


注1: 此提拉机构可安装轿厢下梁或对重架下方。
注2: 此款类型提拉机构可配我司QJ100, QJ102, QJ105, QJ107, QJ107B, QJ108, QJ109, QJ112, QJ113, FB107等, 其中QJ102, QJ105, QJ107为上图所注尺寸, 配其他型号安全钳时, 以我司最新提供图纸为准。

提拉机构

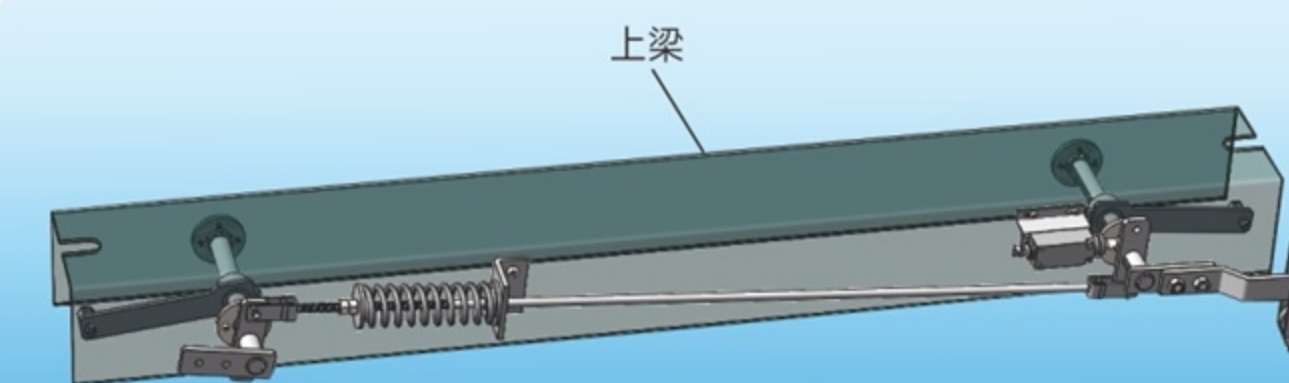
HHTL06

别墅梯安全提拉机构
Villa Ladder Safety Lifting
Mechanism

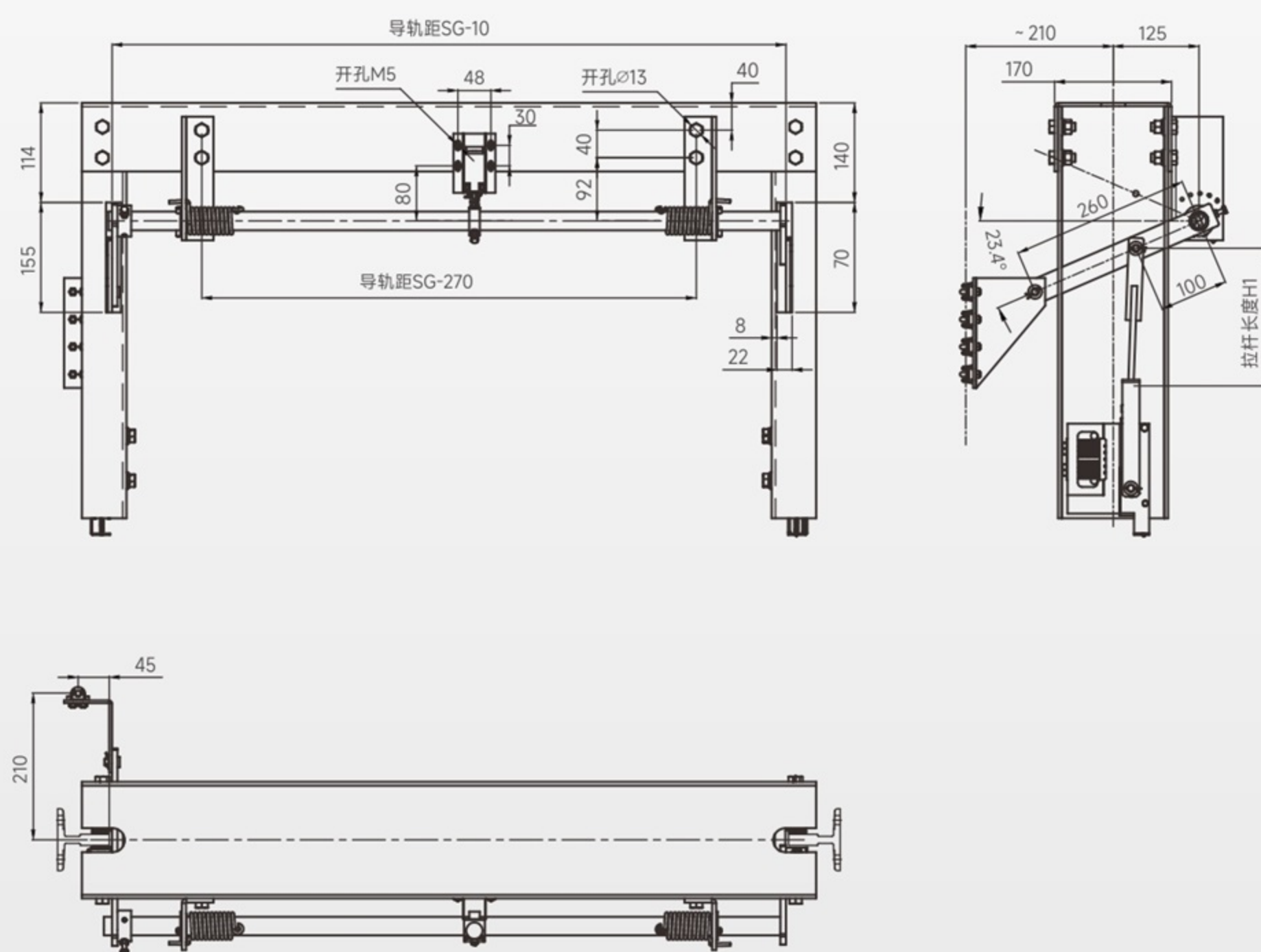


HHTL06E

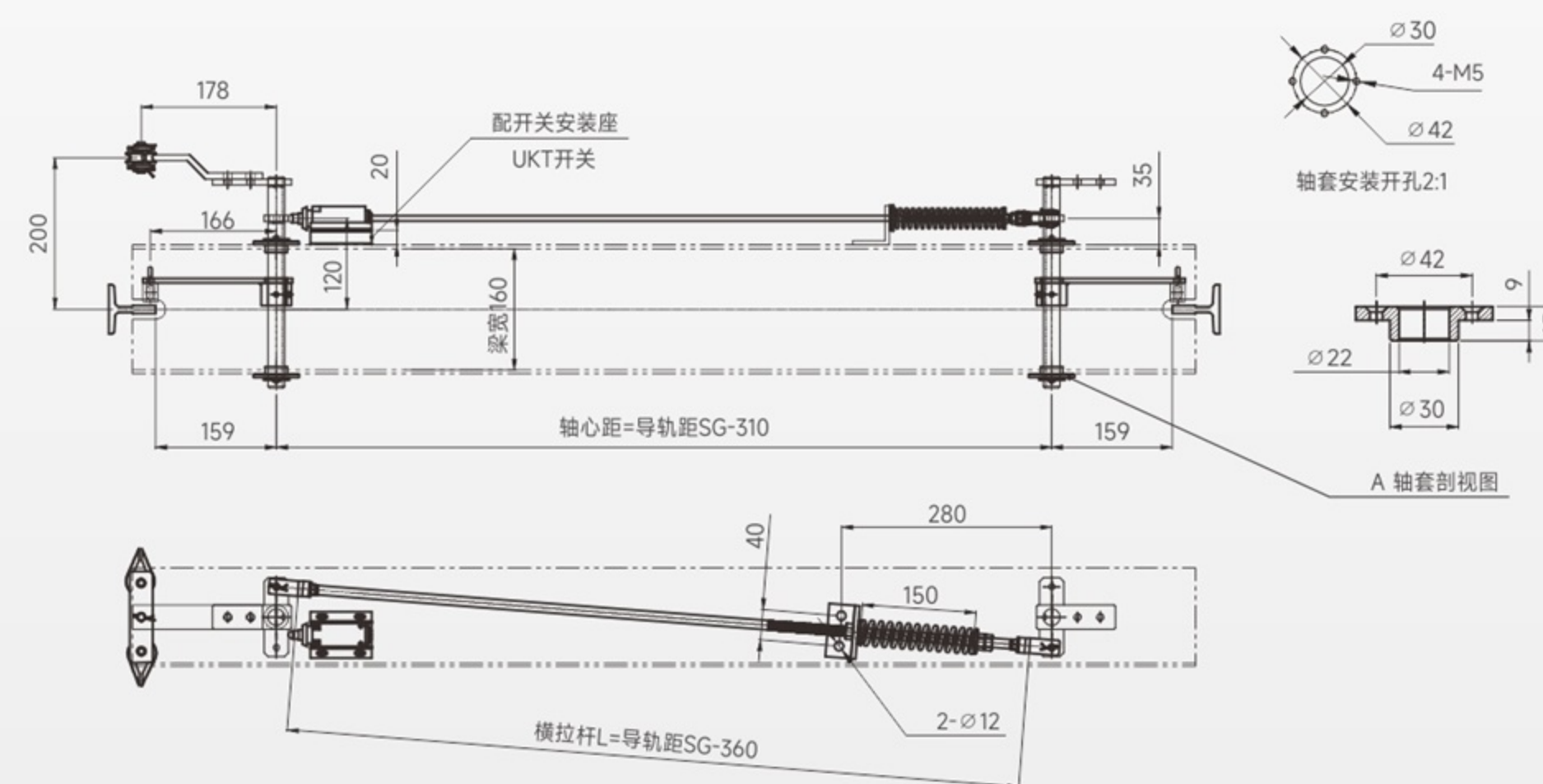
家用梯提拉机构
Household Elevator
Lifting Mechanism



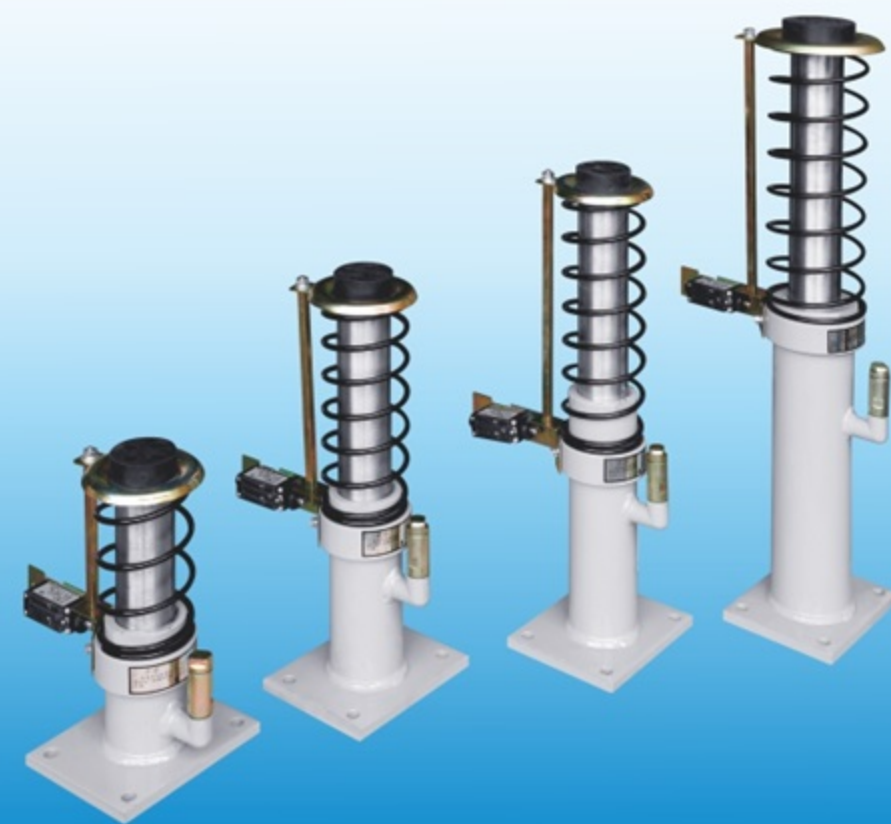
安装示意图 Installation diagram



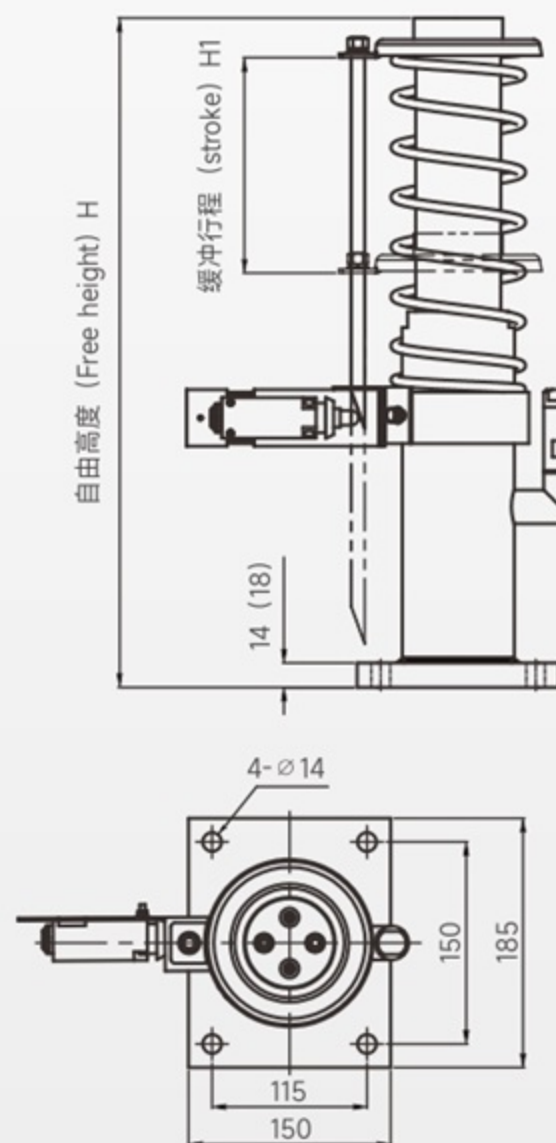
安装示意图 Installation diagram



耗能型缓冲器
Hydraulic Buffer



安装示意图 Installation diagram

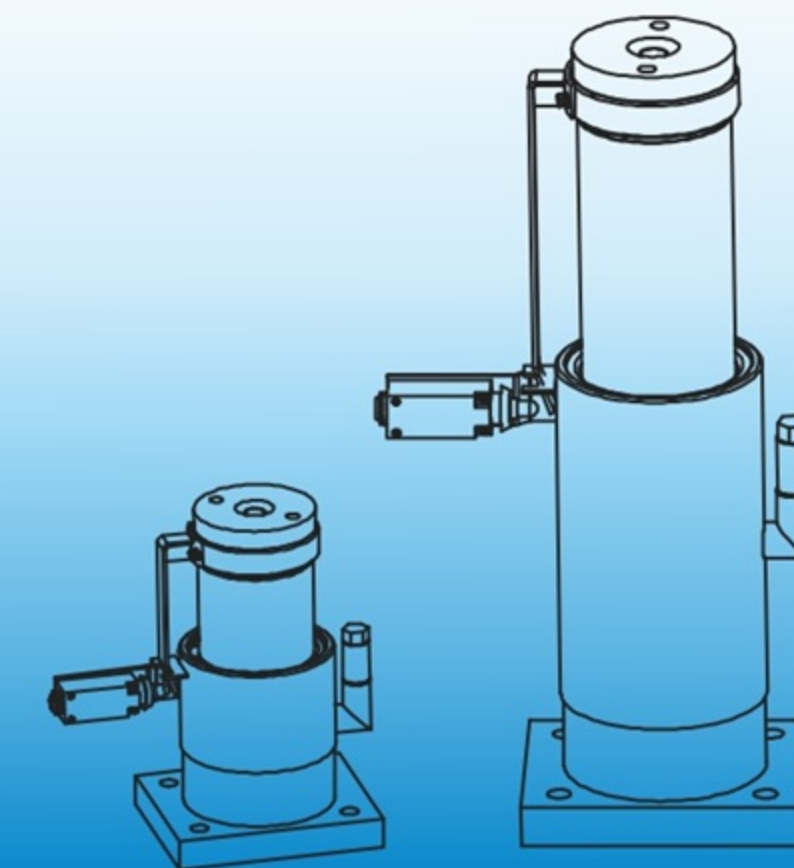


技术参数 Technical specification

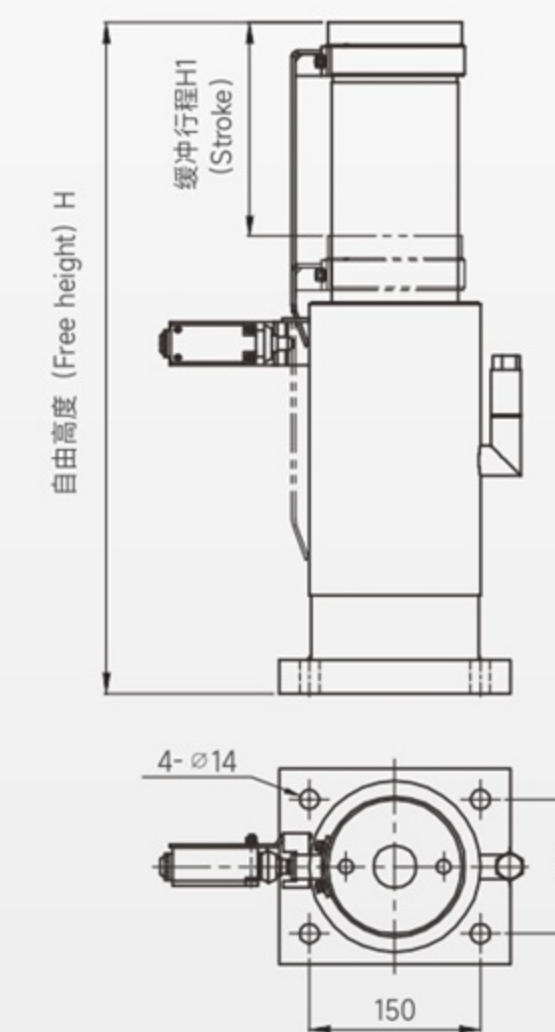
型号 Type	认证类别 Certification	额定速度V(m/s) Rated speed	允许质量P+Q (kg) Permissible mass	缓冲行程H1 Stroke(mm)	自由高度H(mm) Free height
HYF80	GB	≤1.0	500-3000	80	336
HYF160	GB	≤1.5	500-3000	160	493
HYF210	GB、CE	≤1.75	600-3000	210	604
HYF275	GB	≤2.0	500-3000	275	788
HYF425	GB	≤2.5	900-3500	425	1128

专利号: CN201721833602.0

耗能型缓冲器
Hydraulic Buffer



安装示意图 Installation diagram



技术参数 Technical specification

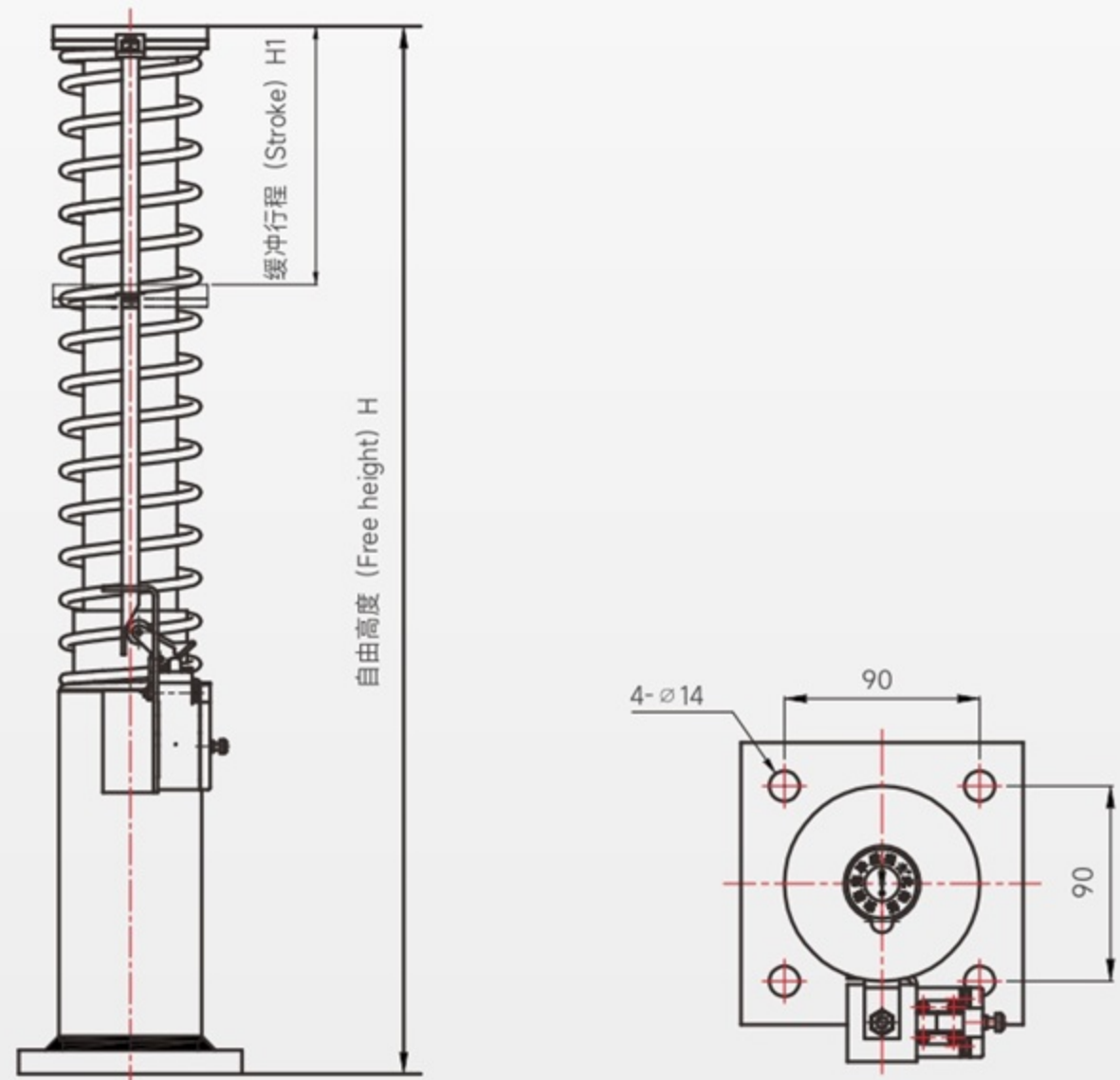
型号 Type	认证类别 Certification	额定速度V(m/s) Rated speed	允许质量P+Q (kg) Permissible mass	缓冲行程H1 Stroke(mm)	自由高度H(mm) Free height
HYF70	GB	≤1.0	900-4300	70	312
HYF175	GB	≤1.6	900-4500	175	550
HYF70B	GB	≤1.0	2500-6000	70	300
HYF640	GB	≤3.0	1300-3500	640	1691
HYF1080	GB	≤4.0	1250-4550	1080	2908

注: HYF640、HYF1080缓冲器安装参数以图纸为准

耗能型缓冲器
Hydraulic Buffer



安装示意图 Installation diagram



技术参数 Technical specification

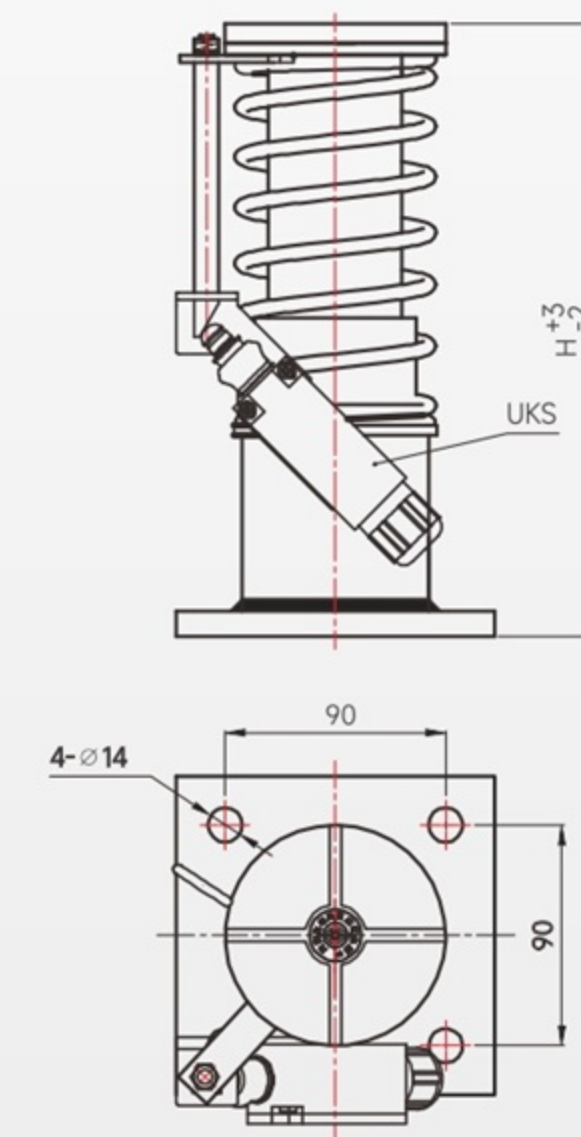
型号 Type	认证类别 Certification	额定速度V(m/s) Rated speed	允许质量P+Q (kg) Permissible mass	缓冲行程H1 Stroke(mm)	自由高度H(mm) Free height
HYF80B	GB	≤1.0	800-3000	80	280
HYF175B	GB	≤1.6	800-3000	175	526
HYF210B	GB	≤1.75	800-3000	210	607

HYF65/HYF65B

耗能型缓冲器
Hydraulic Buffer



安装示意图 Installation diagram



技术参数 Technical specification

型号 Type	认证类别 Certification	额定速度V(m/s) Rated speed	允许质量P+Q (kg) Permissible mass	缓冲行程H1 Stroke(mm)	自由高度H(mm) Free height
HYF65	GB	≤1.0	950-5600	70	250
HYF65B	GB	≤1.0	900-3500	70	235

专利号: CN202123168927.0

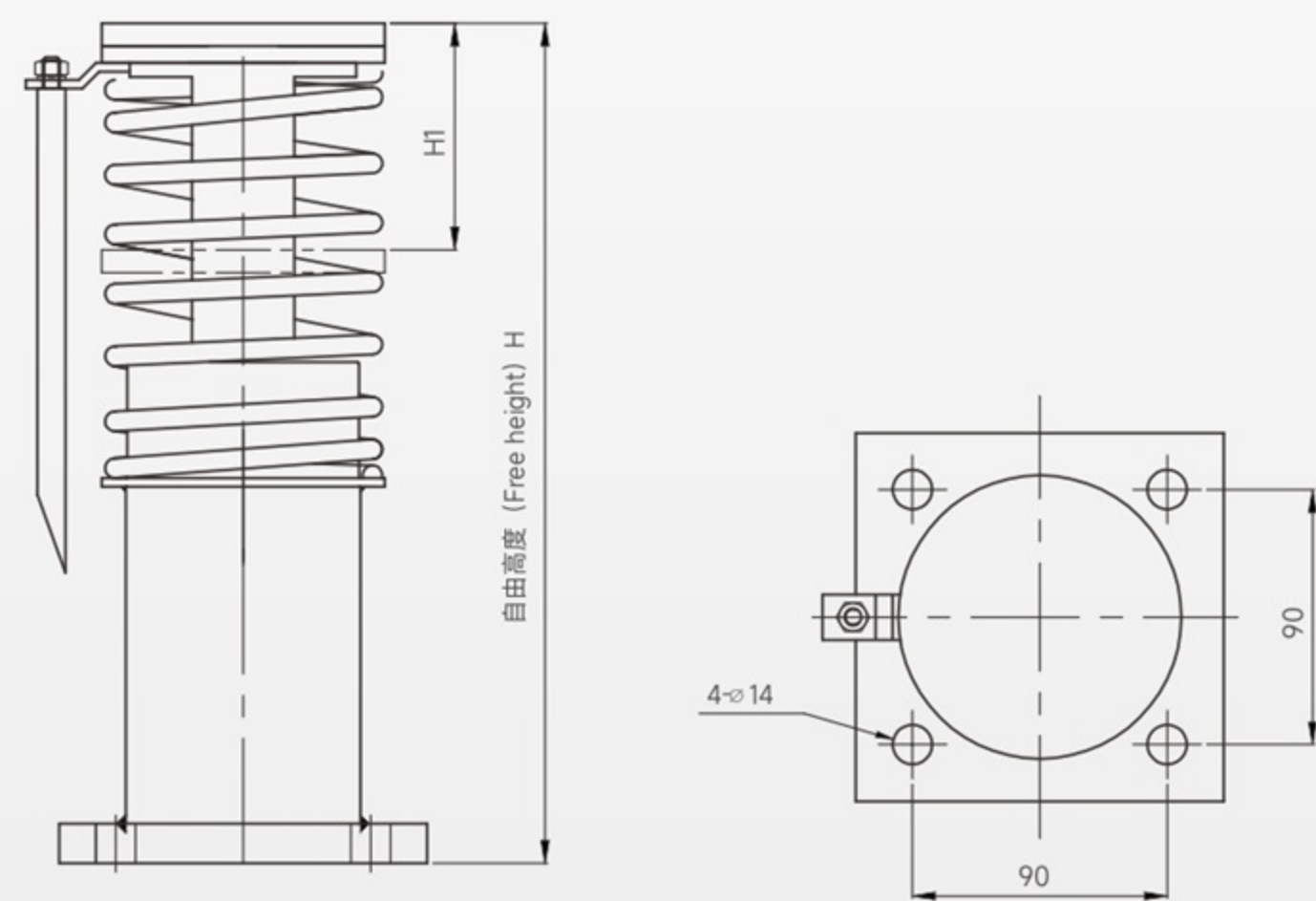
耗能型缓冲器
Hydraulic Buffer



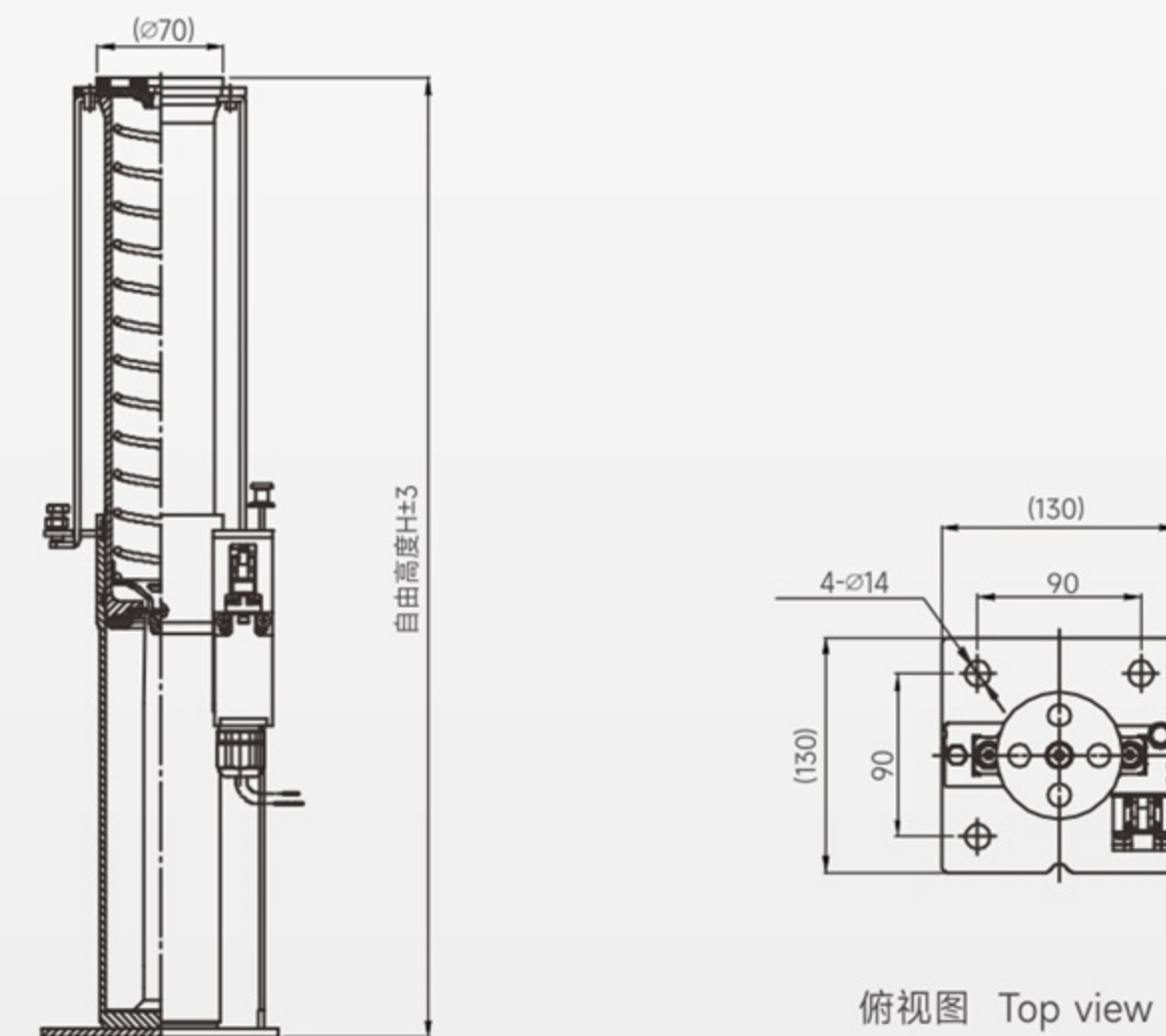
液压缓冲器
Hydraulic Buffer



安装示意图 Installation diagram



安装示意图 Installation diagram



俯视图 Top view

技术参数 Technical specification

型号 Type	认证类别 Certification	额定速度V(m/s) Rated speed	允许质量P+Q (kg) Permissible mass	缓冲行程H1 Stroke(mm)	自由高度H(mm) Free height
HYF80C	GB	≤1.0	600-4200	80	300
HYF160C	GB	≤1.5	900-4200	160	484
HYF210C	GB	≤1.75	900-4200	210	610

技术参数 Technical specification

型号 Type	认证类别 Certification	额定速度V(m/s) Rated speed	允许质量P+Q (kg) Permissible mass	缓冲行程H1 Stroke(mm)	自由高度H(mm) Free height
HYF25D	GB	≤0.63	200-1800	30 ⁺³ ₊₀	123
HYF50D	GB	≤0.63	2000-5000	30 ⁺³ ₊₀	123
HYF80D	GB	≤1.0	600-3500	70 ⁺³ ₊₀	205
HYF175D	GB	≤1.6	600-3500	175 ⁺³ ₊₀	470
HYF210D	GB	≤1.75	600-3500	210 ⁺³ ₊₀	530

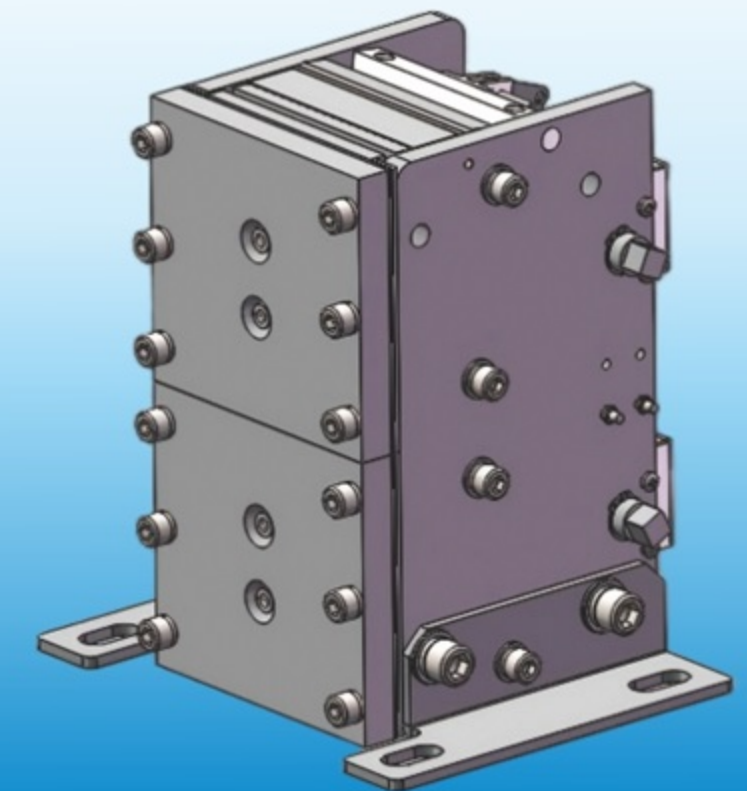
HH307

轿厢意外移动保护装置
Accidental Moving
Protection Device For Car

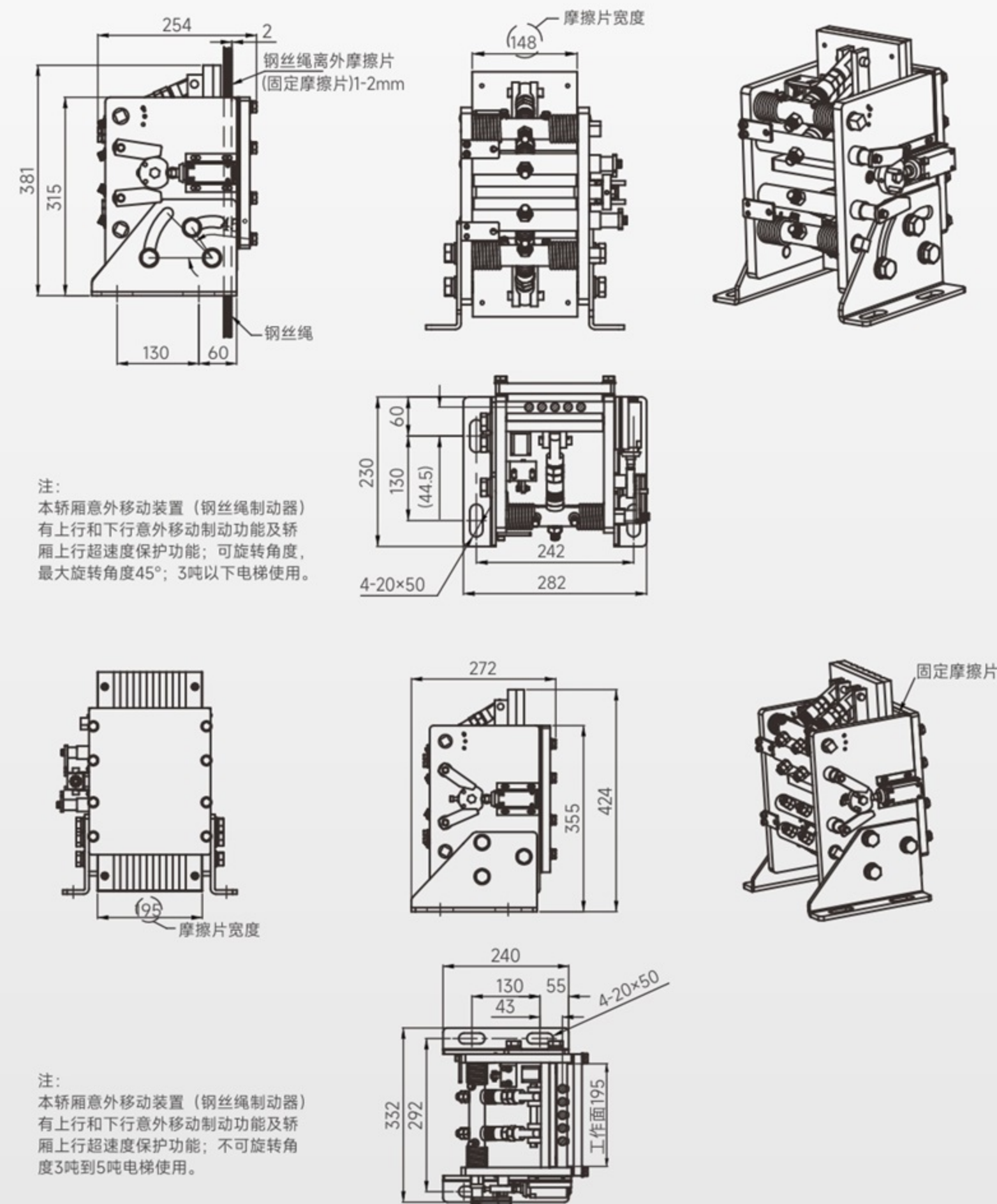


SJJJ-UCMP-SJ

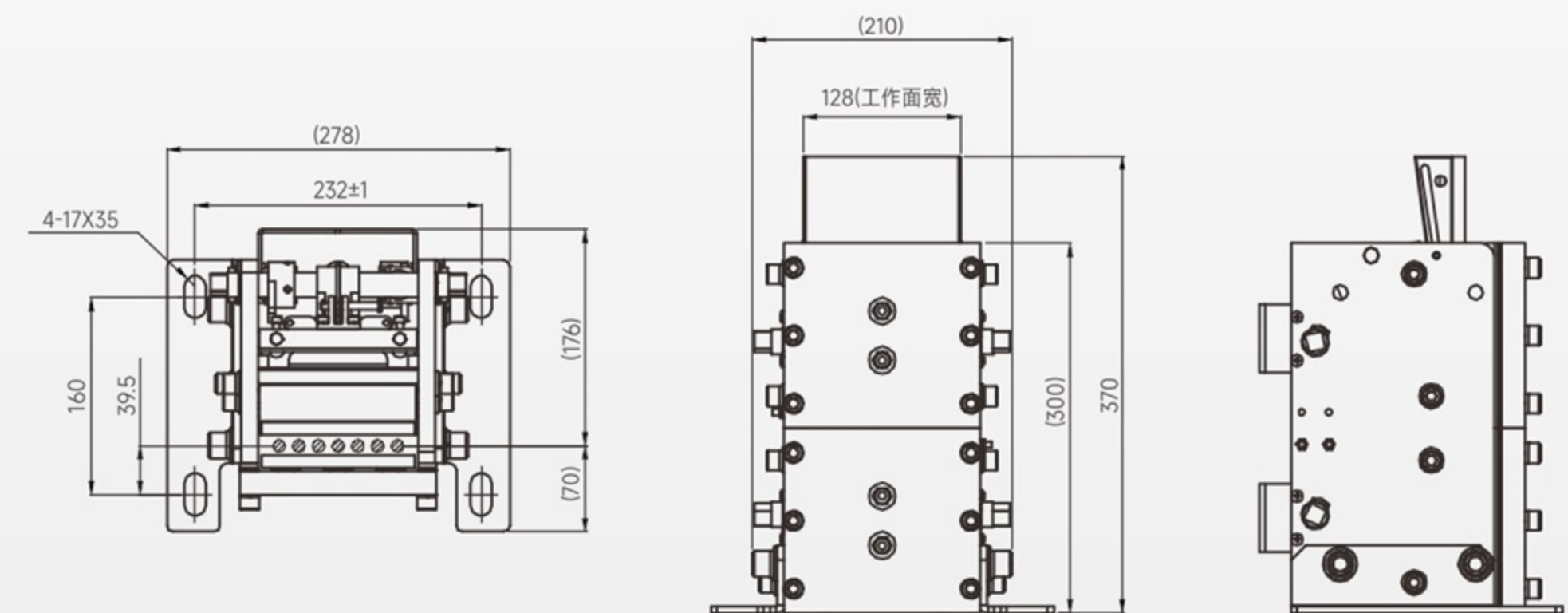
轿厢意外移动保护装置 UCMP
Accidental Moving Protection
Device For Car
轿厢上行超速保护装置 ACOP
Upward Overspeed Protection
Device For The Elevator Car



安装示意图 Installation diagram



安装示意图 Installation diagram



技术参数 Technical specification

悬挂比 Suspension Ratio	1:1	2:1	4:1
额定速度V(m/s) Rated speed	1.0 ~ 4.0	0.5 ~ 2.0	0.25 ~ 1.0
额定载重范围(kg) Rated load	400-1500	800-3000	1600-6000
允许系统质量(kg) System mass range	1200-4550	2400-9100	4800-18200
UCMP动作速度(m/s) (UCMP) Tripping Speed	≤1.18	≤1.18	≤1.18
ACOP动作速度(m/s) (ACOP) Tripping Speed	≤5.062	≤2.625	≤1.5
配用检测子系统 Detection Subsystem	XSG607系列(UCMP款)		
复位方式 Resetting Method	手动复位 Manual Reset		

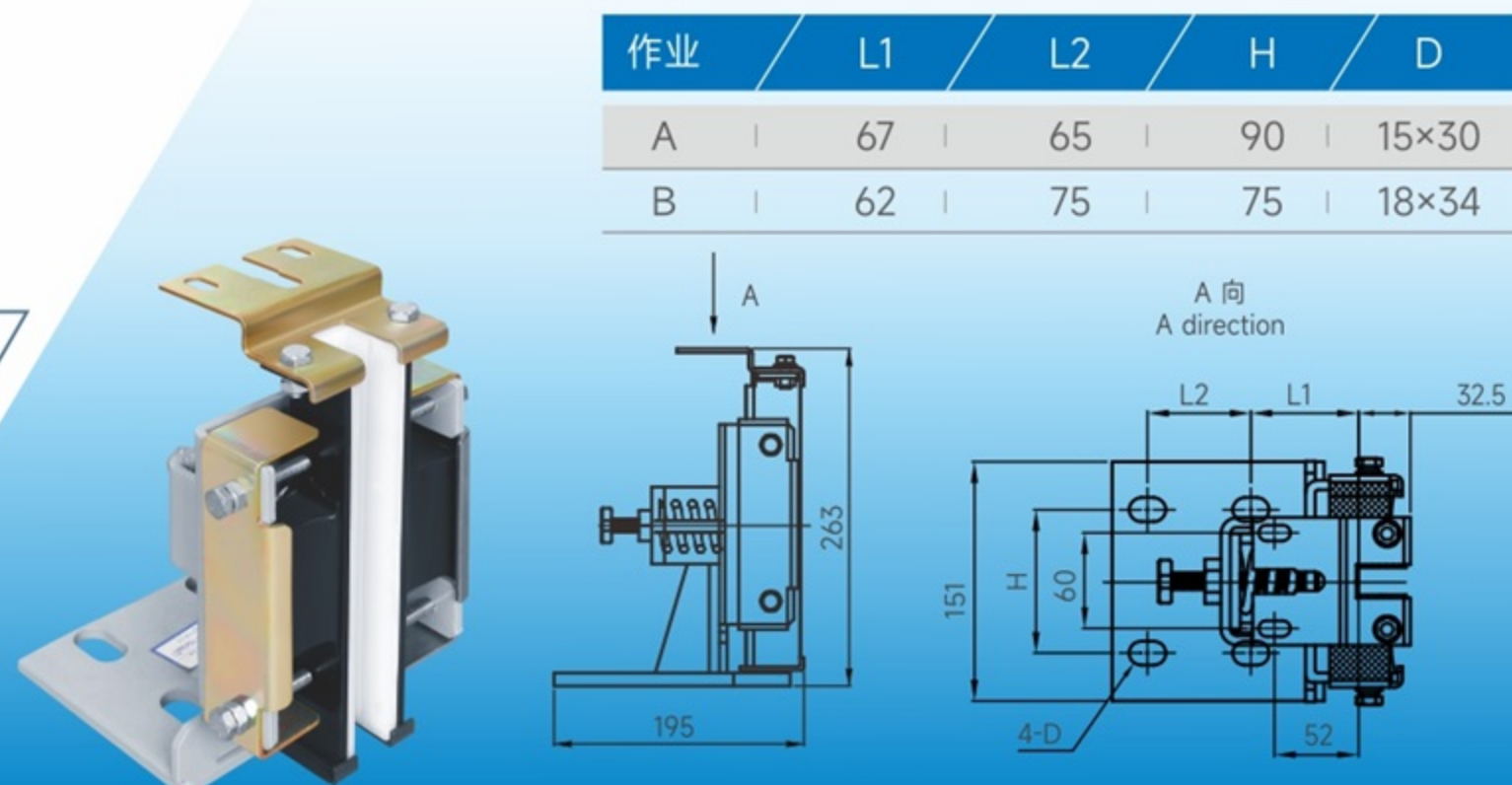
注1: 本产品作用部位为悬挂绳
注2: 本产品既可正装也可倒装

YP50

滑动导靴

技术参数

- 额定速度: $V \leq 2.5\text{m/s}$
- 导轨面正压力: $\leq 1600\text{N}$
- 导轨面侧压力: $\leq 1100\text{N}$
- 适用导轨宽度: 10、16mm

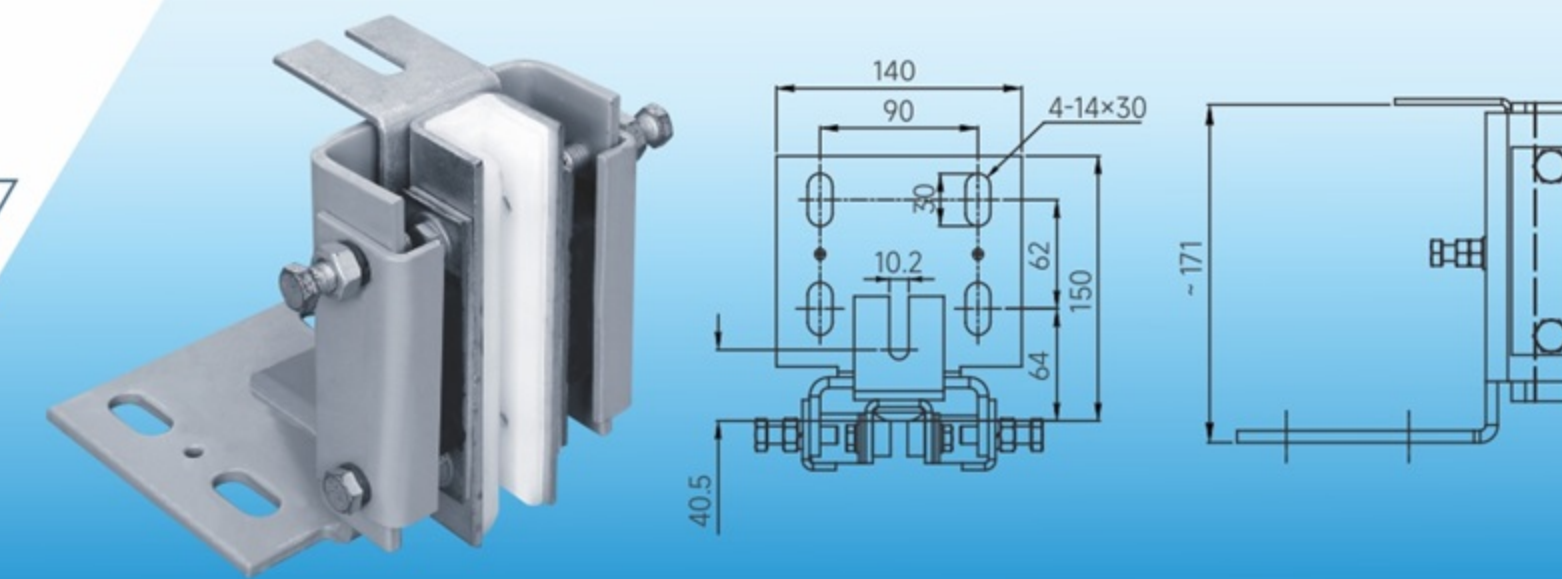


YP77

滑动导靴

技术参数

- 额定速度: $V \leq 1.75\text{m/s}$
- 导轨面正压力: $\leq 3000\text{N}$
- 导轨面侧压力: $\leq 700\text{N}$
- 适用导轨宽度: 10、16mm

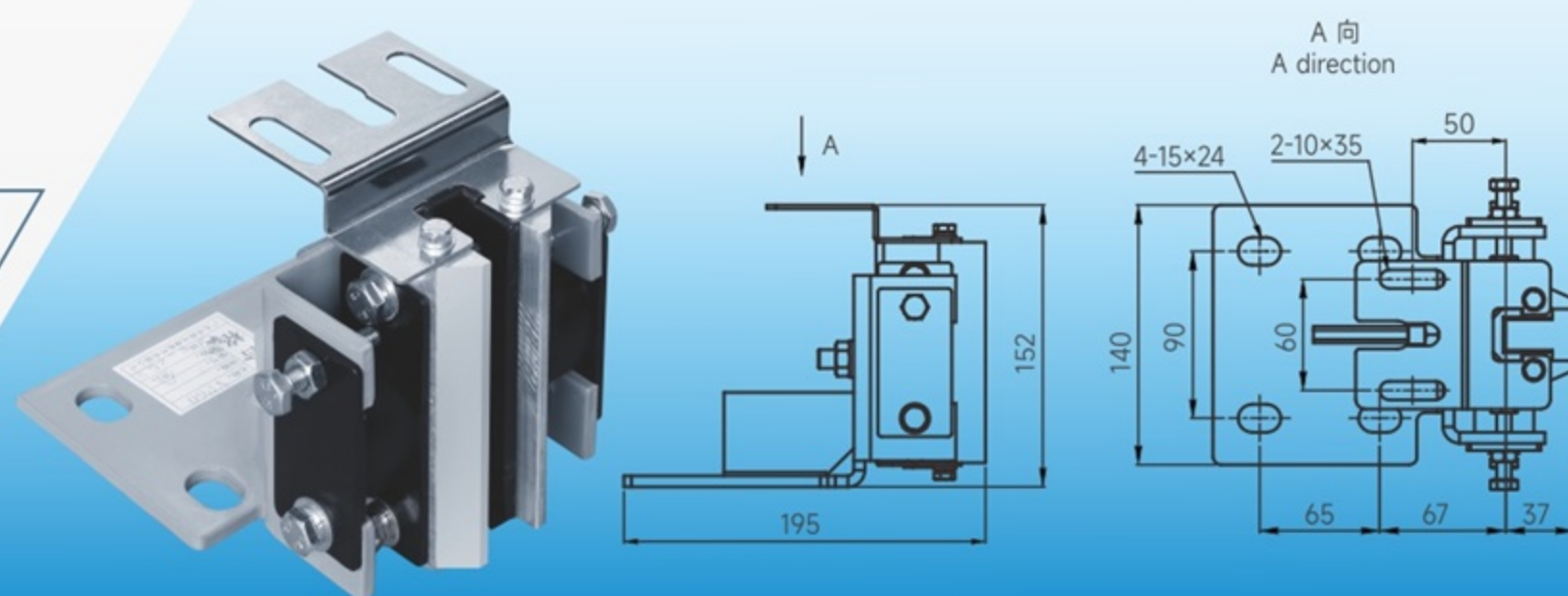


YP60

滑动导靴

技术参数

- 额定速度: $V \leq 2.5\text{m/s}$
- 导轨面正压力: $\leq 2500\text{N}$
- 导轨面侧压力: $\leq 1200\text{N}$
- 适用导轨宽度: 10、16mm

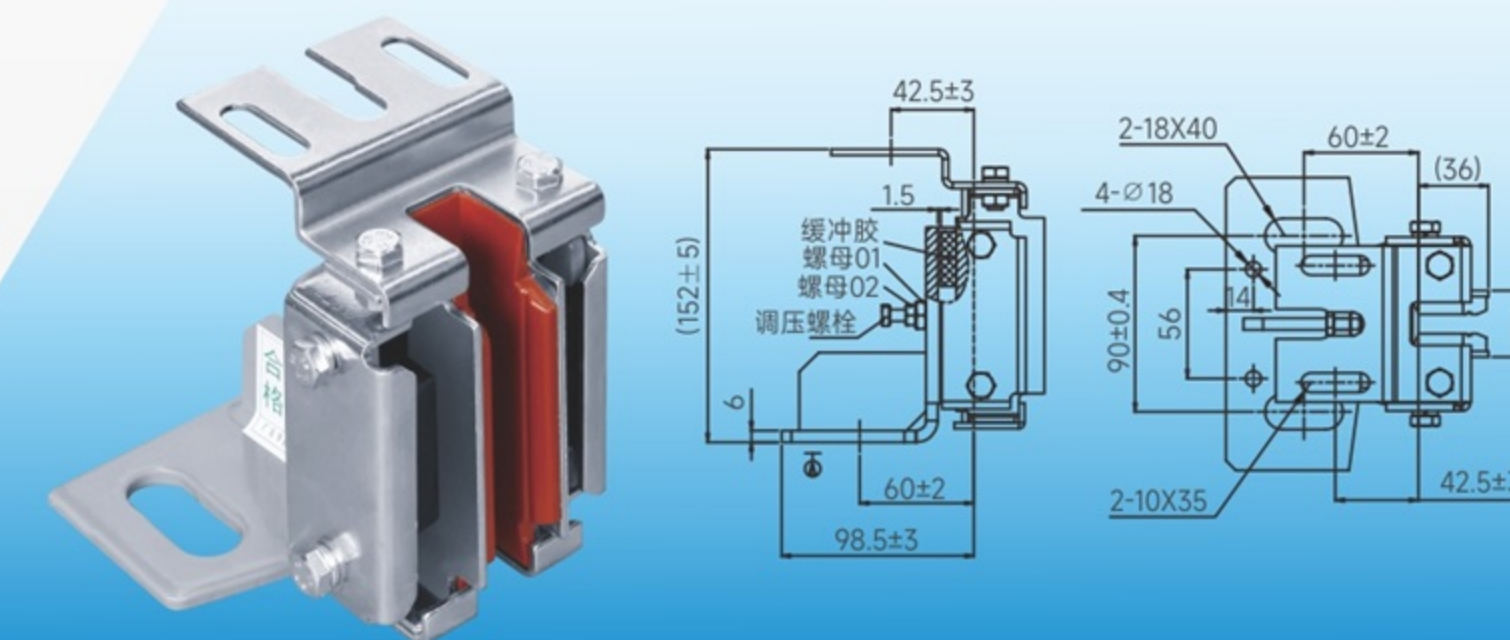


YP85

滑动导靴

技术参数

- 额定速度: $V \leq 2.0\text{m/s}$
- 导轨面正压力: $\leq 1600\text{N}$
- 导轨面侧压力: $\leq 750\text{N}$
- 适用导轨宽度: 10、16mm

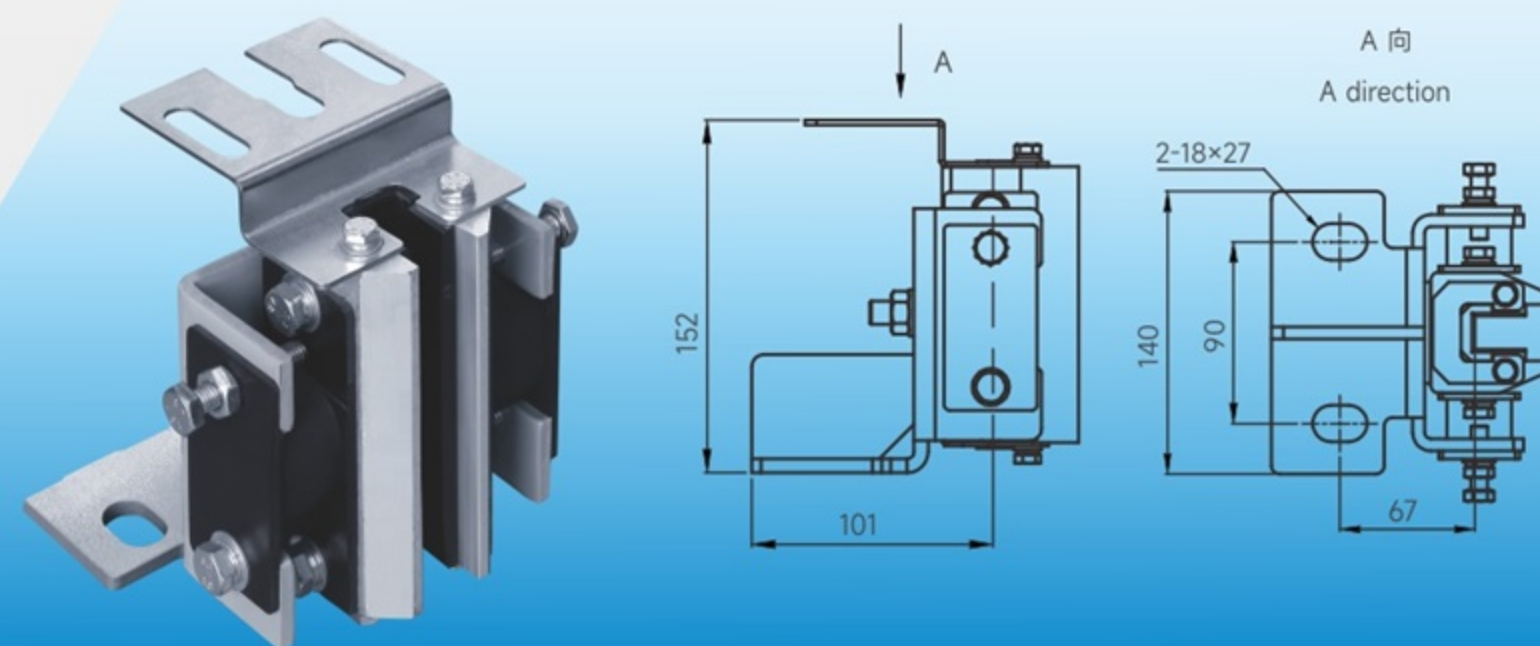


YP60B

滑动导靴

技术参数

- 额定速度: $V \leq 2.5\text{m/s}$
- 导轨面正压力: $\leq 2500\text{N}$
- 导轨面侧压力: $\leq 1200\text{N}$
- 适用导轨宽度: 10、16mm

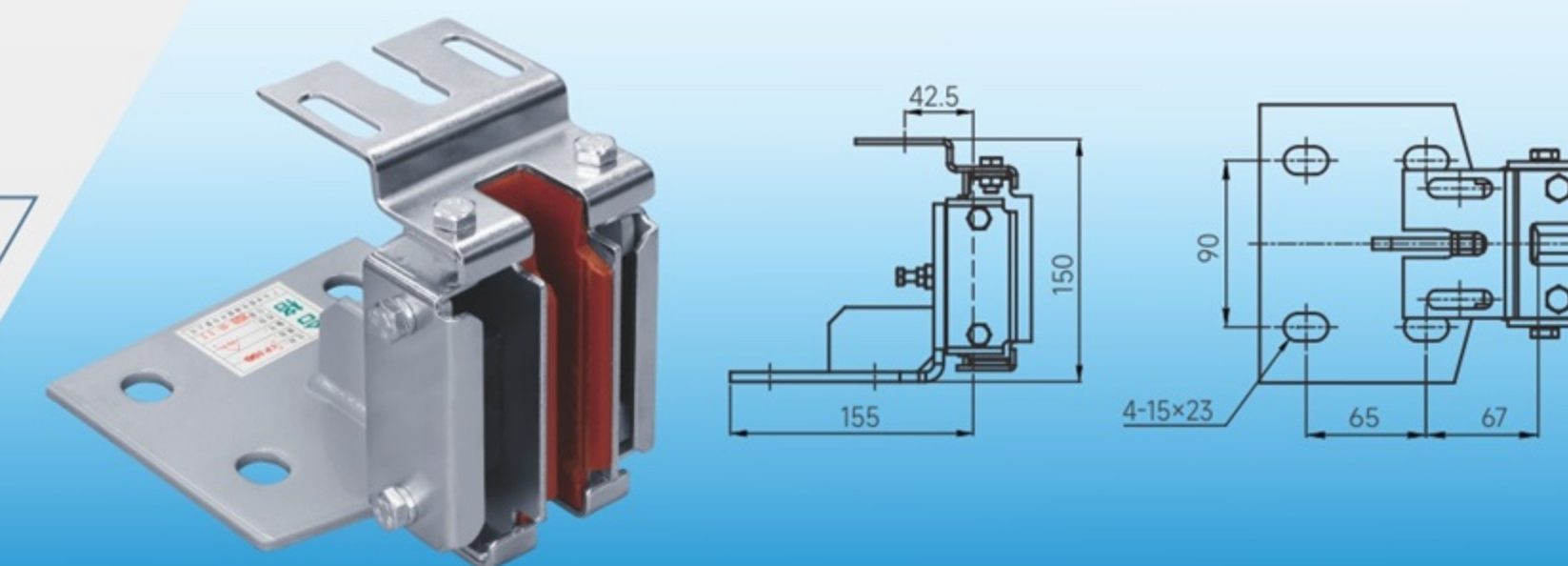


YP100

滑动导靴

技术参数

- 额定速度: $V \leq 2.0\text{m/s}$
- 导轨面正压力: $\leq 1600\text{N}$
- 导轨面侧压力: $\leq 750\text{N}$
- 适用导轨宽度: 10、16mm

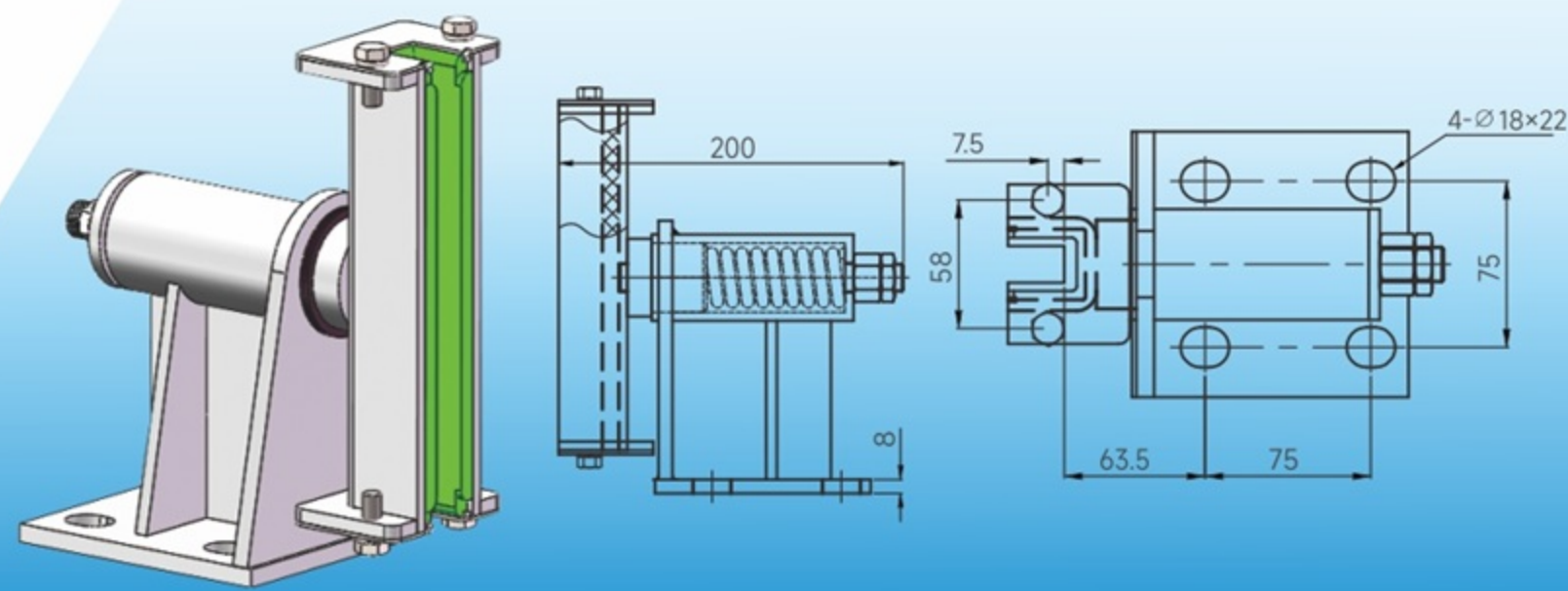


HH102A

滑动导靴

技术参数

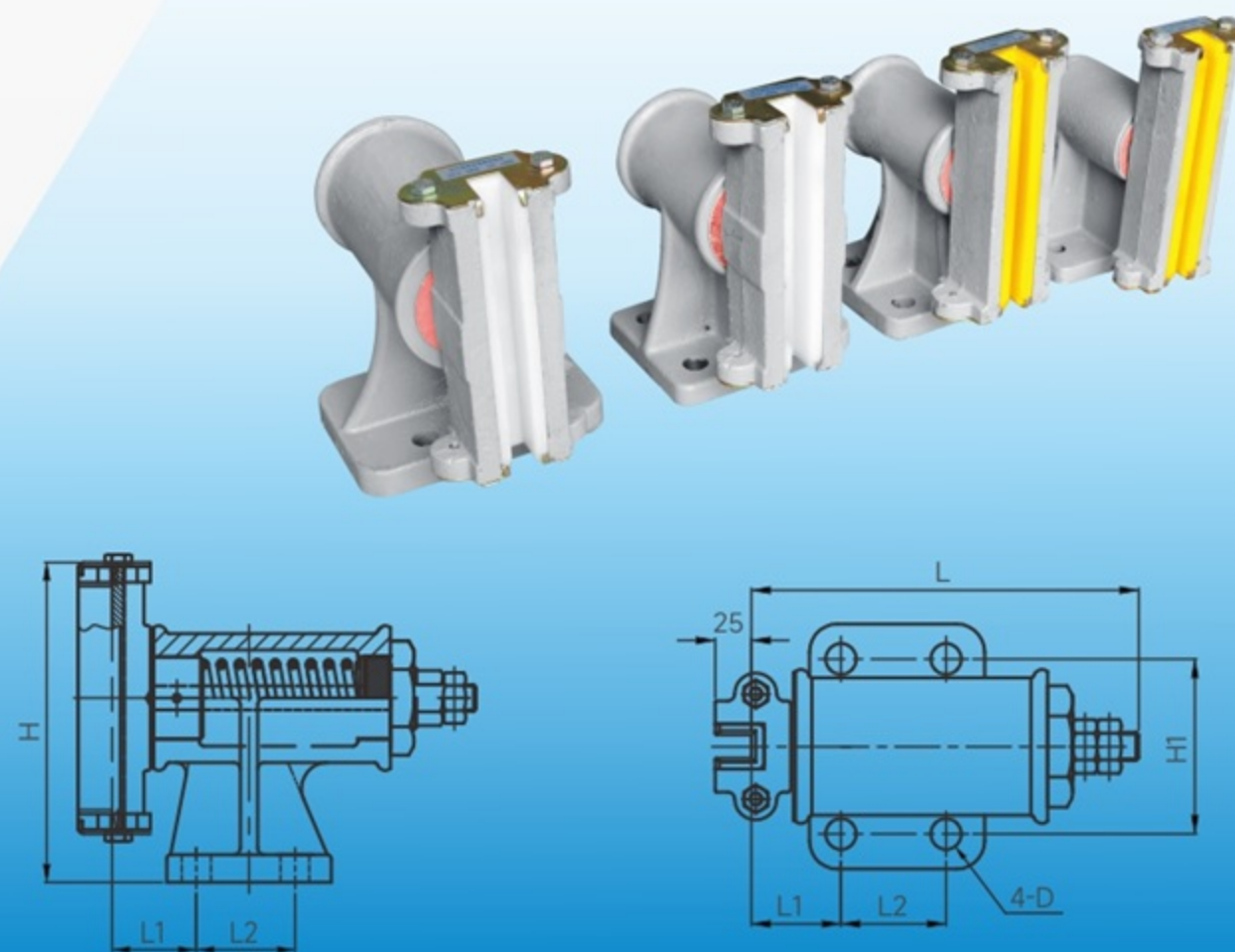
- 额定速度: $V \leq 1.0 \text{m/s}$
- 导轨面正压力: $\leq 2100 \text{N}$
- 导轨面侧压力: $\leq 2600 \text{N}$
- 适用导轨宽度: 10、16mm



HH101/102/ 103/104

滑动导靴

Sliding Guide Shoes



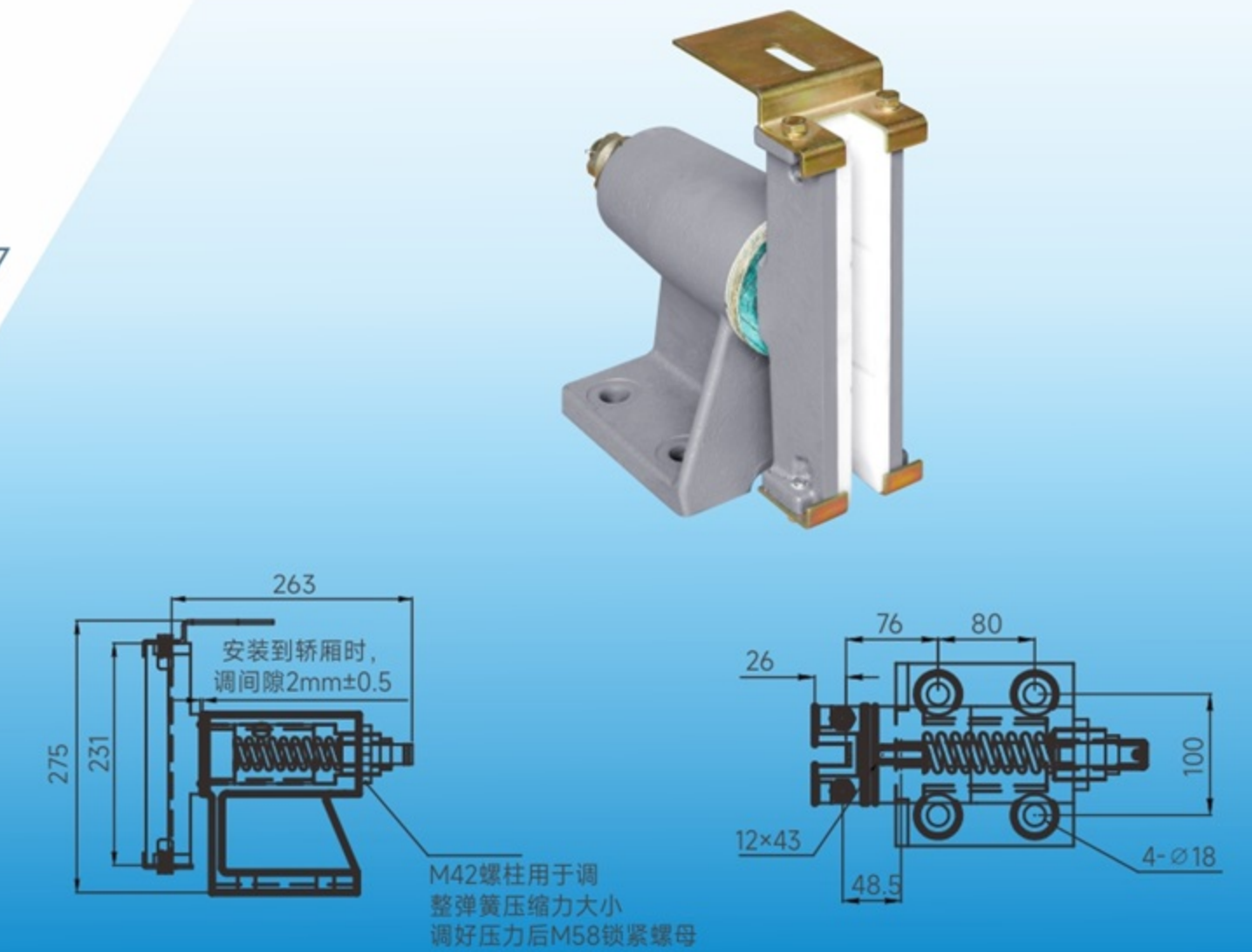
技术参数 Technical specification

型号 Type	L	L1	L2	H1	H	D	额定速度 Rated Speed	允许质量 (P+Q) Allowable gross mass	导轨宽度 Width of guide rail
HH101	175	75	50	85	220	ø14	$\leq 1.0 \text{ m/s}$	$\leq 3000 \text{ kg}$	10、16mm
HH102	205	62.5	75	75	245	ø19	$\leq 1.0 \text{ m/s}$	3000 ~ 4500kg	10、16mm
HH103	205	62.5	75	75	250	ø19	$\leq 1.0 \text{ m/s}$	4600 ~ 6600kg	16mm
HH104	275	62.5	75	125/(75)	250	ø19	$\leq 1.0 \text{ m/s}$	$\leq 10000 \text{ kg}$	16(19)mm

HH104C

滑动导靴

Sliding Guide Shoes



技术参数 Technical specification

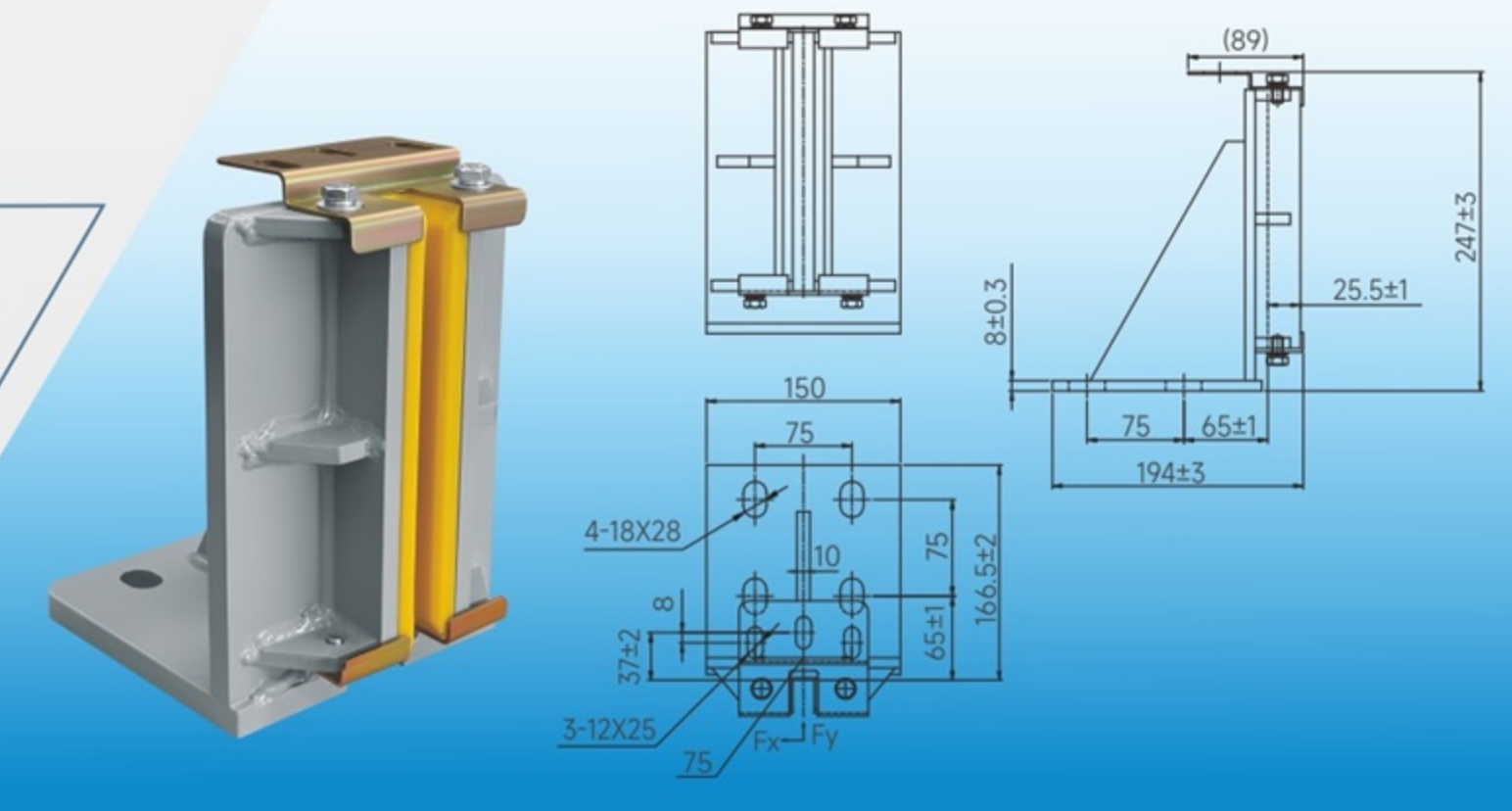
额定速度	$V \leq 2.0 \text{m/s}$
总允许质量(P+Q)	$\leq 12300 \text{kg}$
适用导轨宽度	16mm

HH102B

滑动导靴

技术参数

- 额定速度: $V \leq 1.0 \text{m/s}$ / $V \leq 2.0 \text{m/s}$
- 额定载重: $\leq 3000 \text{KG}$
- 导轨面正压力 F_y : 许用受力值: $\leq 10000 \text{N}$
- 导轨面侧压力 F_x : 许用受力值: $\leq 5000 \text{N}$
- 适用导轨导向面厚为: 10、16、16.4mm (选配)
- 导靴靴衬使用尼龙/高分子材料

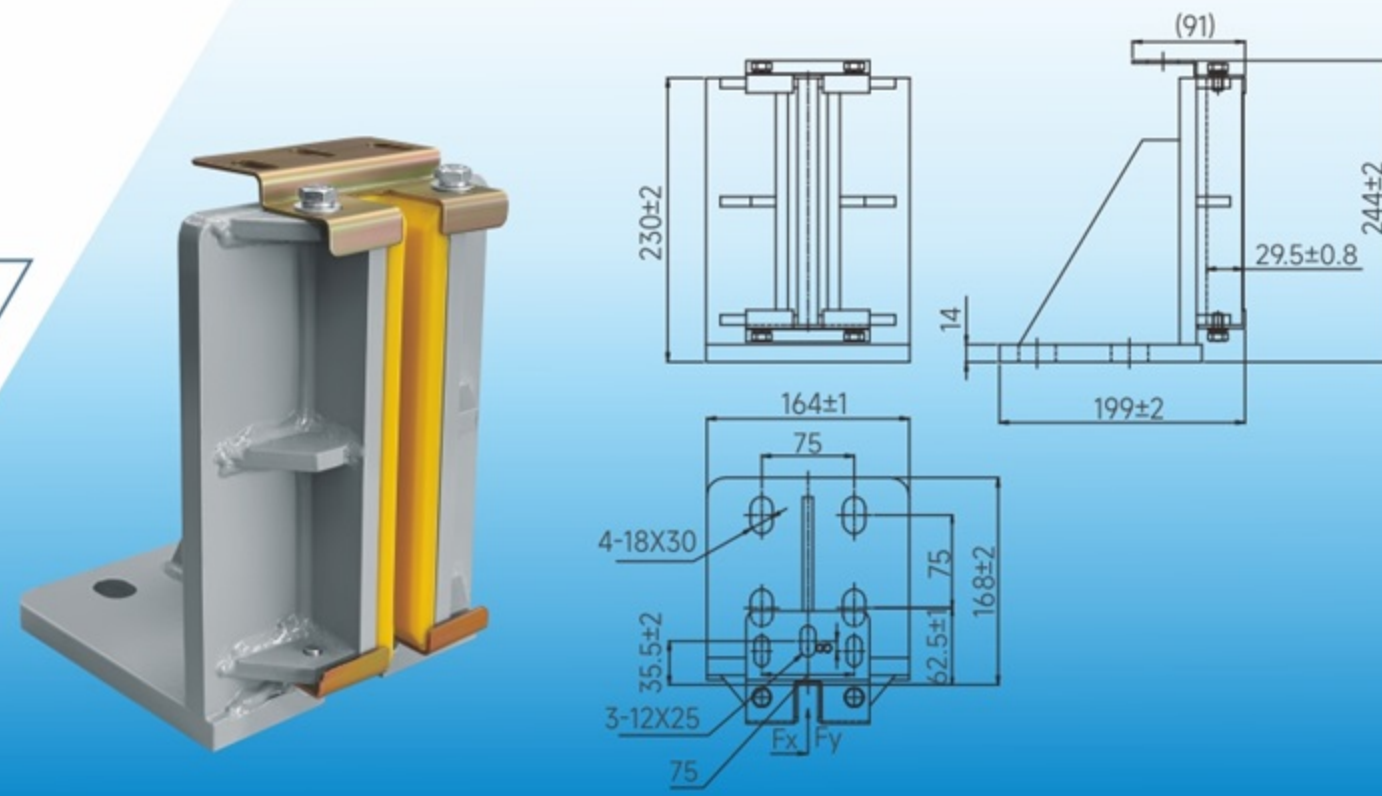


HH103B

滑动导靴

技术参数

- 额定速度: $V \leq 2.0\text{m/s}$
- 额定载重: $\leq 5000\text{KG}$
- 导轨面正压力 F_y : 许用受力值: $\leq 24000\text{N}$
- 导轨面侧压力 F_x : 许用受力值: $\leq 17500\text{N}$
- 适用导轨导向面宽度 K : 10, 16, 19mm (选配)
- 靴衬为高分子材质

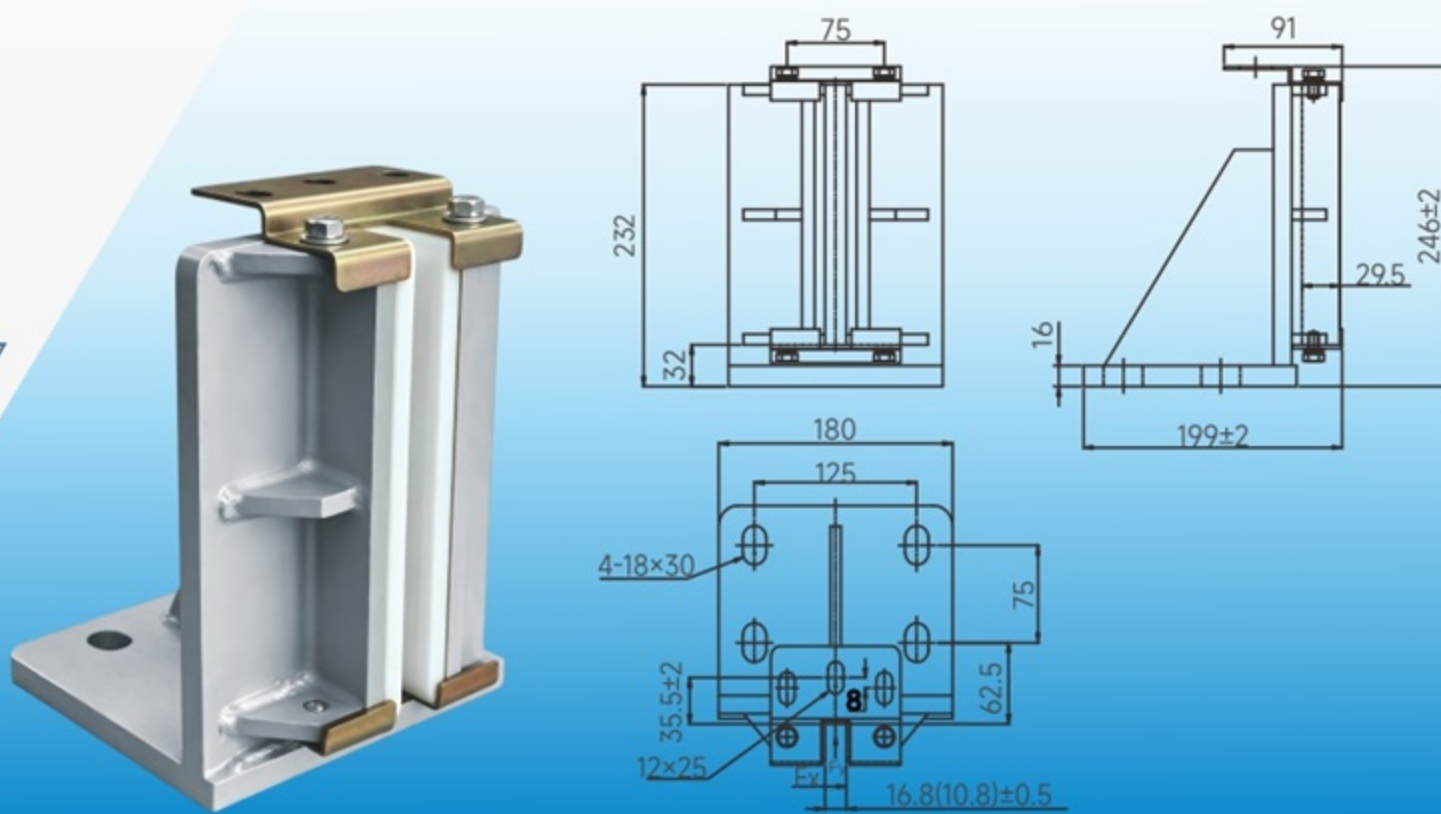


HH103C

滑动导靴

技术参数

- 额定速度: $V \leq 2.0\text{m/s}$
- 总允许质量 $(P+Q)$: $\leq 10500\text{kg}$
- 适用导轨宽度: 10, 16mm

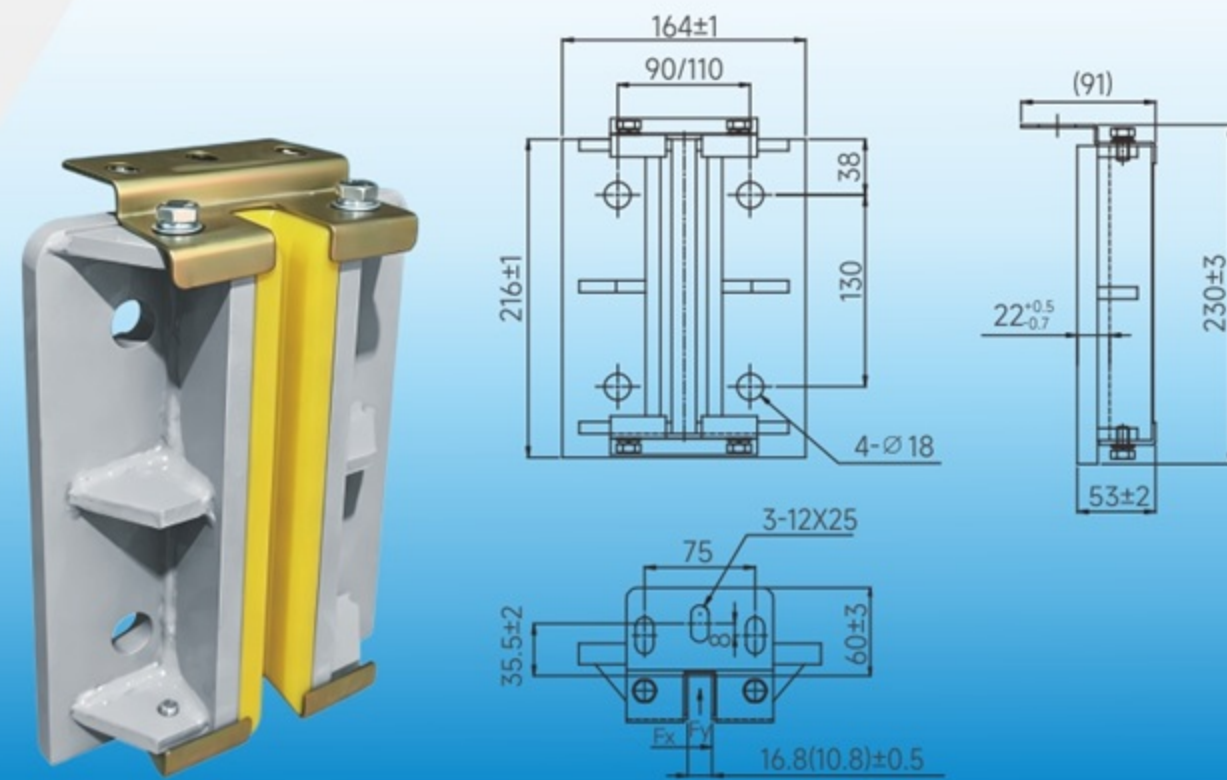


HH103D

滑动导靴

技术参数

- 额定速度: $V \leq 2.0\text{m/s}$
- 额定载重: $\leq 5000\text{KG}$ (轿厢侧)
- 总重: $\leq 25000\text{KG}$ (对重侧)
- 导轨面正压力 F_y : 许用受力值: $\leq 20000\text{N}$
- 导轨面侧压力 F_x : 许用受力值: $\leq 21500\text{N}$
- 适用导轨导向面宽度 K : 10, 16, 19mm (选配)
- 靴衬为高分子材质

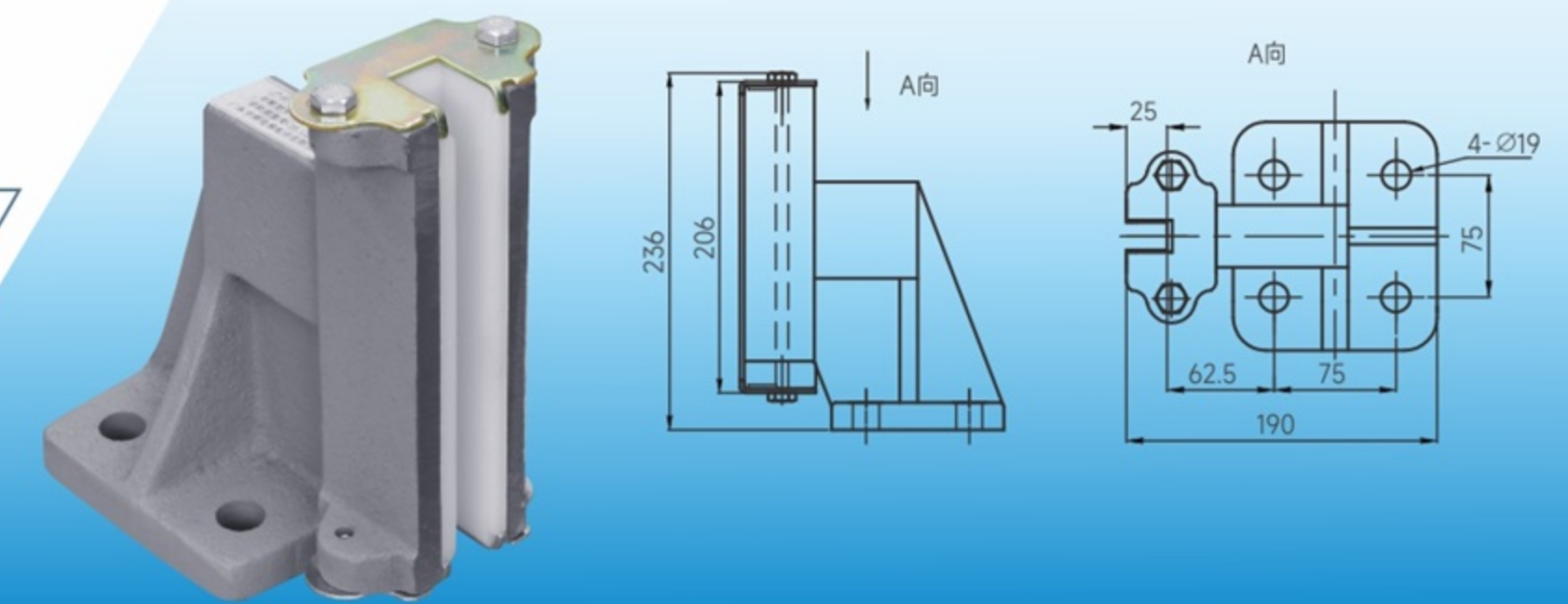


HH104D

滑动导靴

技术参数

- 额定速度: $V \leq 1.0\text{m/s}$
- 总允许质量 $(P+Q)$: $\leq 7700\text{kg}$
- 适用导轨宽度: 16, 19mm

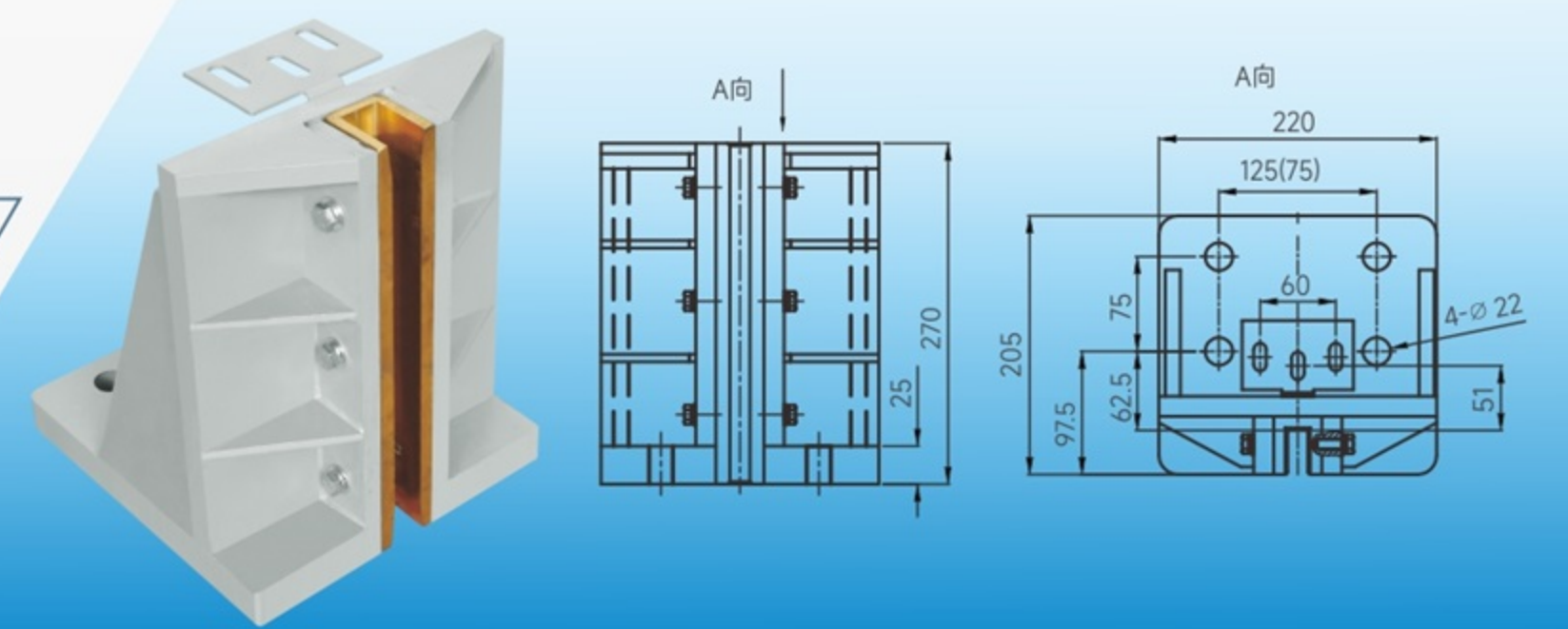


HH105 滑动导靴

铜靴衬

技术参数

- 额定速度: $V \leq 1.0\text{m/s}$
- 载重: $\leq 15000\text{kg}$
- 适用导轨宽度: 16, 19mm

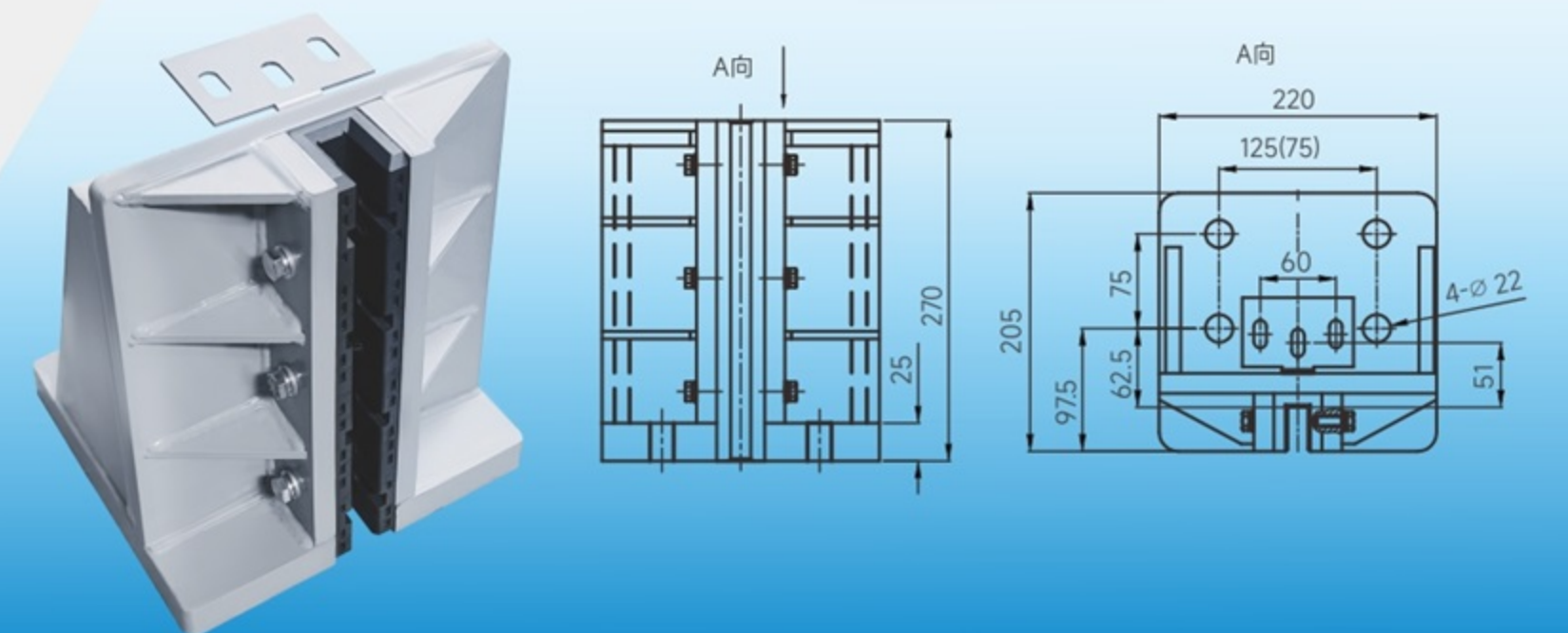


HH105A 滑动导靴

超耐磨复合材料靴衬

技术参数

- 额定速度: $V \leq 1.75\text{m/s}$
- 载重: $\leq 15000\text{kg}$
- 适用导轨宽度: 16, 19mm

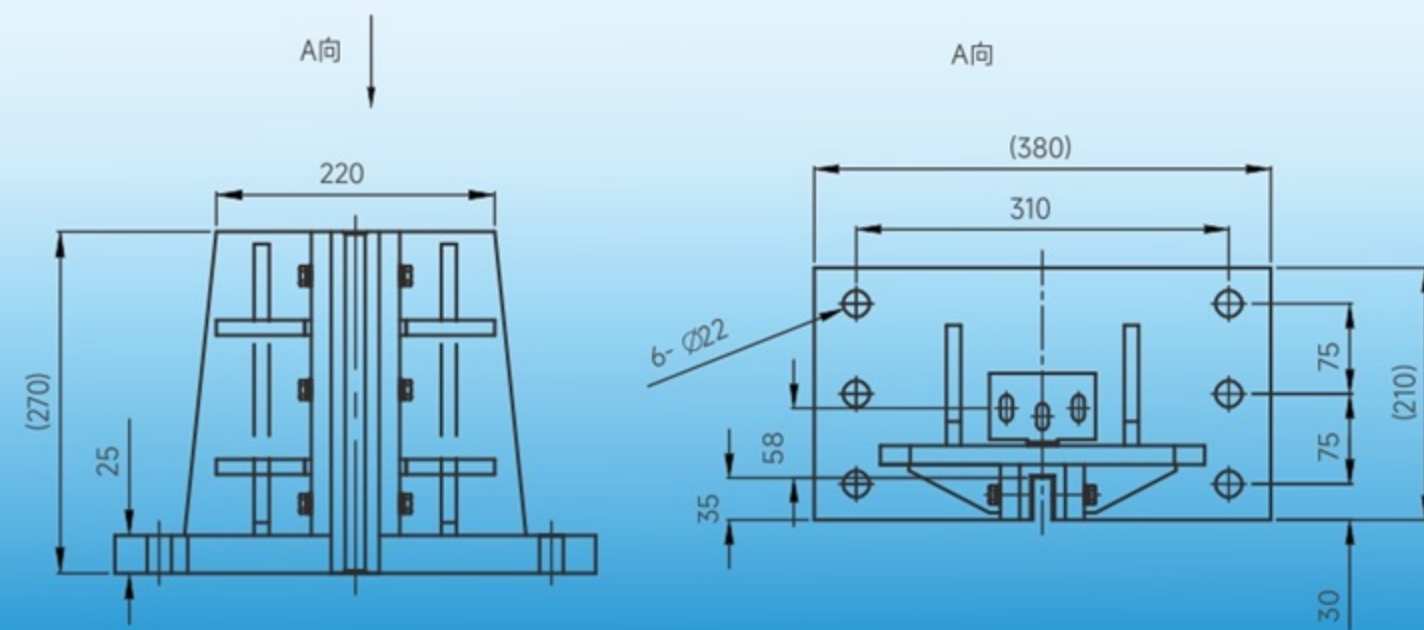


HH105B 滑动导靴

铜靴衬
超耐磨复合材料靴衬

技术参数

- 额定速度：V≤1.0m/s
- 总允许质量(P+Q)：≤15500kg
- 适用导轨宽度：16、19mm

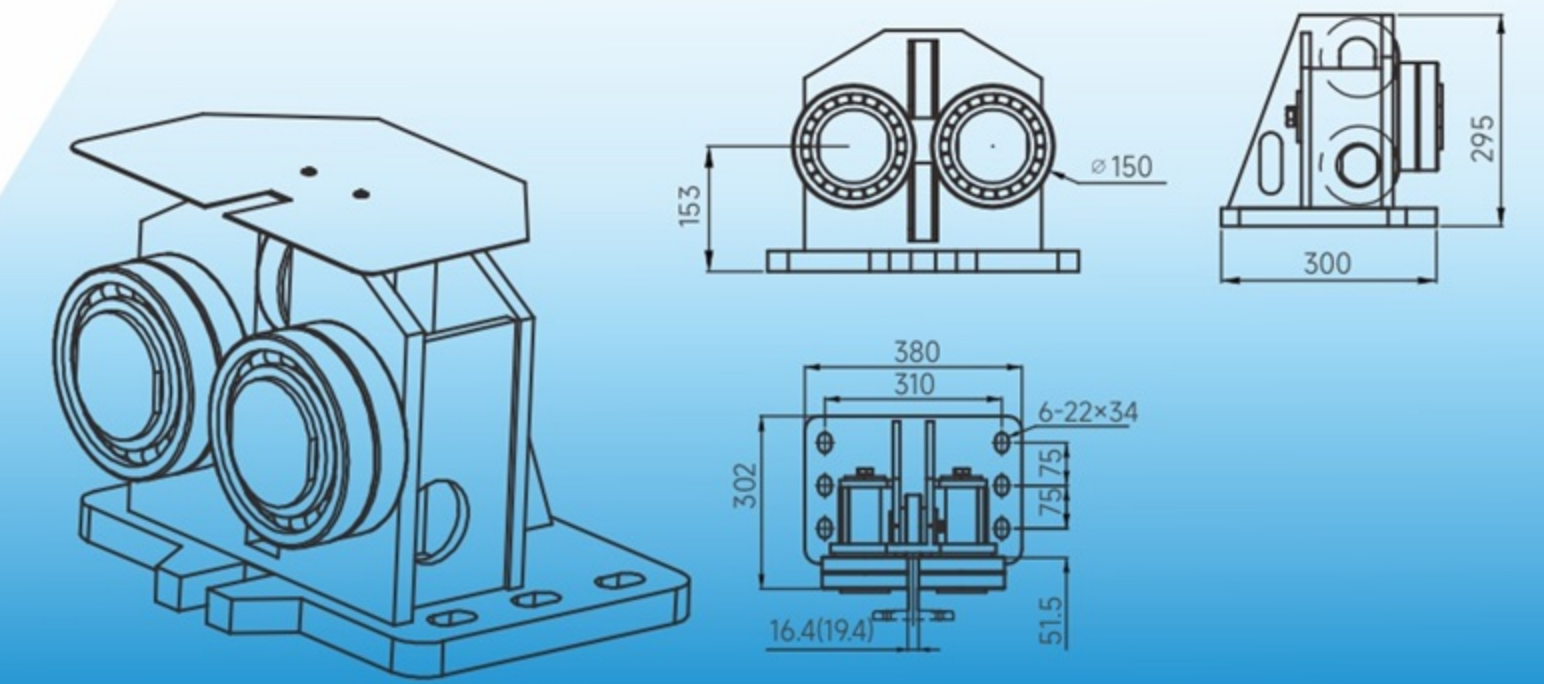


HH109

滚动导靴

技术参数

- 额定速度：V≤1.0m/s
- 总允许质量(P+Q)：≤20000kg
- 适用导轨宽度：16、19mm

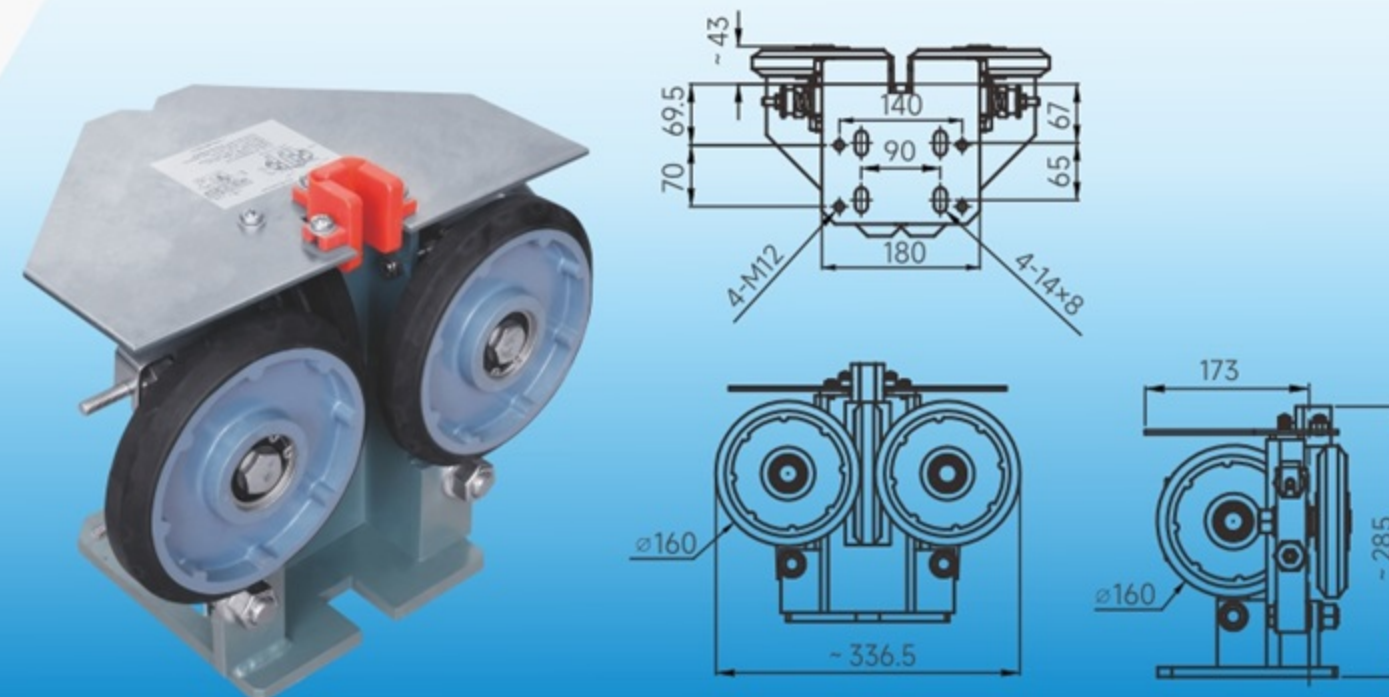


HH106

滚动导靴

技术参数

- 额定速度：V≤3.5m/s
- 总允许质量(P+Q)：≤3600kg
- 适用导轨宽度：10、16mm

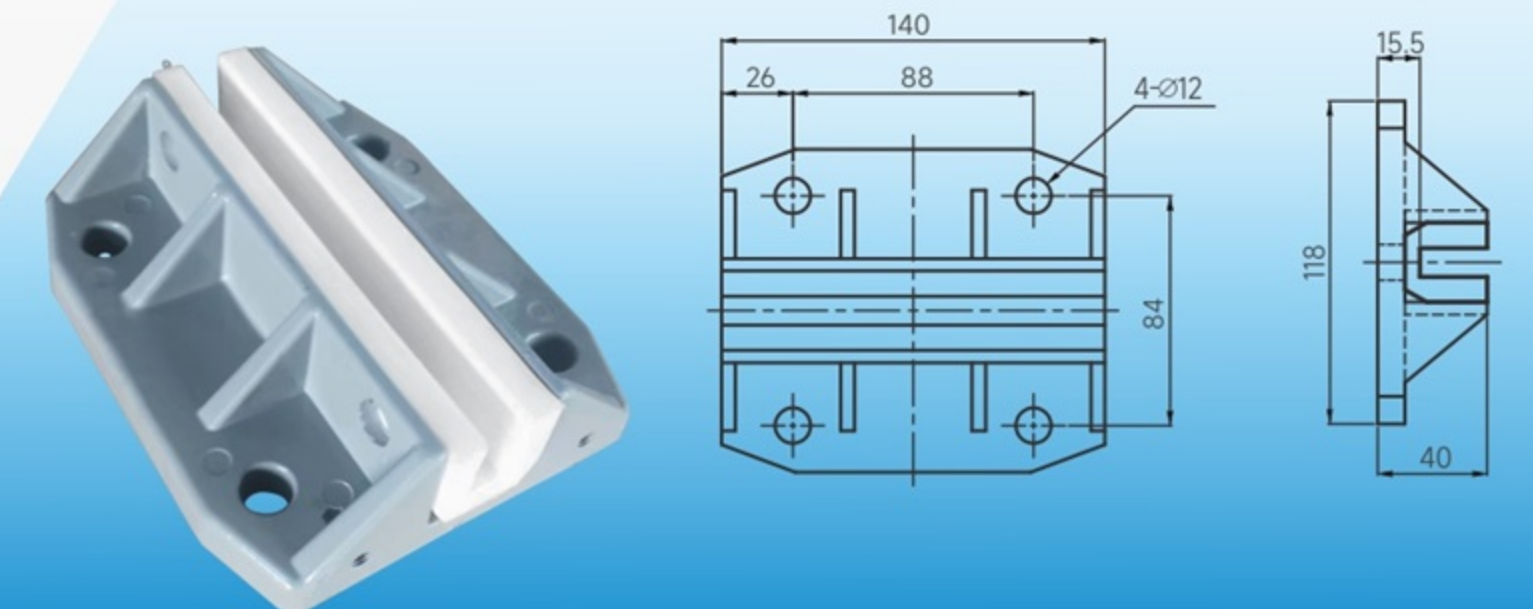


HH108

导靴

技术参数

- 额定速度：V≤1.75m/s
- 适用导轨宽度：10mm

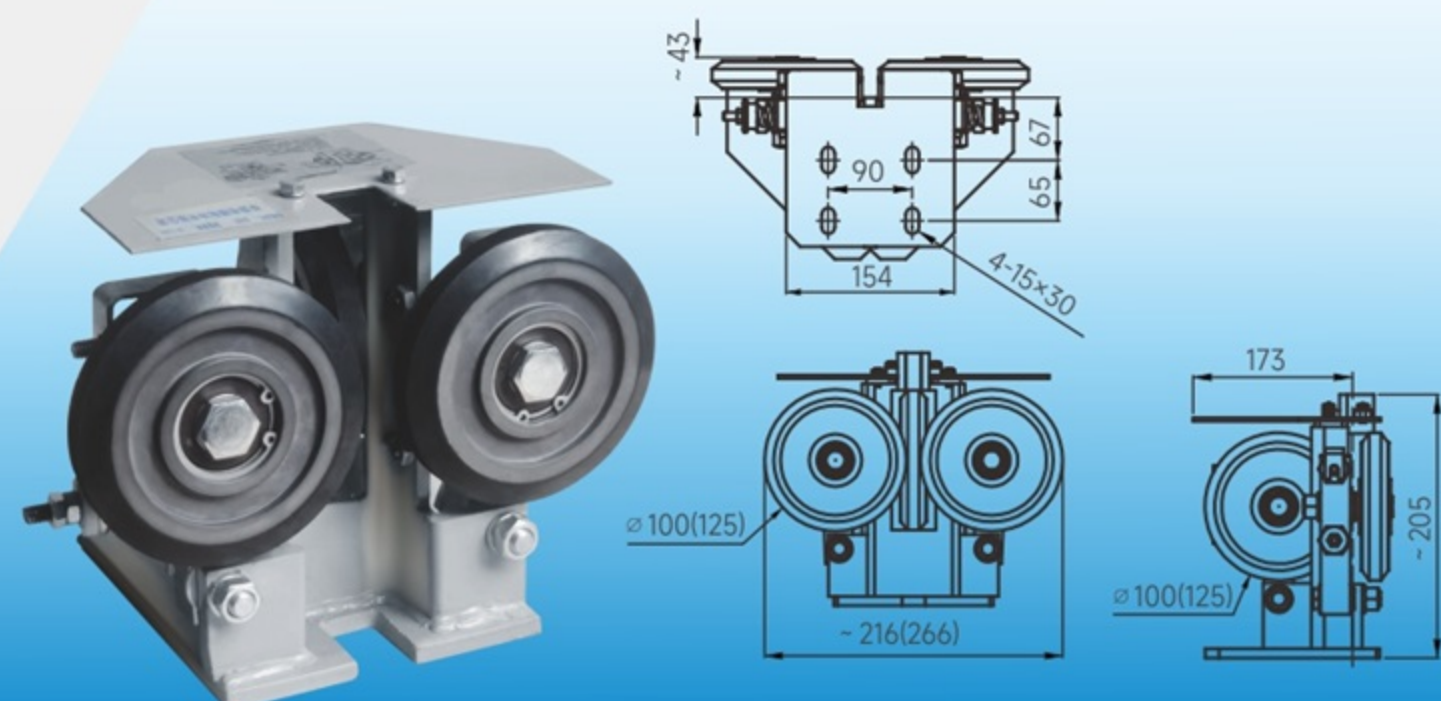


HH107/ HH107B

滚动导靴

技术参数

- 总允许质量(P+Q)：≤3000kg
- 适用导轨宽度：10、16mm
- 额定速度：V≤2.5m/s
- 注：HH107型滚轮直径为100mm；
HH107B型滚轮直径为125mm

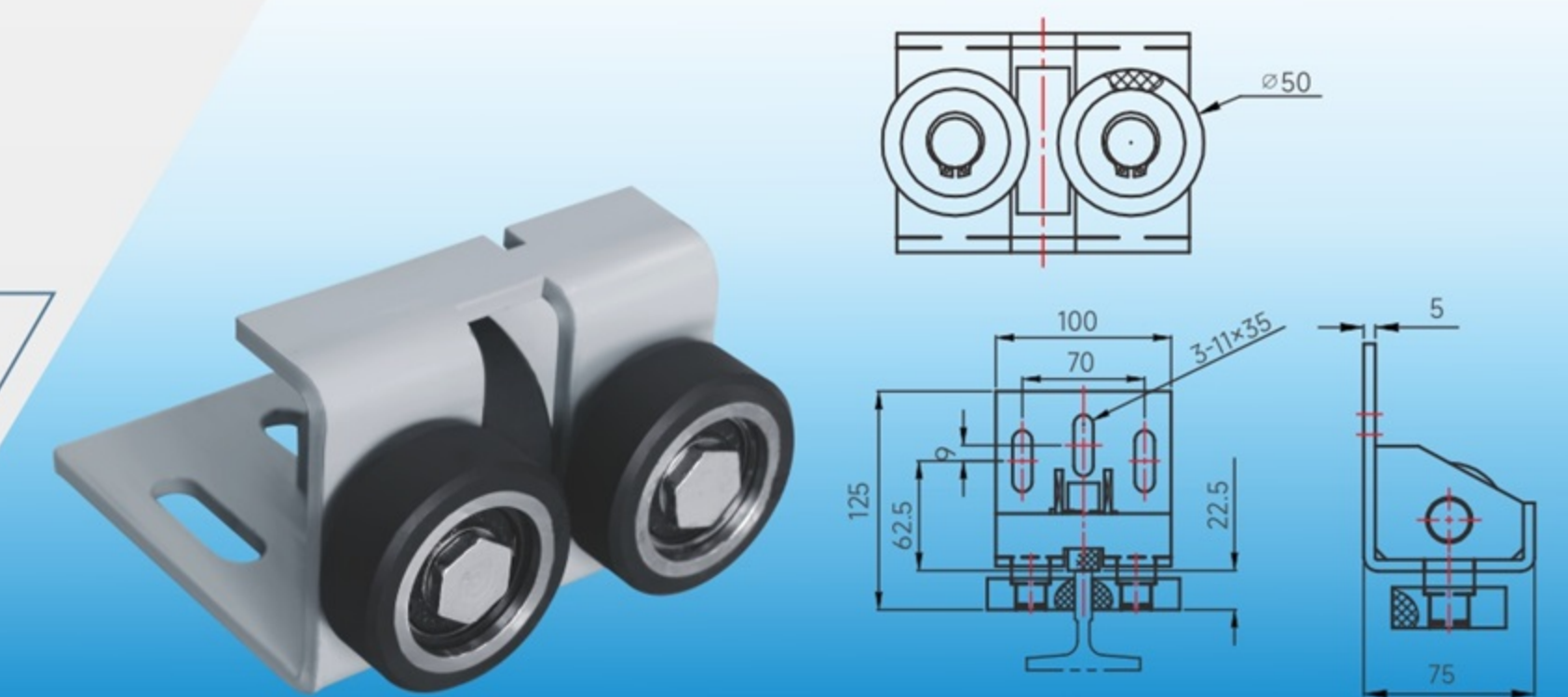


HH110

滚动导靴

技术参数

- 额定速度：V≤1.75m/s
- 适用导轨宽度：10、16mm

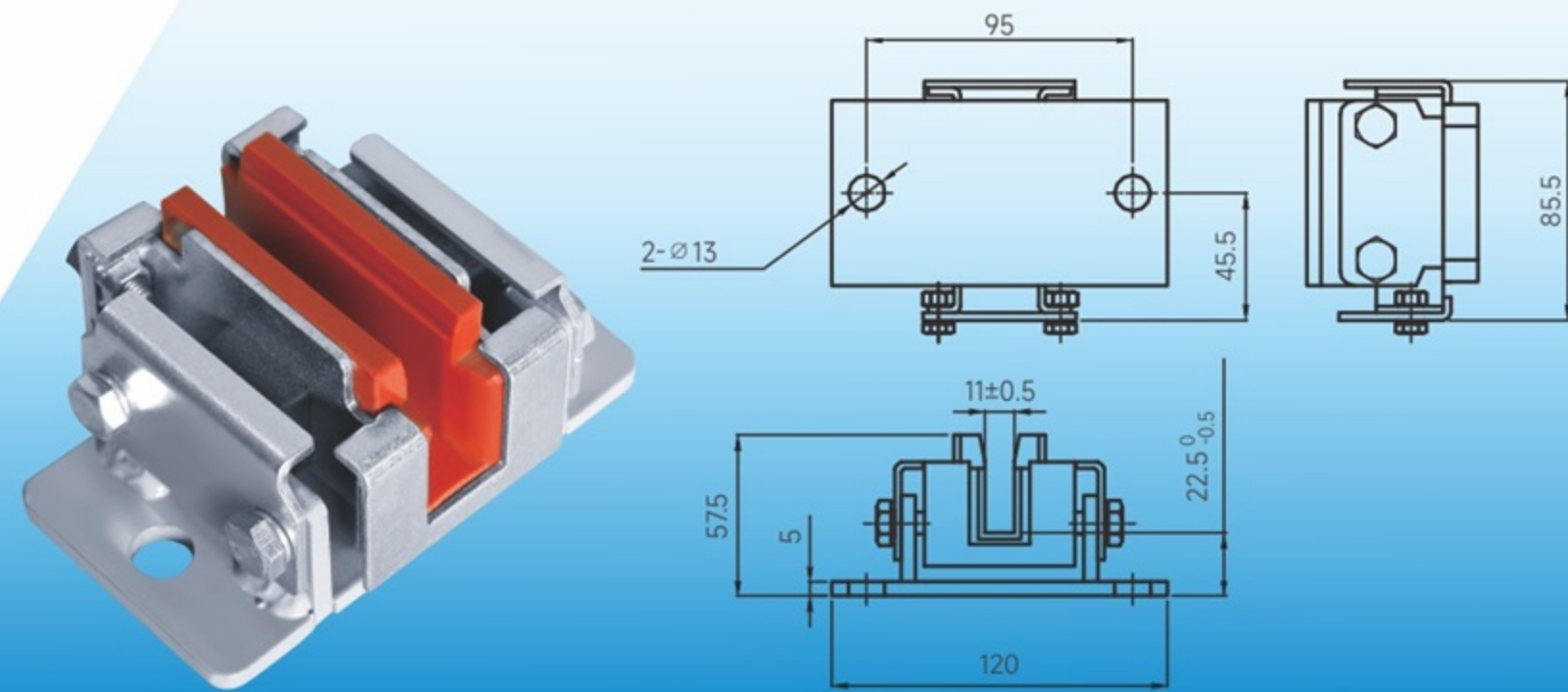


YP20

导靴

技术参数

- 额定载重: $\leq 630\text{kg}$
- 额定速度: $V \leq 1.0\text{m/s}$
- 适用导轨宽度: 10、16mm

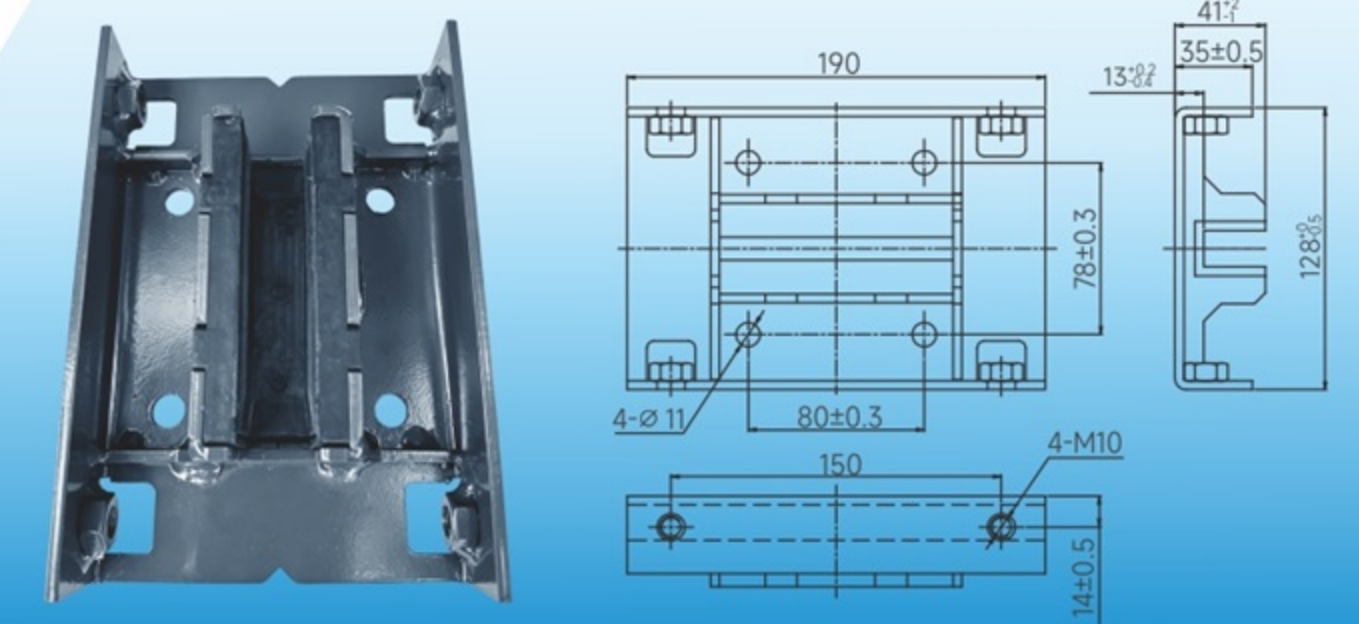


YP23

滑动导靴 (自润滑)

技术参数

- 额定速度: $V \leq 1.0\text{m/s}$
- 额定载重: $\leq 860\text{KG}$ (轿厢侧)
总重: $\leq 3000\text{KG}$ (对重侧)
- 导轨面正压力 F_y : 许用受力值: $\leq 800\text{N}$
导轨面侧压力 F_x : 许用受力值: $\leq 650\text{N}$
- 适用导轨导向面宽度 K : 10、16mm (选配)
- 靴衬为高分子材质

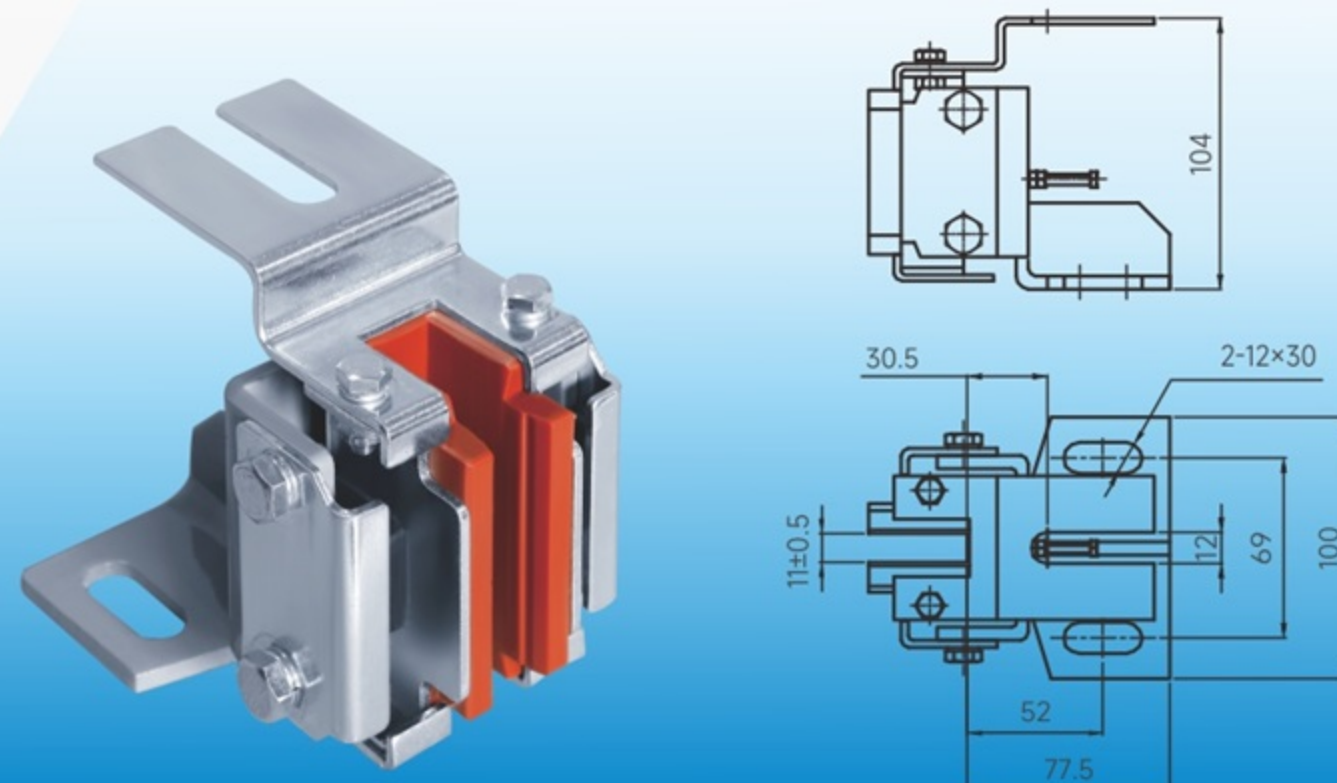


YP21

导靴

技术参数

- 额定载重: $\leq 630\text{kg}$
- 额定速度: $V \leq 1.0\text{m/s}$
- 适用导轨宽度: 10、16mm

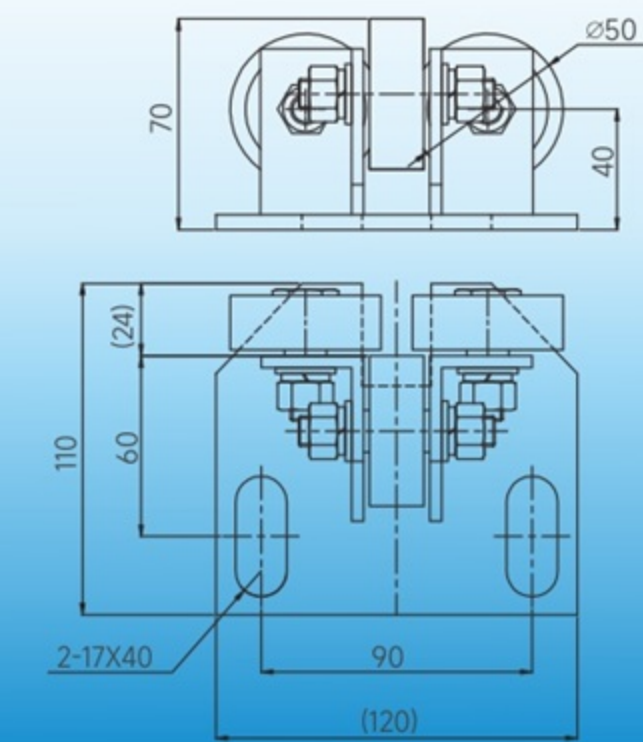


HH110-A

滚动导靴

技术参数

- 额定速度: $\leq 1.75\text{m/s}$
- 滚轮载荷: $\leq 500\text{N}$
- 滚轮材质: PU
- 适用导轨宽 K : 10mm

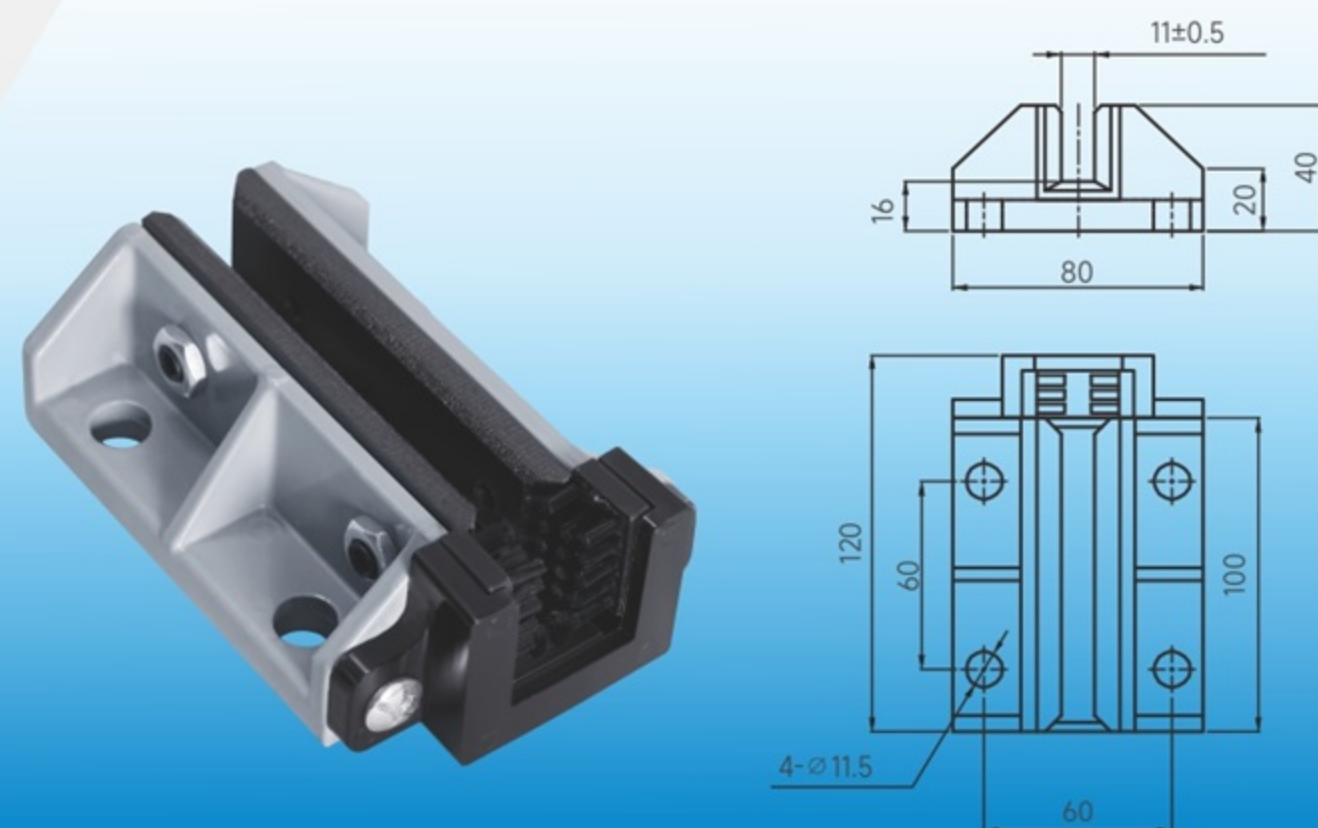


YP22

导靴 (自润滑)

技术参数

- 额定载重: $\leq 630\text{kg}$
- 额定速度: $V \leq 1.75\text{m/s}$
- 适用导轨宽度: 10、16mm

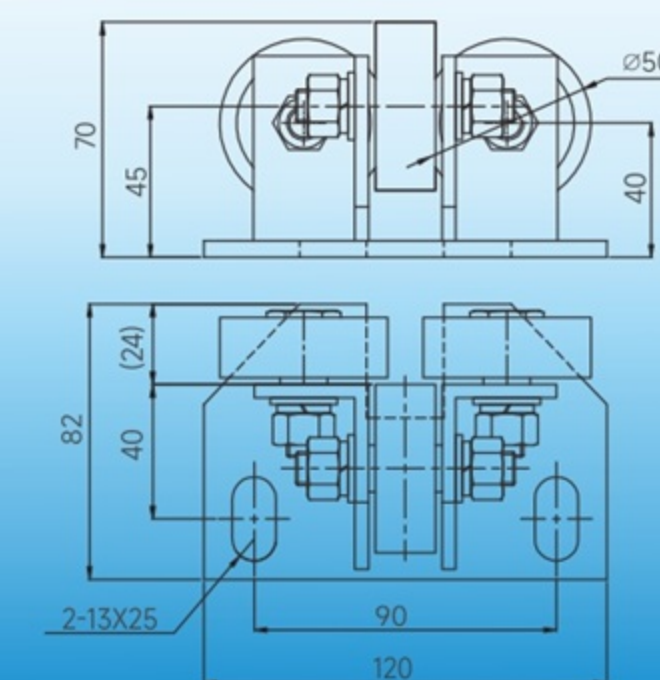


HH110-B

滚动导靴

技术参数

- 额定速度: $\leq 1.75\text{m/s}$
- 滚轮载荷: $\leq 500\text{N}$
- 滚轮材质: PU
- 适用导轨宽 K : 10mm

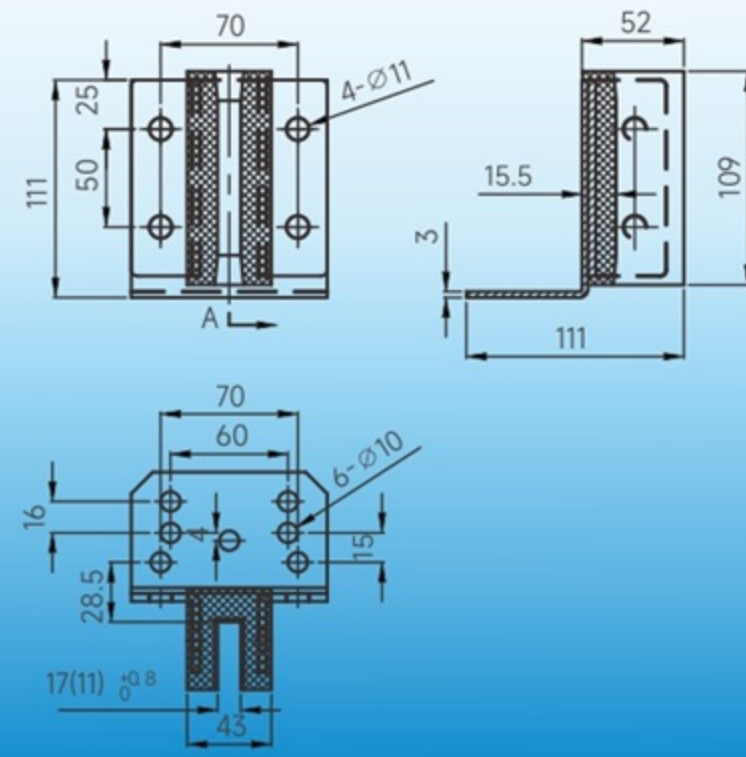


HH113

副靴

技术参数

- 额定速度: $V \leq 1.75\text{m/s}$
- 适用导轨宽度: 10、16.4mm

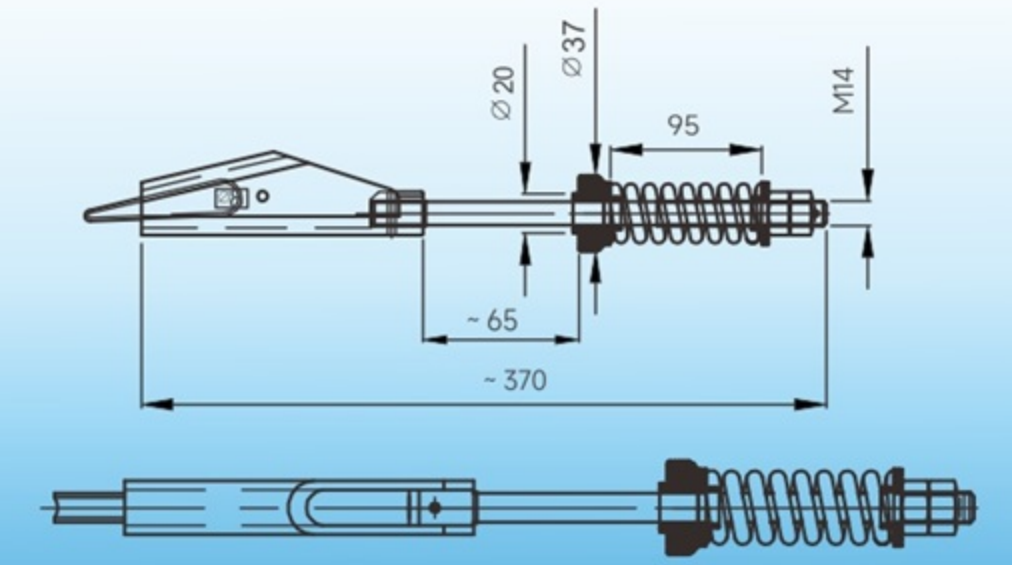


∅6/∅8

绳头组合

技术参数

- 适用钢丝绳直径(mm): ∅6、∅8
- 适用的钢丝绳最小破断载荷(KN): 17.8(∅6)、28.1(∅8)

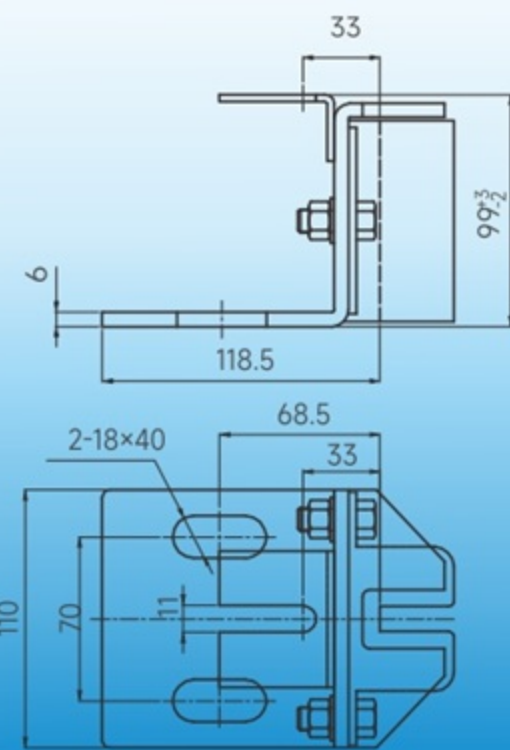


HH114

导靴

技术参数

- 额定载重: $\leq 630\text{kg}$
- 额定速度: $V \leq 1.0\text{m/s}$
- 适用导轨宽度: 10、16、16.4mm

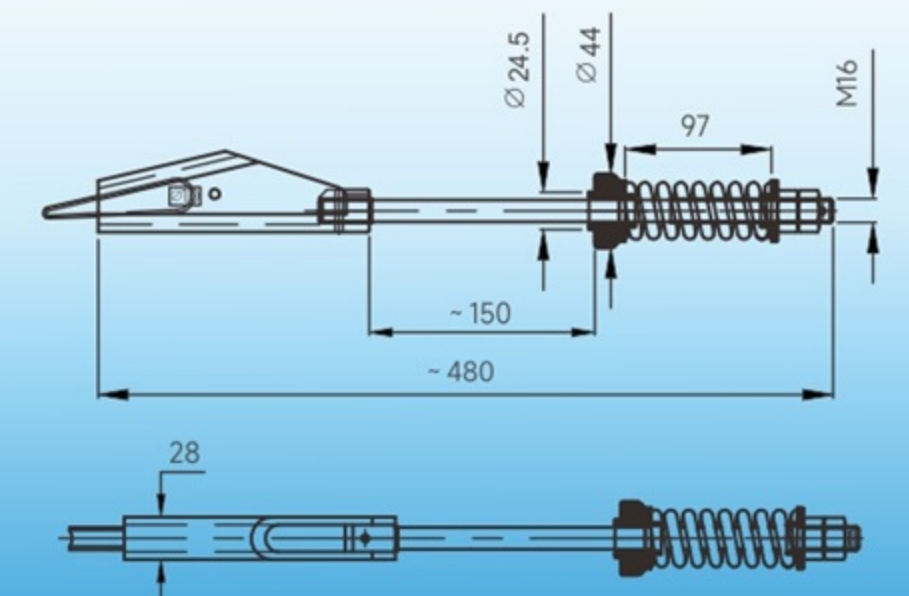


∅10

绳头组合

技术参数

- 适用钢丝绳直径(mm): ∅10
- 适用的钢丝绳最小破断载荷(KN): 44

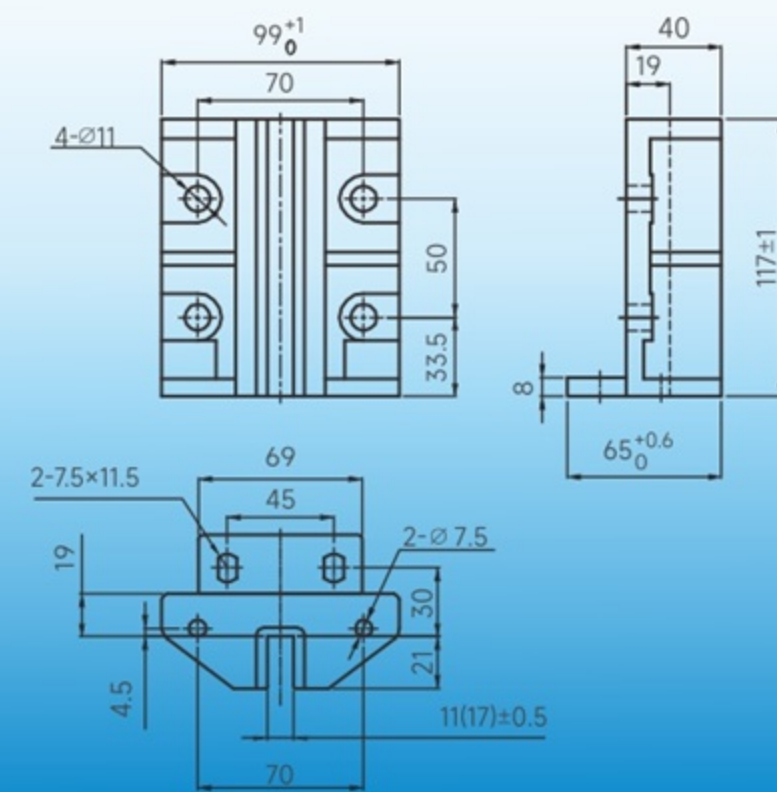


HH116

全尼龙副靴

技术参数

- 额定载重: $\leq 630\text{kg}$
- 额定速度: $V \leq 1.0\text{m/s}$
- 适用导轨宽度: 10、16、16.4mm

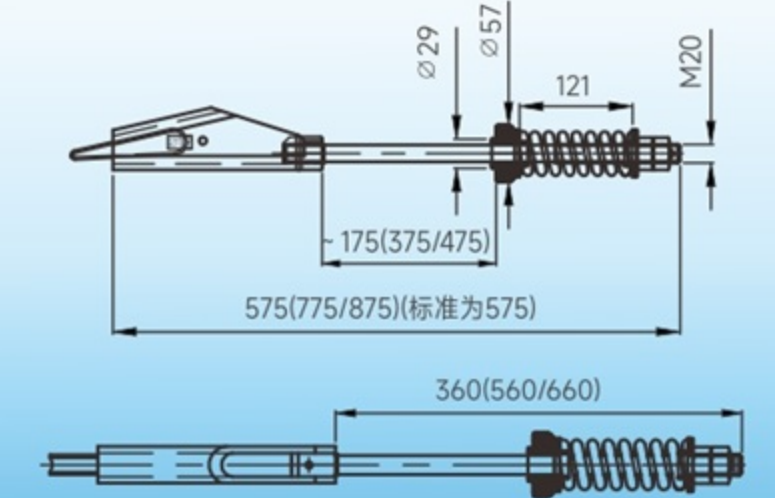


∅12/∅13

绳头组合

技术参数

- 适用钢丝绳直径(mm): ∅12、∅13
- 适用的钢丝绳最小破断载荷(KN): 63.3(∅12)、74.3(∅13)

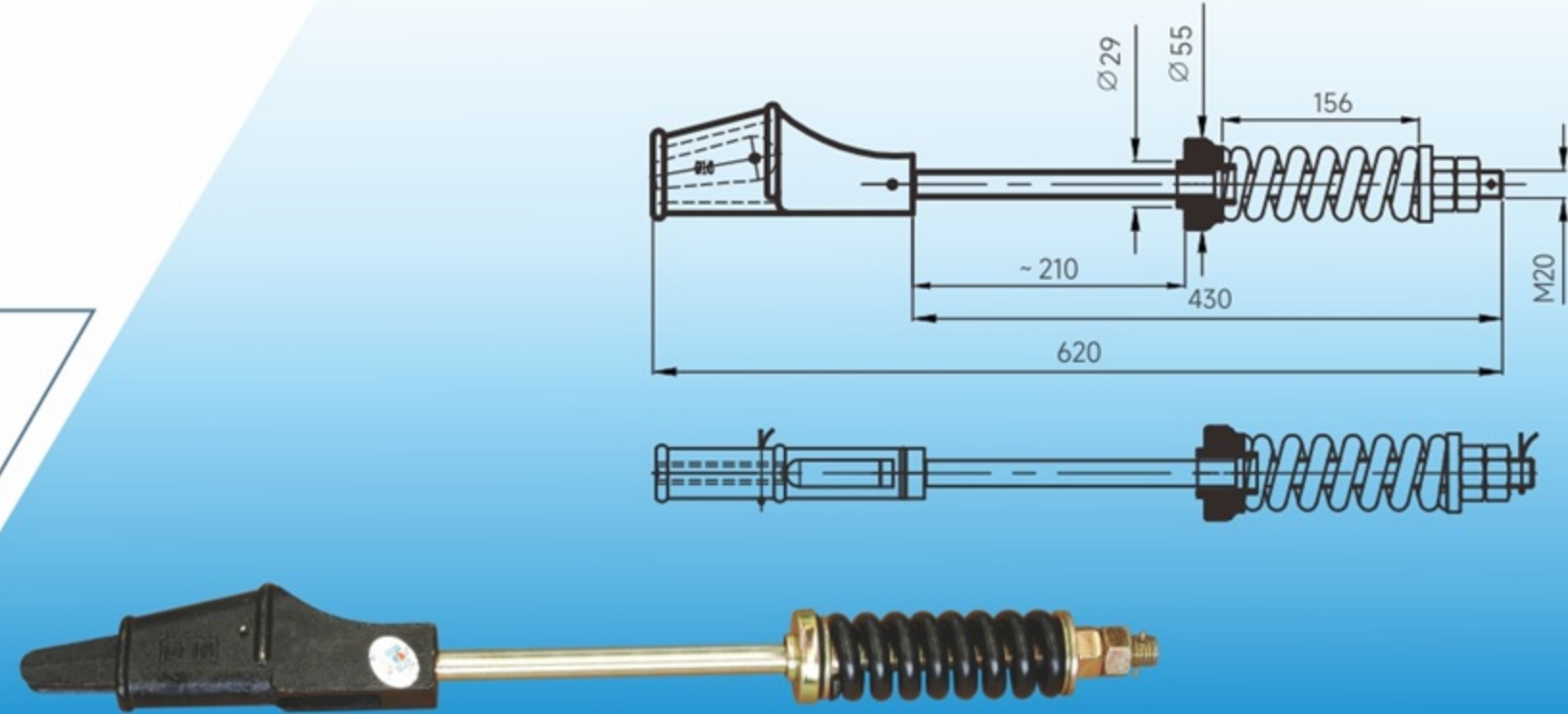


∅16

绳头组合

技术参数

- 适用钢丝绳直径(mm) : ∅16
- 适用的钢丝绳最小破断载荷(KN) : 113

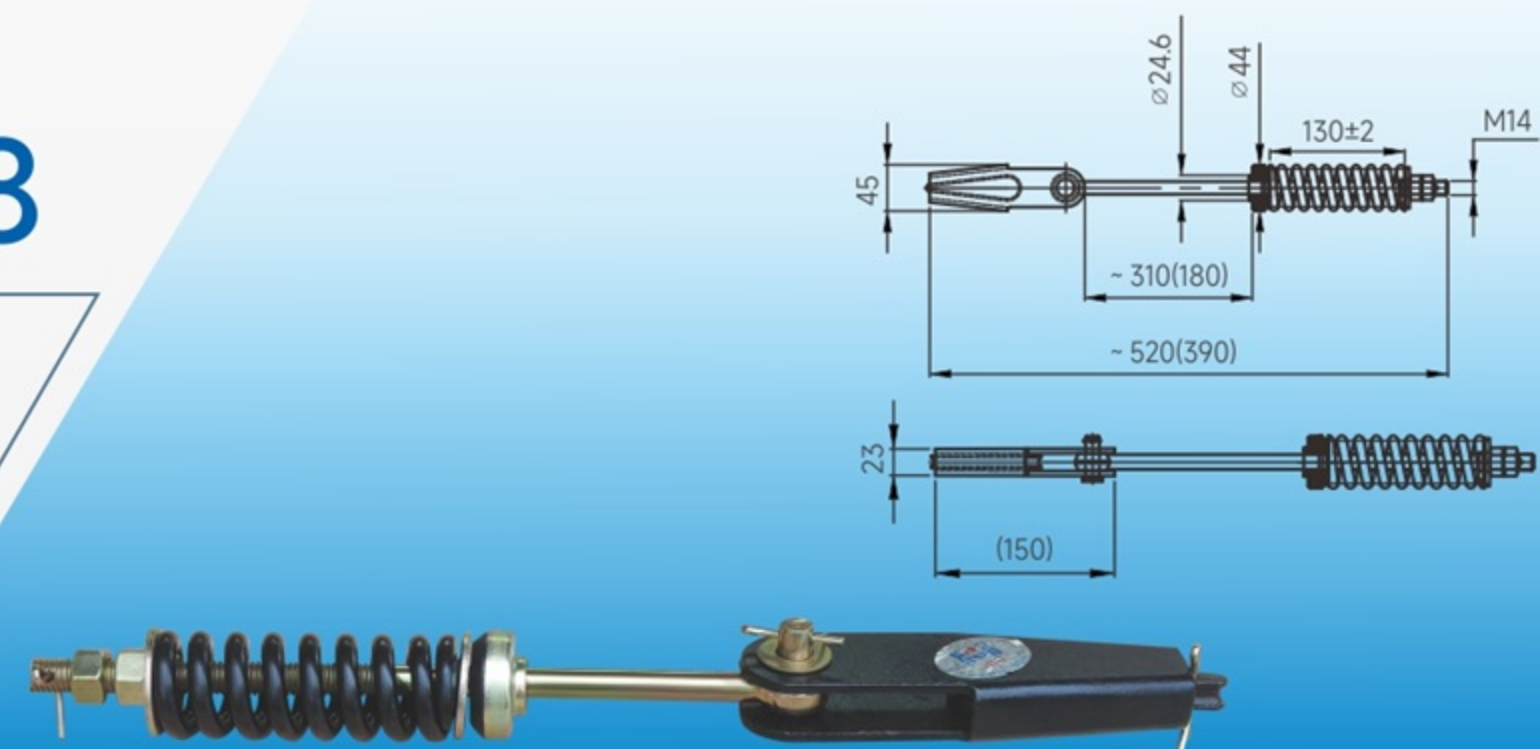


HH225-∅8

摆臂式绳头组合

技术参数

- 适用钢丝绳直径(mm) : ∅8
- 适用的钢丝绳最小破断载荷(KN) : 28.1

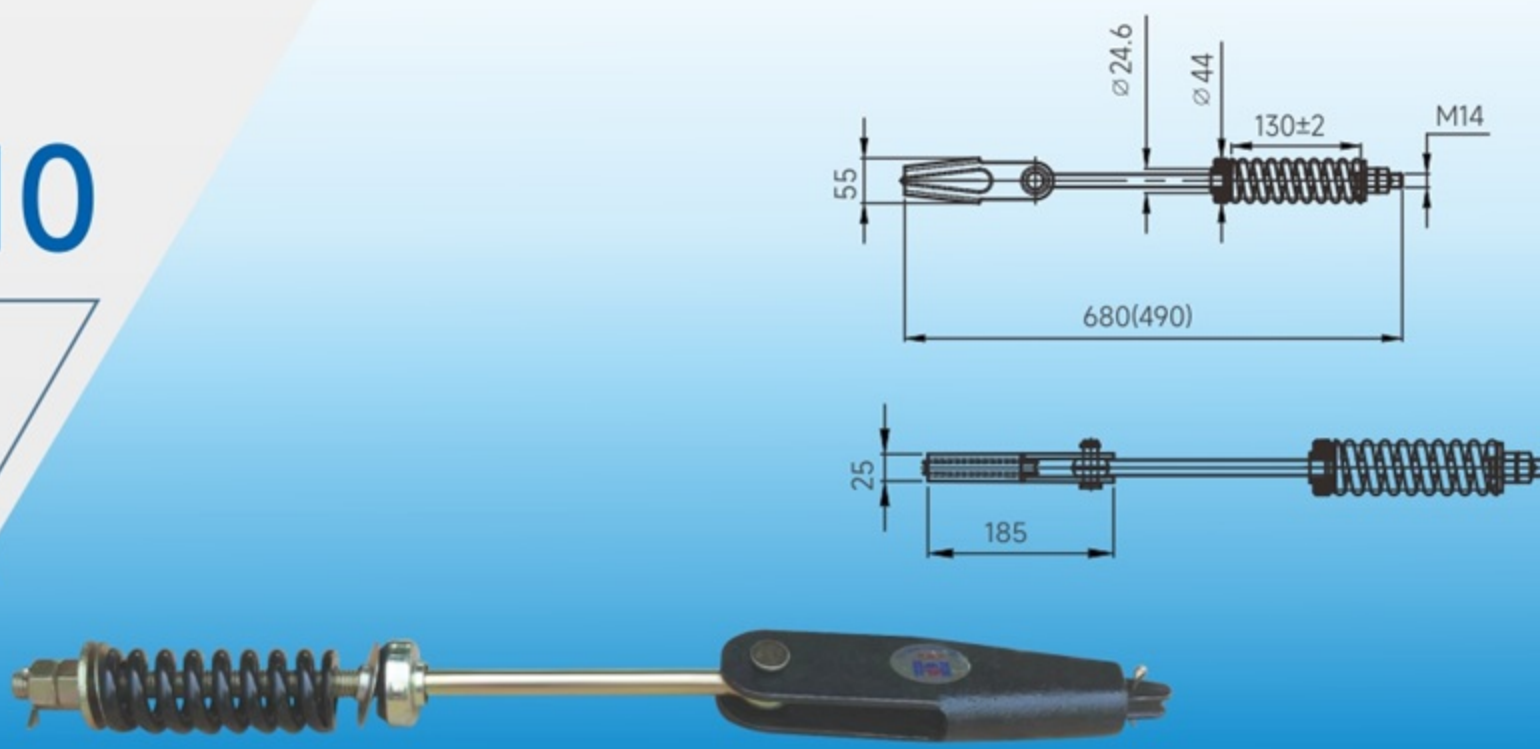


HH226-∅10

摆臂式绳头组合

技术参数

- 适用钢丝绳直径(mm) : ∅10
- 适用的钢丝绳最小破断载荷(KN) : 44

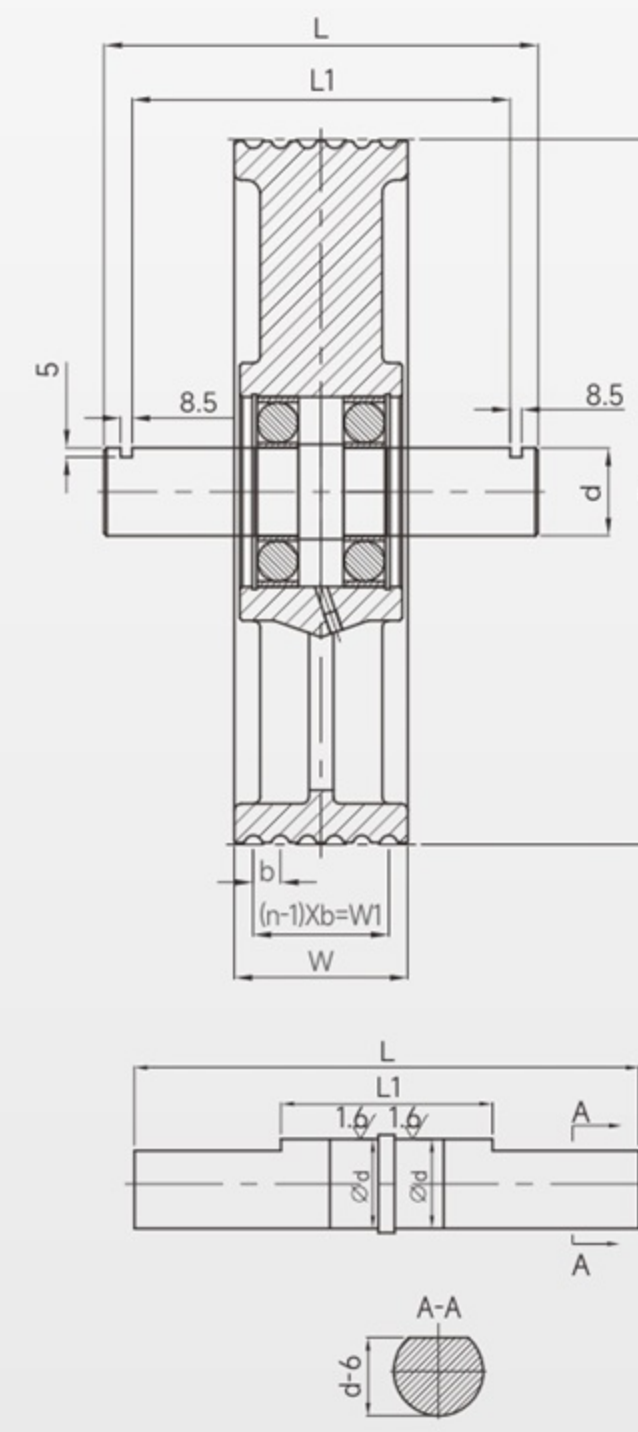


HH227/HH228

铸件导向轮/尼龙导向轮 Casting Guide Wheel / Nylon Guide Wheel



安装示意图 Installation diagram



常用绳轮规格 Rope wheel specification

绳轮中径(D)	槽数(n)	槽距(b)	轮厚(W)	使用轴承
Type	Number of slots (n)	Slot spacing (b)	Wheel thickness (W)	Using bearings
320	4	12	72	6311
320	5	12	72	6311
320	6	12	90	6311
320	7	12	96	6311
400	4	16	72	6311
400	5	16	90	6311
400	6	16	110	6311
400	8	16	140	6311
400	8	16	140	6313
400	10	14	160	6316
520	5	16	90	6311
520	6	16	110	6311
520	5	20	110	6311
520	6	20	130	6313
520	7	18	140	6313
640	5	25	132	6313
640	6	25	160	6316
640	7	18	140	6316
640	10	14	152	6316

◎ 我司亦有专业团队研发各种超高速电梯子，大载重铸铁轮。如超高速电梯：10M/S, 8M/S等超高速复绕轮，对重，导向轮等。
◎ 大吨位载重做过50吨载重电梯的对重轮，导向轮等。在广州有2台40吨载重的电梯已于2017年交付客户使用至今已有七年。近年来也做比较多类似这些比较大吨位的绳轮，如10-30吨载重的电梯数不胜数，技术比较成熟可靠。

绳头组合

绳轮

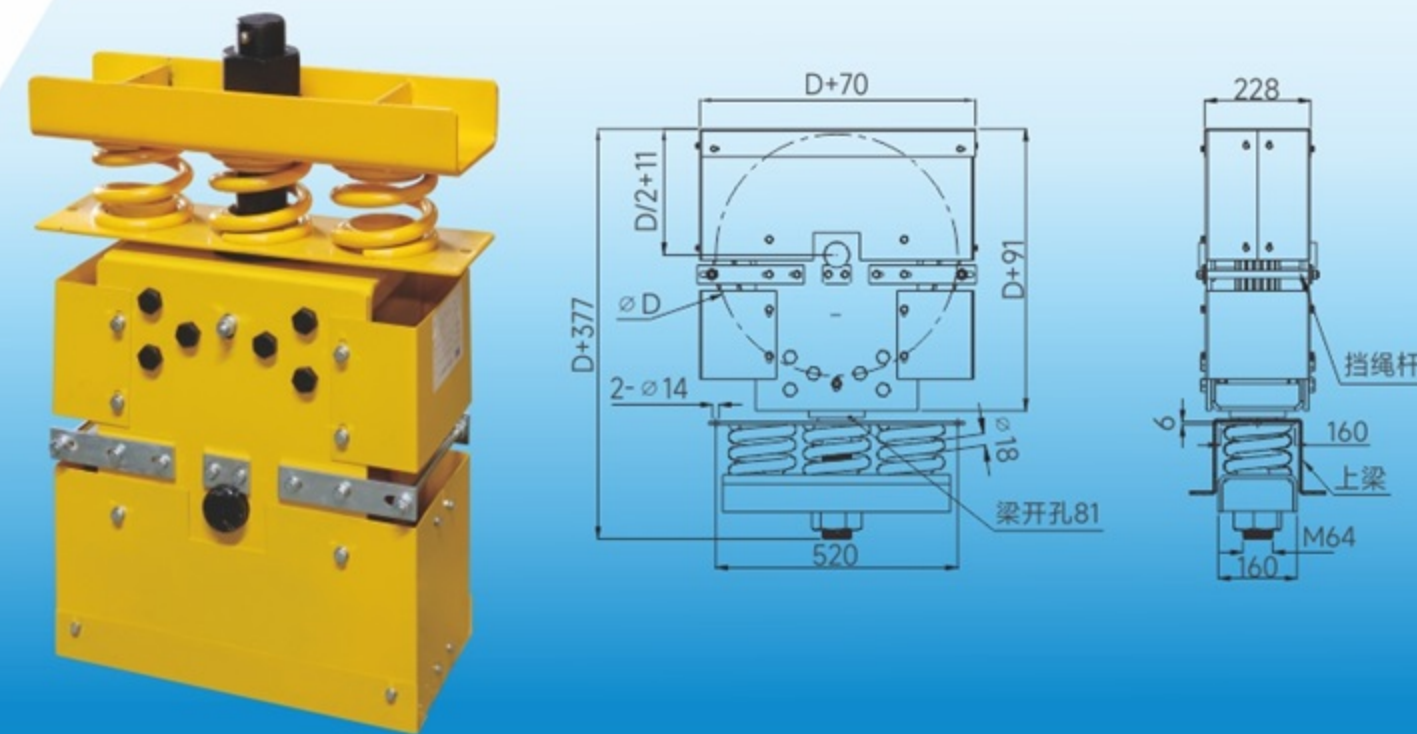
专利号: CN201620759825.6

HH229-A

单轮轿顶轮装置
(弹簧型)

技术参数

- 额定速度: $V \leq 2.5\text{m/s}$
- 总允许质量(P+Q): $\leq 3600\text{kg}$

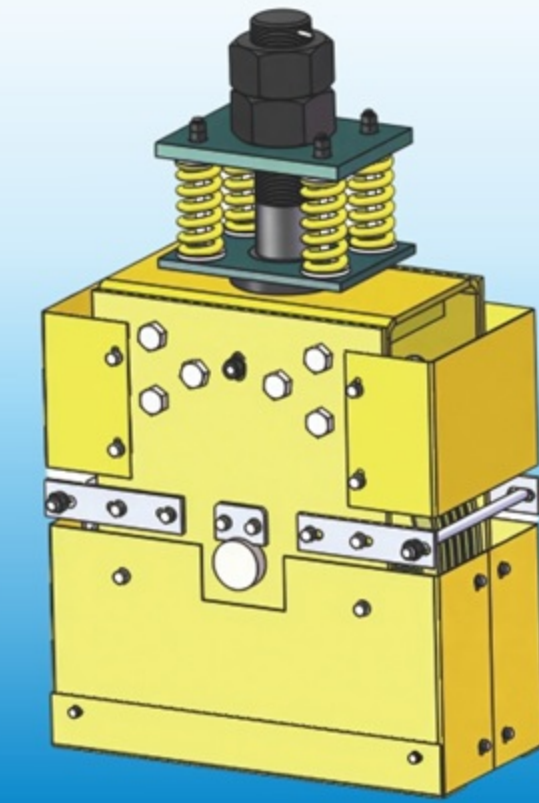


HH229-D

单轮轿顶轮装置

技术参数

- 额定速度: $V \leq 2.5\text{m/s}$
- 总允许质量(P+Q): $\leq 2800\text{kg}$

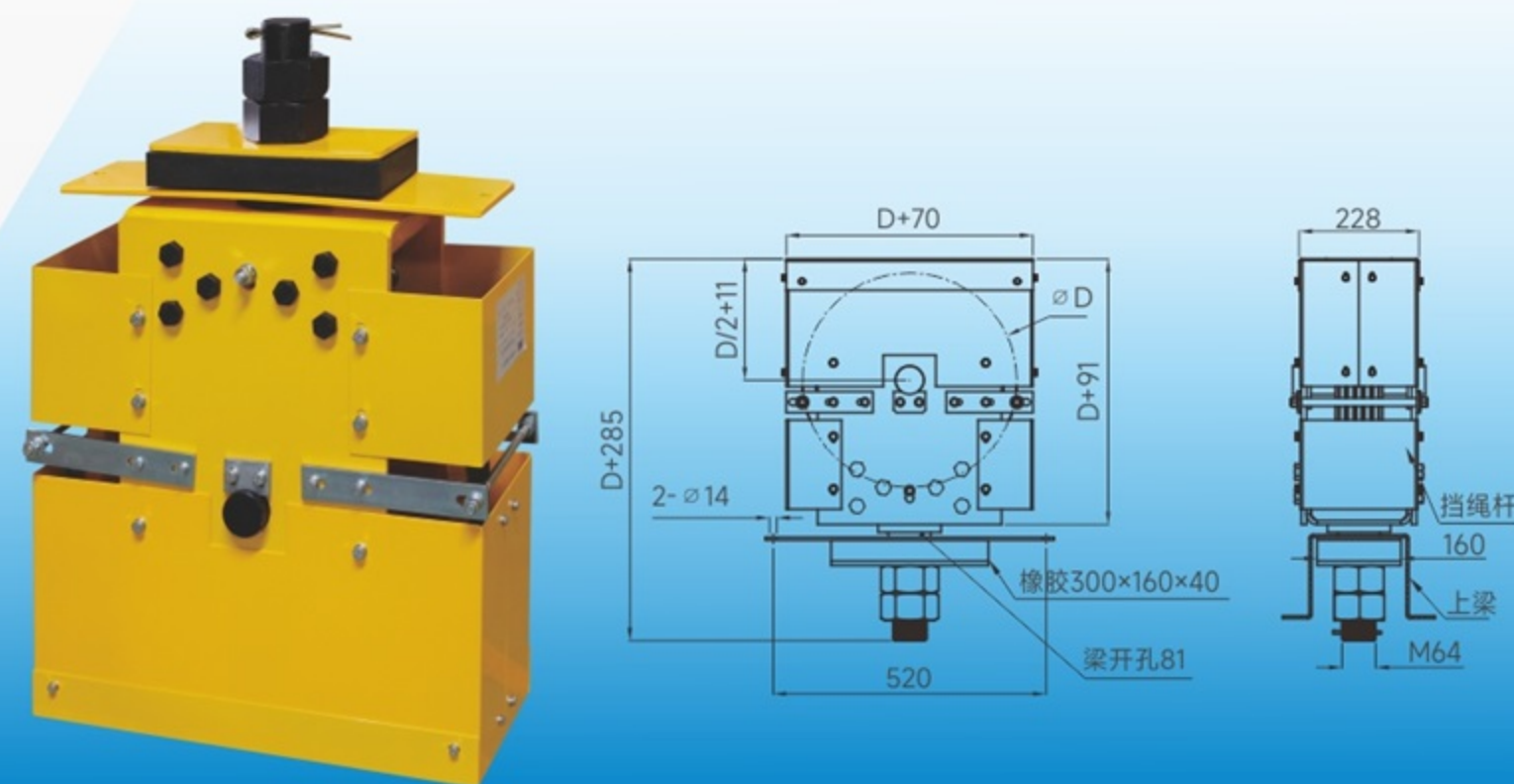


HH229-B

单轮轿顶轮装置
(橡胶型)

技术参数

- 额定速度: $V \leq 2.5\text{m/s}$
- 总允许质量(P+Q): $\leq 6500\text{kg}$



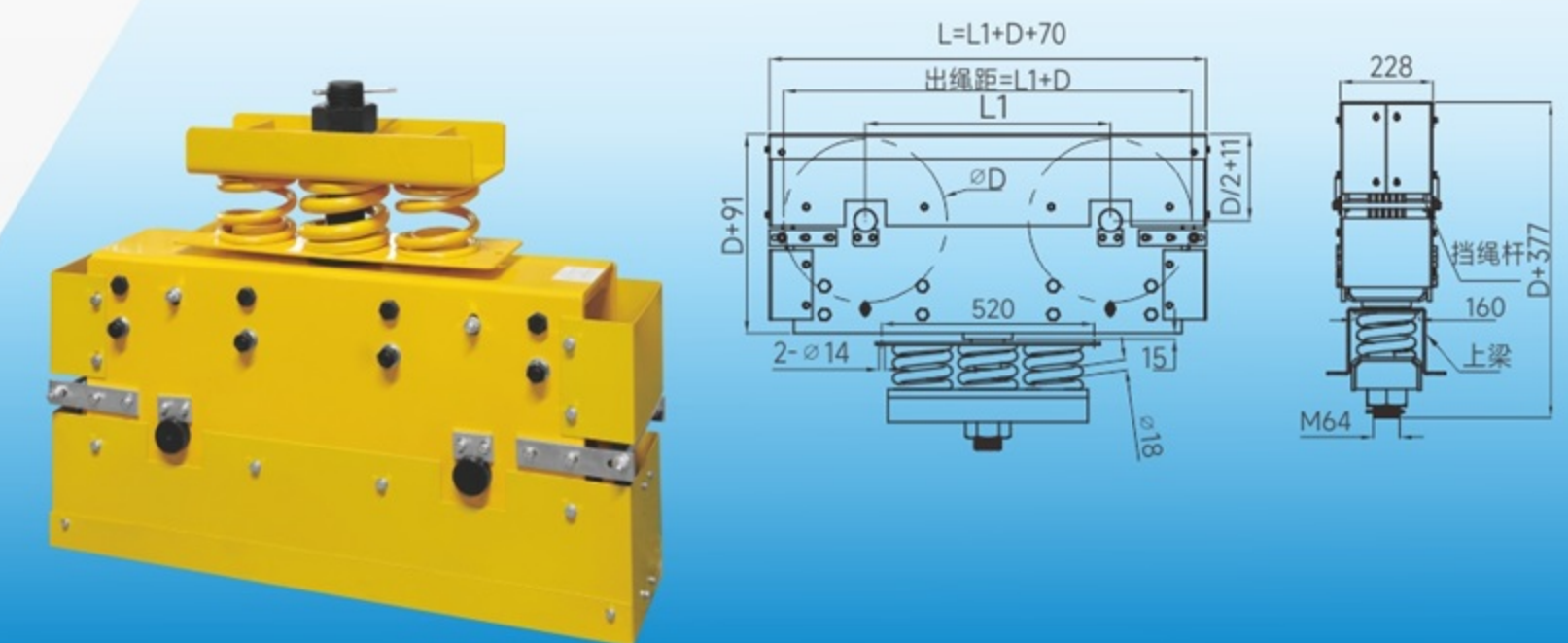
专利号: CN201721833603.5

HH230-A

双轮轿顶轮装置(弹簧型)

技术参数

- 额定速度: $V \leq 2.5\text{m/s}$
- 总允许质量(P+Q): $\leq 3600\text{kg}$



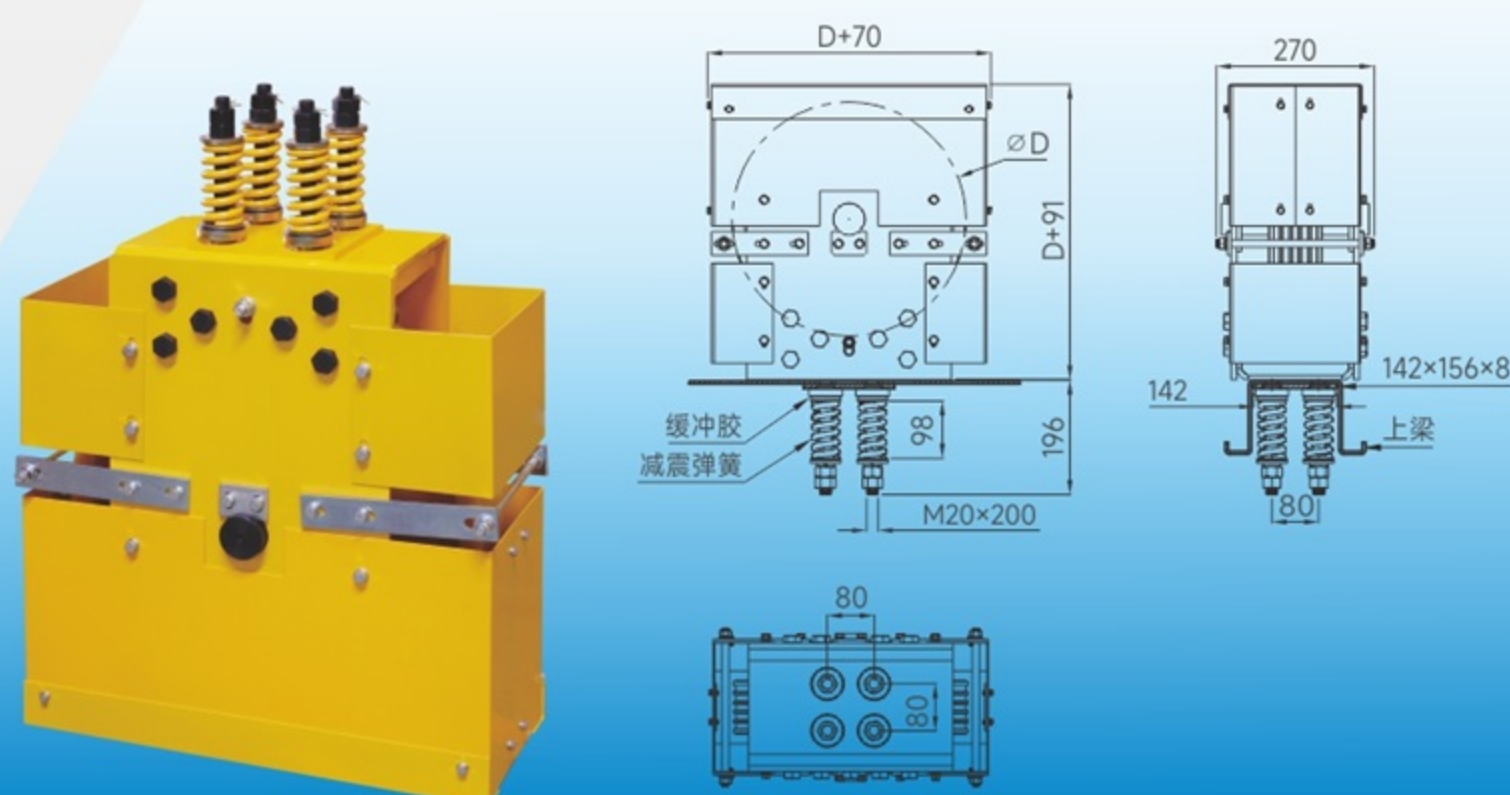
专利号: CN202023068840.1

HH229-C

单轮轿顶轮装置
(四支螺杆橡胶弹簧型)

技术参数

- 额定速度: $V \leq 2.5\text{m/s}$
- 总允许质量(P+Q): $\leq 2800\text{kg}$

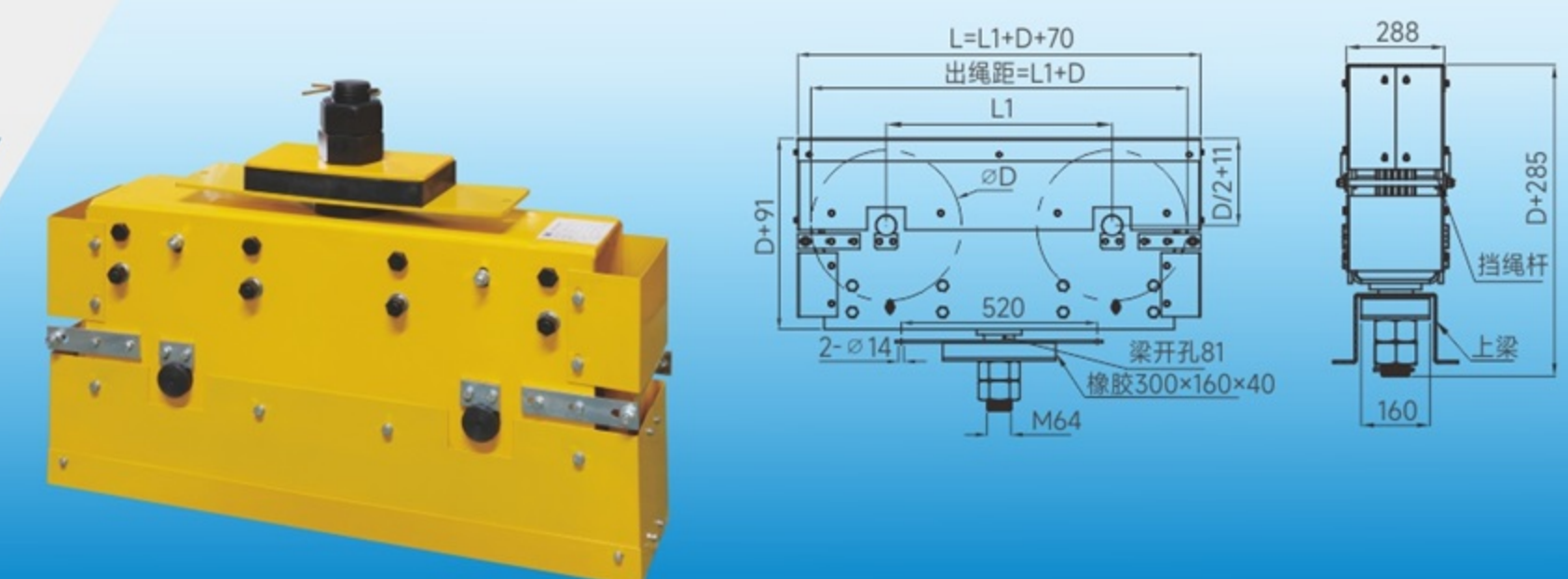


HH230-B

双轮轿顶轮装置(橡胶型)

技术参数

- 额定速度: $V \leq 2.5\text{m/s}$
- 总允许质量(P+Q): $\leq 6400\text{kg}$

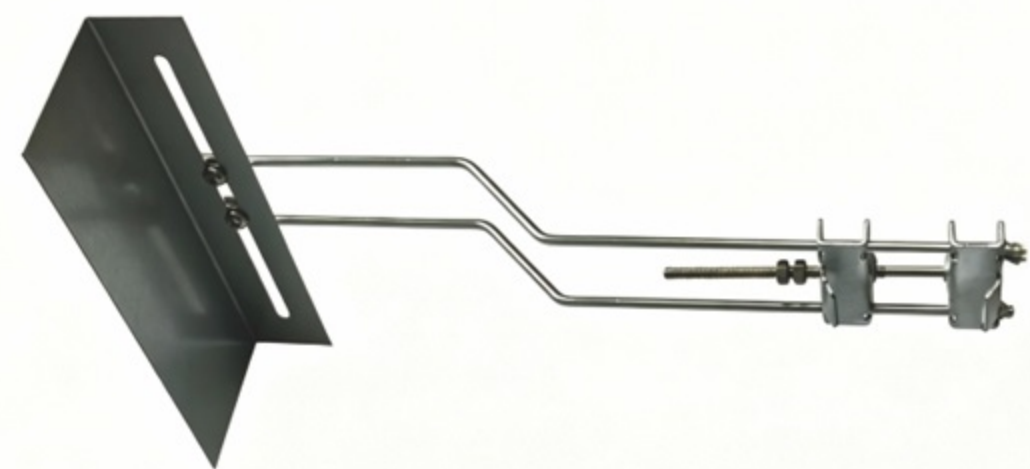




2孔主机胶
2-hole host adhesive



4孔主机胶
4-hole host adhesive



平层支架
Flat bracket



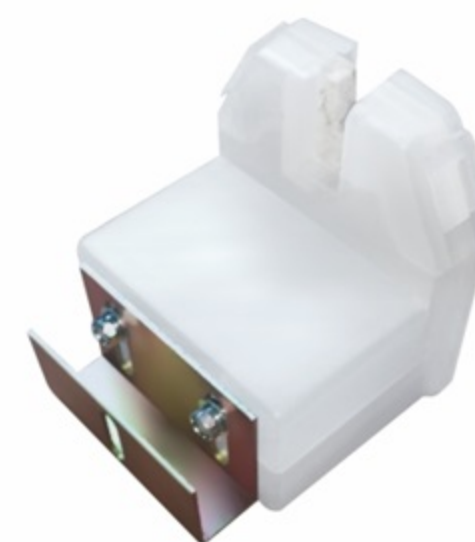
平层支架 (钢板款)
Flat bracket (steel plate type)



F型轿厢底盘限位卡
F-type elevator car chassis limit card



带弹簧型超载胶
Spring type overload adhesive



弯板油杯
Bending plate oil cup



小方油杯
Small square oil cup



圆形接油盒
Circular oil receiving box



轿厢超载胶
Car overload adhesive



拉条卡胶
Pulling strip adhesive



圆油杯
Round oil cup



直板方油杯
Straight plate square oil cup



161A门锁
161A door lock